

The background of the entire page is a dark teal color. It features a pattern of numerous thin, light teal diagonal lines that create a sense of movement and depth. Overlaid on this pattern are several large, semi-transparent circles of varying sizes, also in shades of teal, which add a geometric and organic feel to the design.

Optics
Shinland

Each Ray is brighter in Shinland

SL-069B

Details

Material:	URC2500
Cover Material:	PC
Process:	Vaccum Aluminum Plating PC
MAX Diameter:	69.0mm
Height:	45.5mm
Matched Holder:	SL-HD-A/SL-HD-B
Matched Cover:	SL-069-CLEAR-LENS/SL-069-MIXING-LENS
ROSH Compliant:	YES
Status:	Ready

Optical Properties

Code	Typ. Angle	Typ. efficiency
SL-06918B	18°	91%
SL-06928B	28°	91%
SL-06942B	42°	91%

Matched LED Source

CXM-18

Vero18
V15 Gen6
V18 Gen6

1208

Soleriq S19

XTM-19

LC026B
LC033B

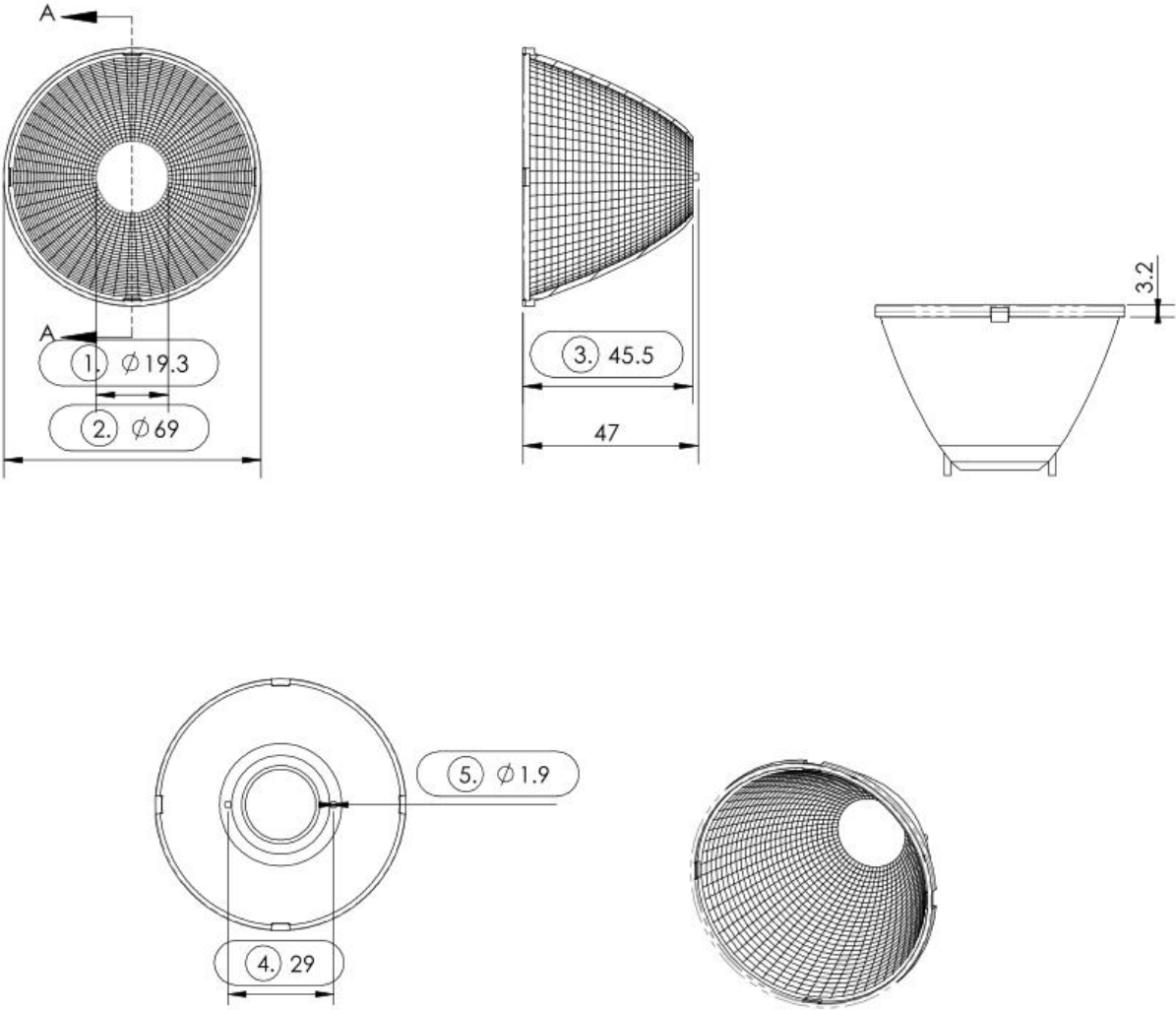
EDC-57C-30

Photo



Dimensional Figure SL-069B

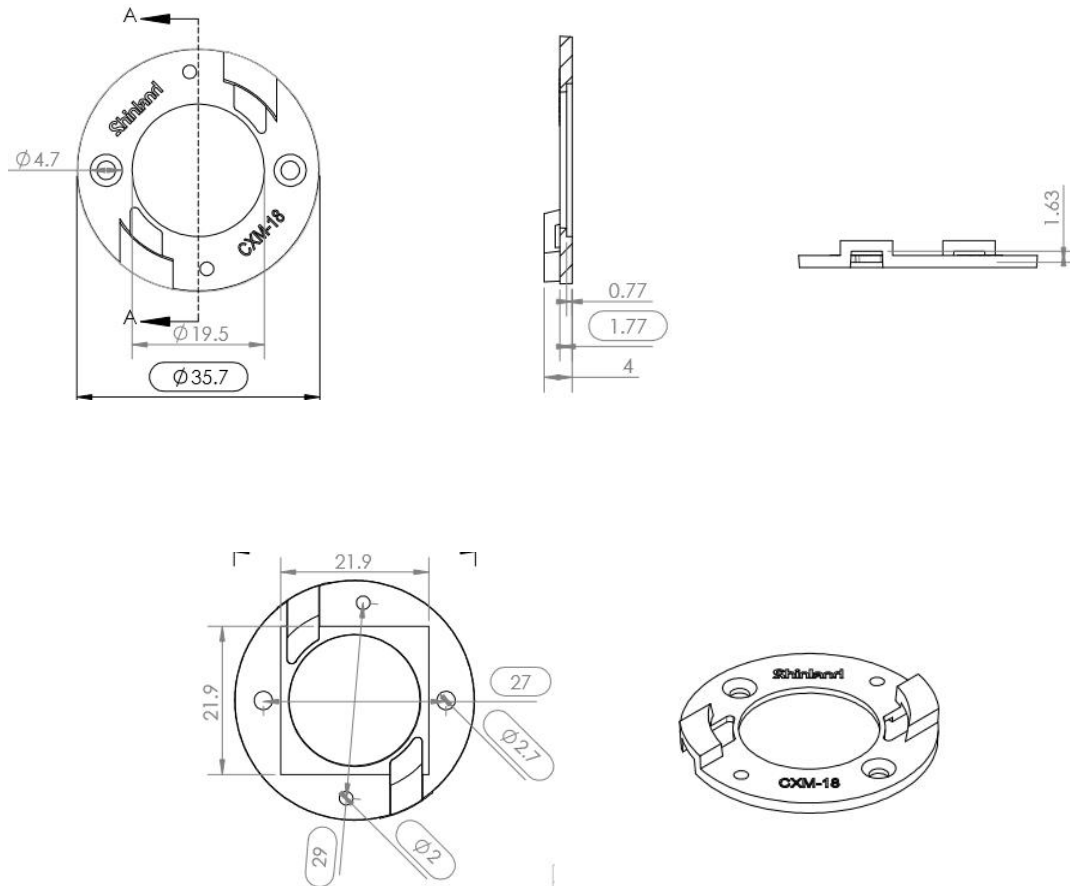
Measure Unit: mm



Dimensional Figure

SL-CXM-18-HD-A

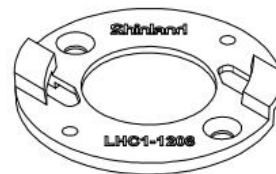
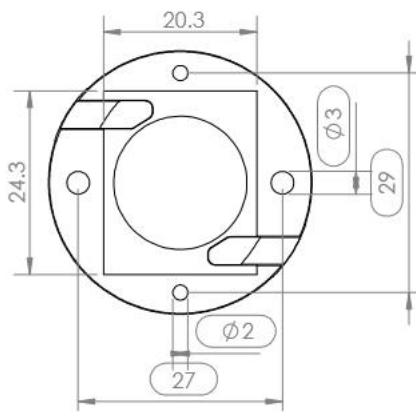
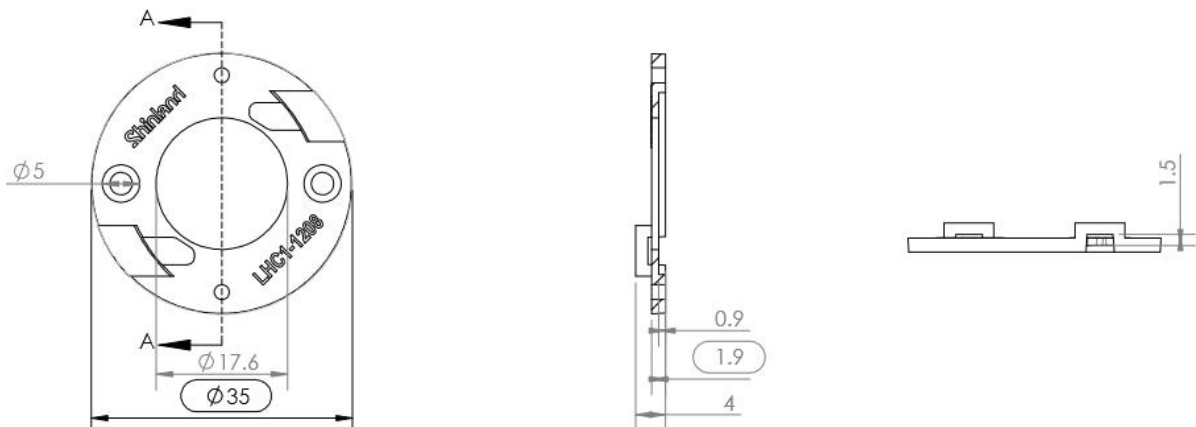
Measure Unit: mm



Dimensional Figure

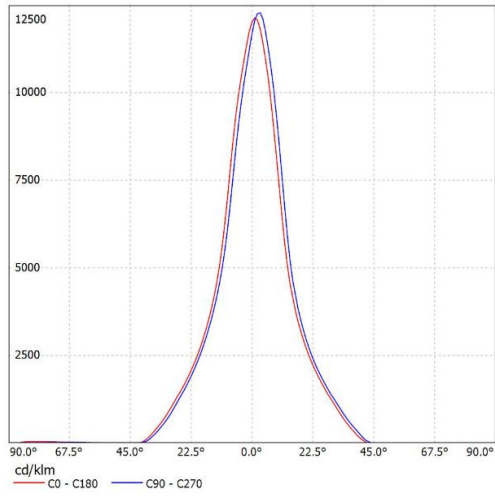
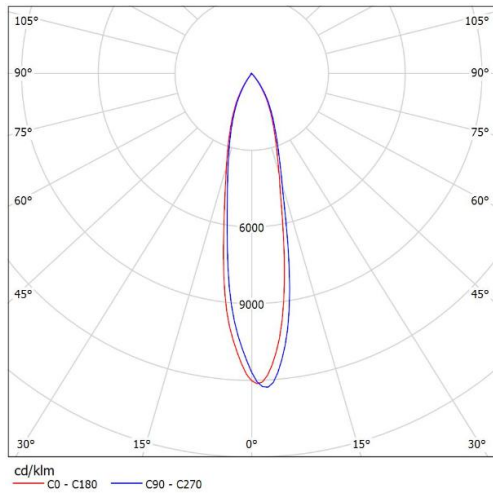
SL-1208-HD-A

Measure Unit: mm

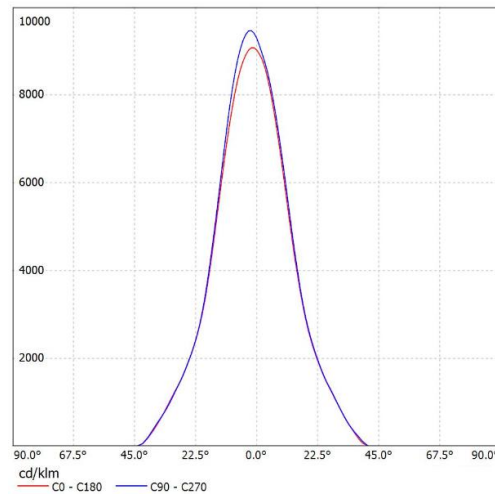
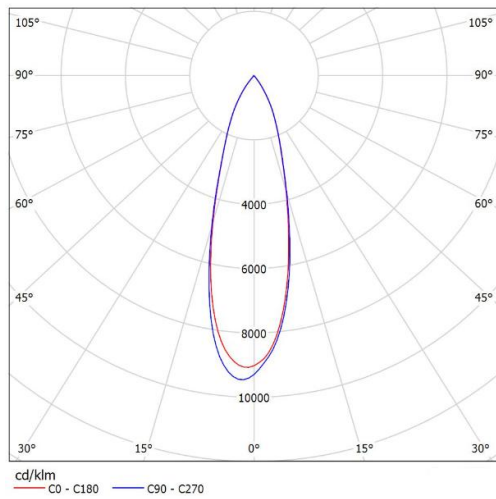


Distribution Curve Flux

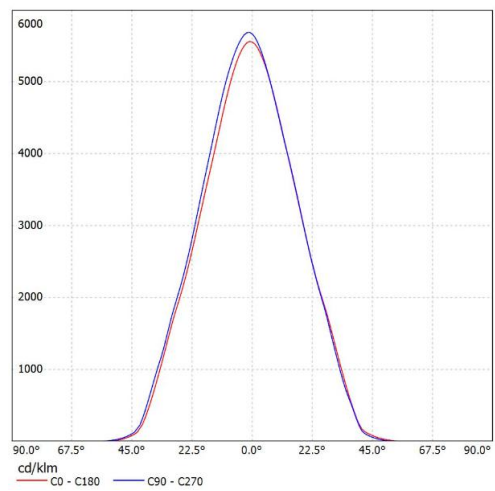
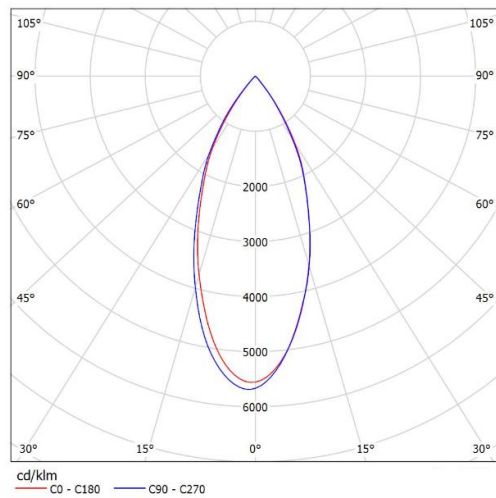
SL-069B&SL-CXM-18-HD-A



SL-06918B
K:3.91cd/lm,LED:CXM-18



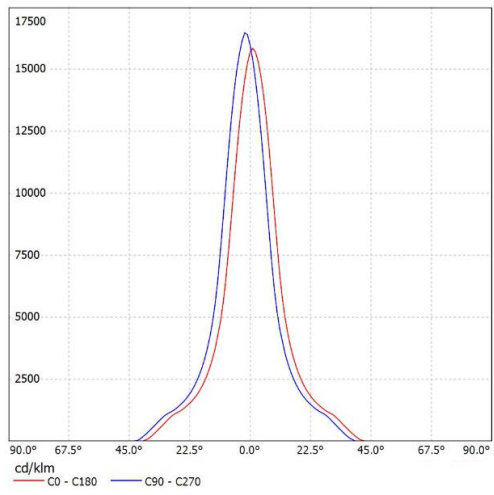
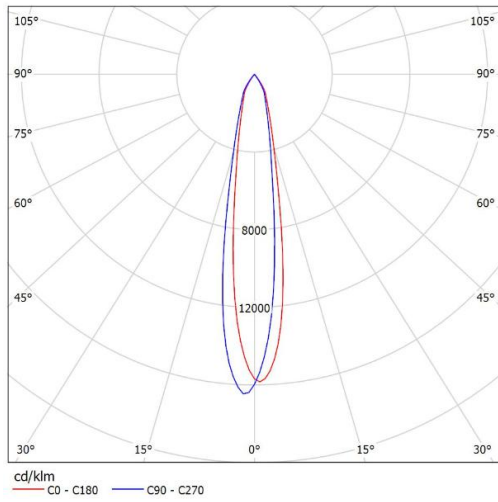
SL-06928B
K:2.97cd/lm,LED:CXM-18



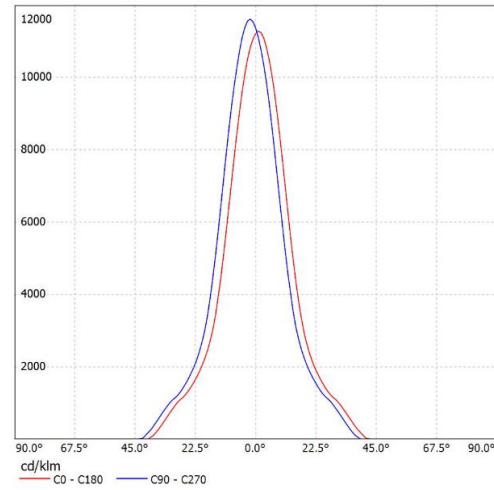
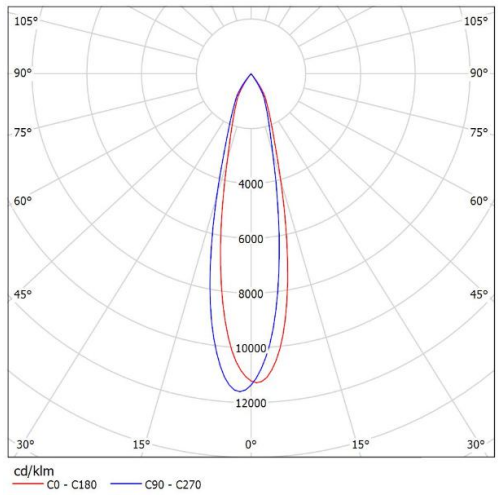
SL-06942B
K:1.77cd/lm,LED:CXM-18

Distribution Curve Flux

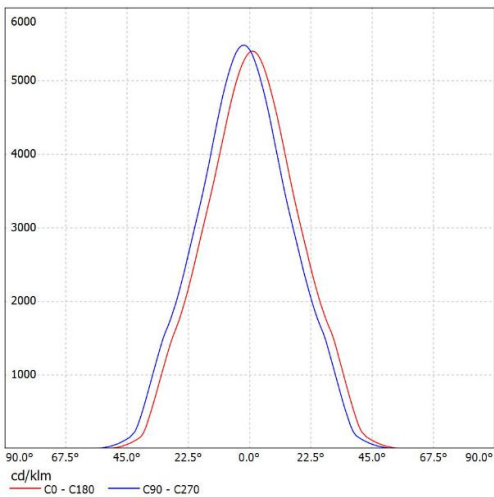
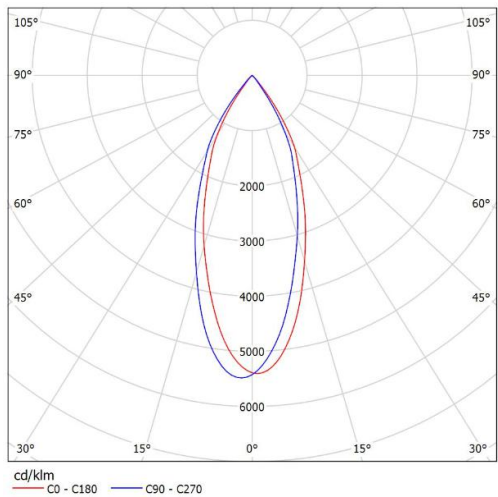
SL-069B&SL-1208-HD-A



SL-06918B
K:5.46cd/lm,LED:1208



SL-06928B
K:3.88cd/lm,LED:1208



SL-06942B
K:1.87cd/lm,LED:1208

Package Description

SL-069B

Part NO.	Without pc cover		With pc cover		Box Size(cm)
	Number per Box (pcs)	Box Weigh(kg)	Number per Box (pcs)	Box Weigh(kg)	
SL-06918B	256	6.43	288	6.53	65 X 40 X 28
SL-06928B	256	6.60	288	6.50	65 X 40 X 28
SL-06942B	256	6.65	288	6.60	65 X 40 X 28

Notes

- It is not allowed to scrub the reflective surface. If there is dust on the surface, please clean by soft cotton with little water.
 - It is forbidden to clean with industrial solvent such as ethanol.
 - Storage temperature: 0°C-40°C, and humidity:30%-95%.
 - Recommended operating temperature (PC) is <100°C.
 - Keep reflectors in package to void the dust.
 - Prohibit the reflector touch with acid or alkaline solvent
-

About Shinland

Shenzhen Shinland Co. Ltd,one of the longest and most professional company in lighting optical field,have 20 years experience.Different from other factory which only have simple process, all aspects included R&D,making mold,injection molding ,vacuum coating and market support are our company own vertically integrated production .

Insisting on 'Quality First, Service First' and pragmatic, enterprising spirit,building the market by quality, casting our brand by credibility and integrity ,Shinland now become the leading supplier of lighting optical solution in China.