

The logo for Shinland Optics is positioned in the upper right quadrant. It features the word "Shinland" in a large, white, sans-serif font, with a small blue dot above the 'i'. The word "Optics" is written in a smaller, white, sans-serif font directly above the 'd' in "Shinland".

Optics
Shinland

The slogan "Each Ray is brighter in Shinland" is located in the bottom right corner of the page. It is written in a small, white, sans-serif font. The background of the entire page is a dark teal color with a pattern of lighter teal diagonal lines and several large, semi-transparent teal circles of varying sizes.

SL-069E

Details

Material:	URC2500
Cover Material:	PC
Process:	Vaccum Aluminum Plating PC
MAX Diameter:	69.0mm
Height:	45.5mm
Matched Holder:	SL-HD-A
Matched Cover:	SL-069-CLEAR-LENS/SL-069-MIXING-LENS
ROSH Compliant:	YES
Status:	Ready

Optical Properties

Code	Typ. Angle	Typ. efficiency
SL-06916E	16°	91%
SL-06924E	24°	91%
SL-06938E	38°	91%

Matched LED Source

CXM-14

CHM-14

CXA18

V13 Gen6

Vero13

1204/1205

LC020C

LC040C

EDC-47C

EDC-57C-20

NVCxL024Z

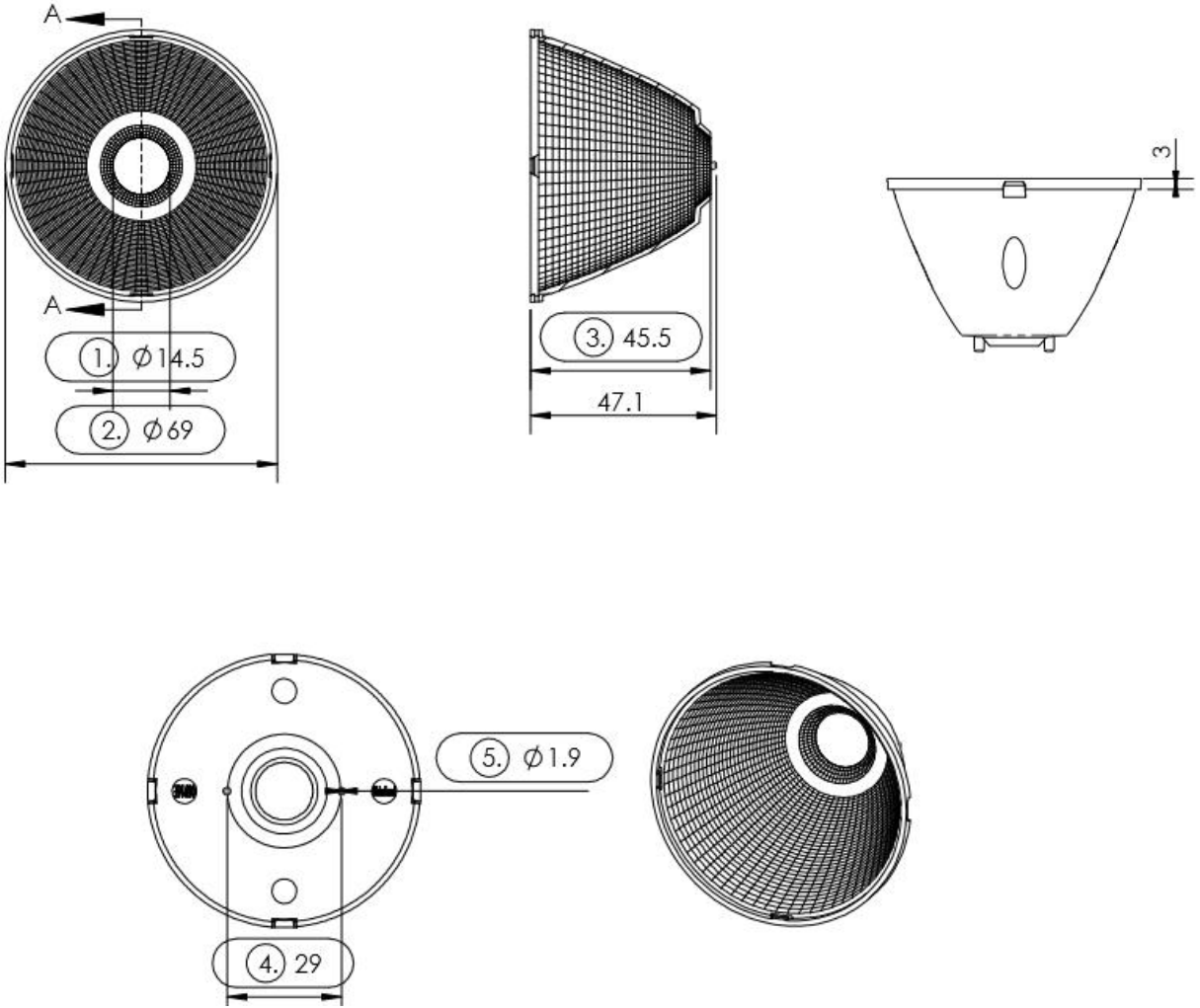
NFCxL060B

Photo



Dimensional Figure SL-069E

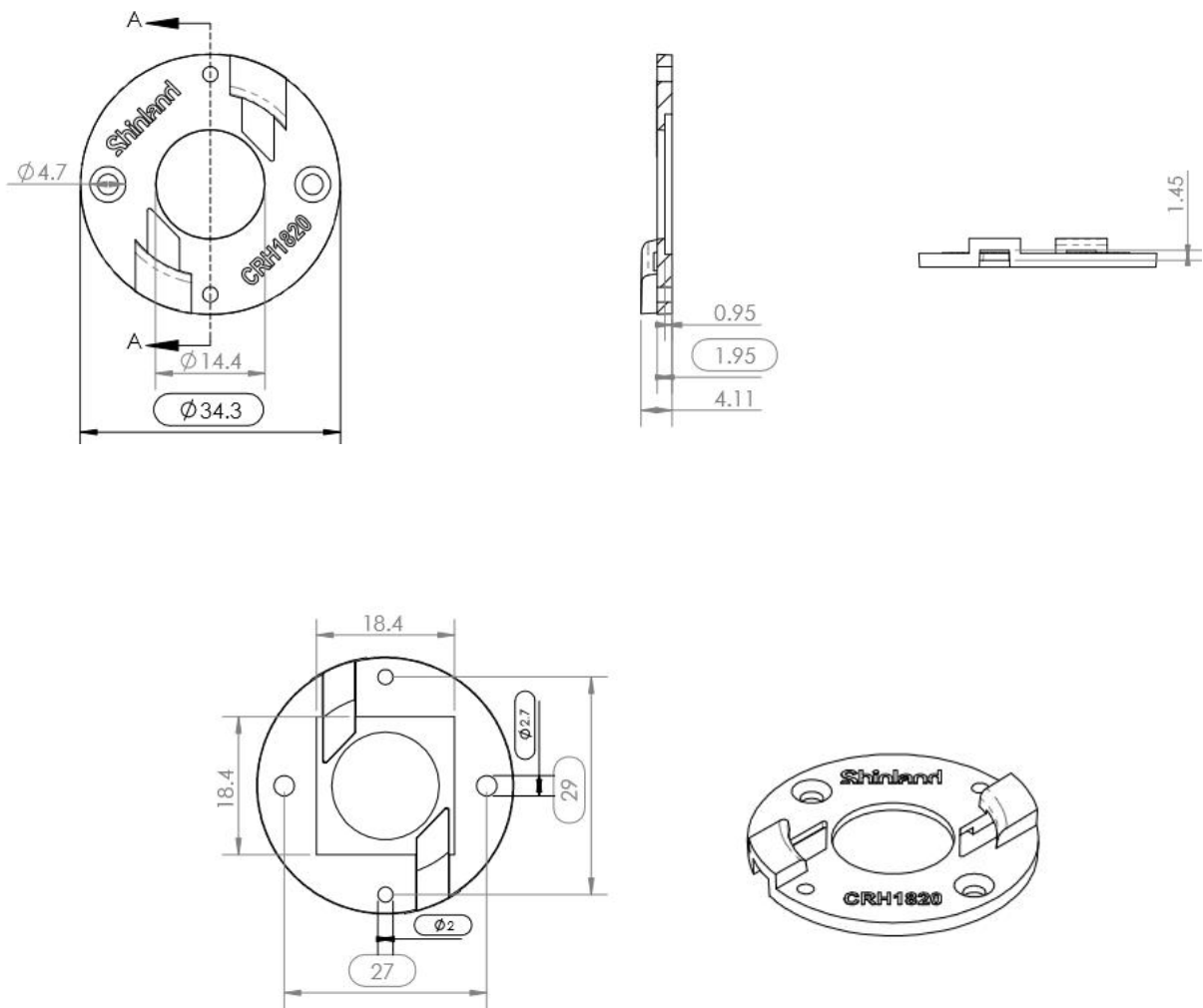
Measure Unit: mm



Dimensional Figure

SL-CXA1820-HD-A

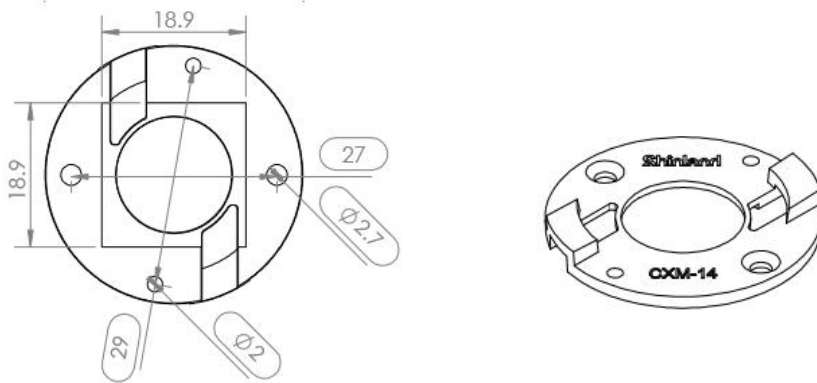
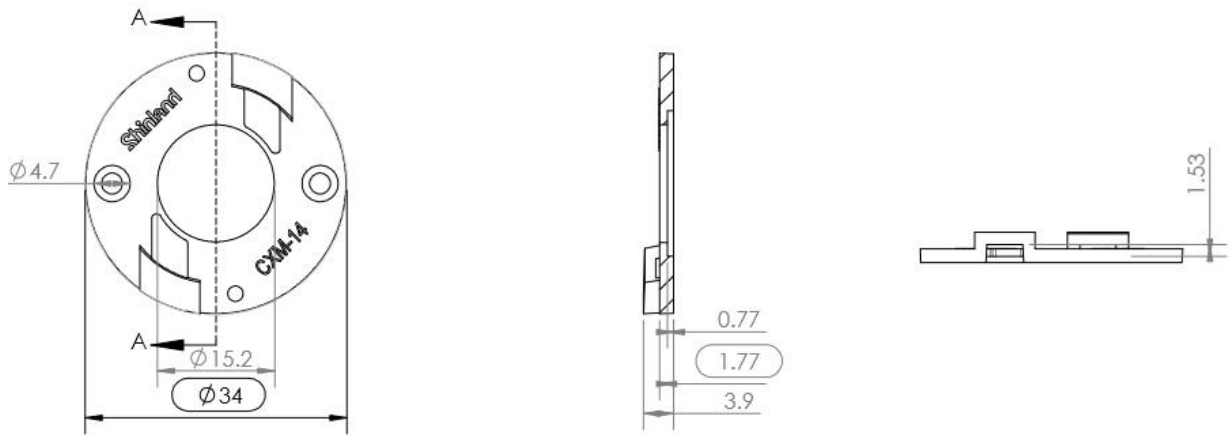
Measure Unit: mm



Dimensional Figure

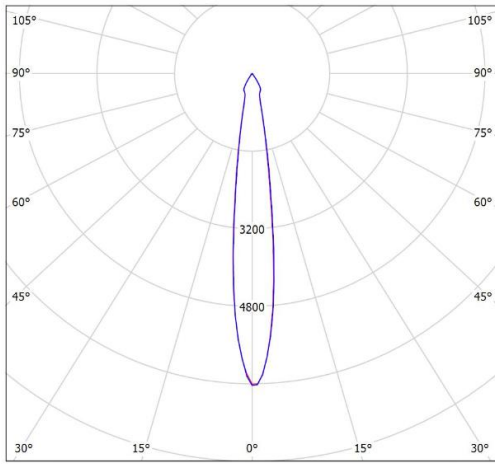
SL-CXM-14-HD-A

Measure Unit: mm

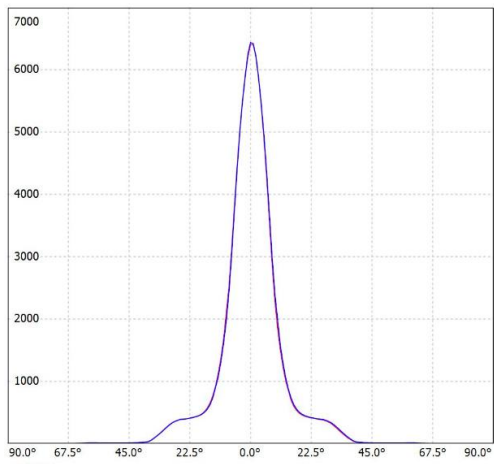


Distribution Curve Flux

SL-069E&SL-CXA1820-HD-A

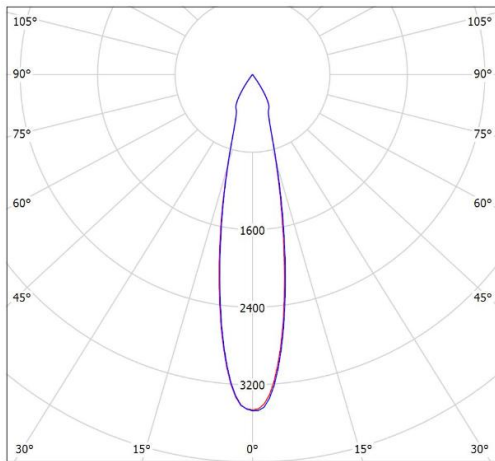


cd/klm
C0 - C180 C90 - C270

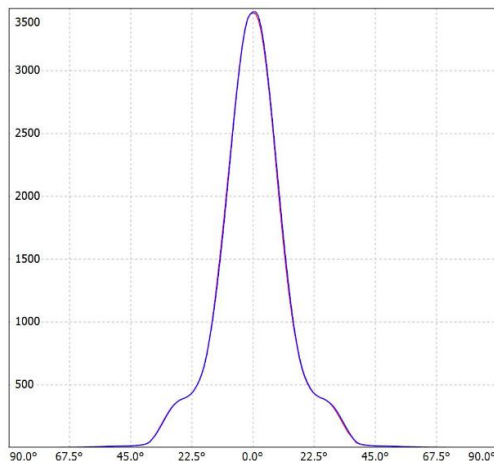


cd/klm
C0 - C180 C90 - C270

SL-06916E
K:3.91cd/lm,LED:CXA1820

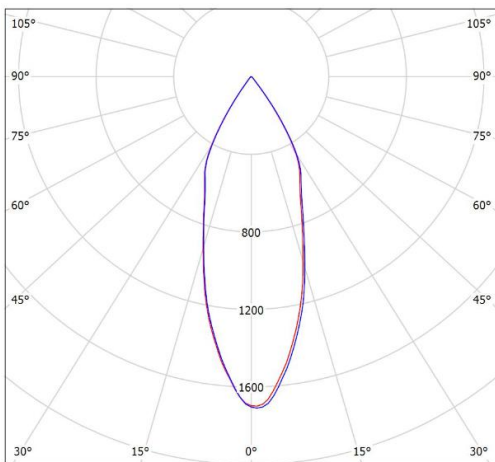


cd/klm
C0 - C180 C90 - C270

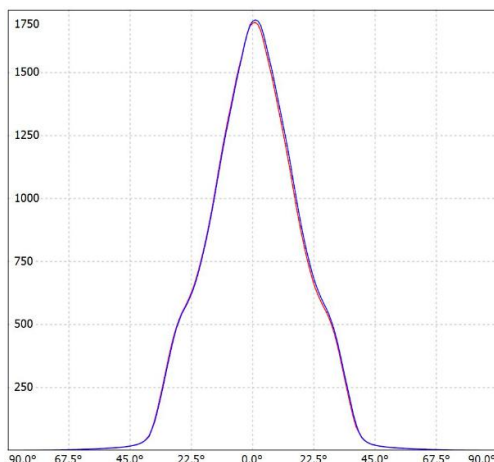


cd/klm
C0 - C180 C90 - C270

SL-06924E
K:2.97cd/lm,LED:CXA1820



cd/klm
C0 - C180 C90 - C270

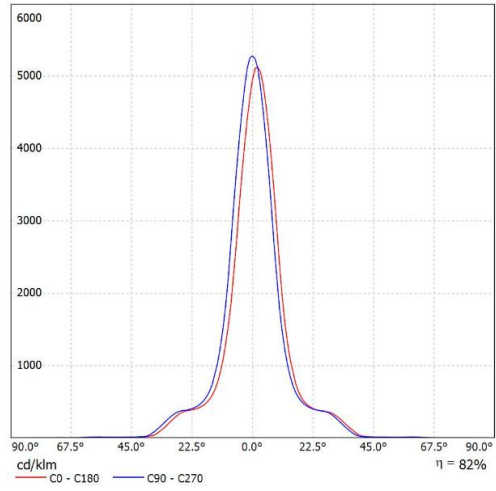
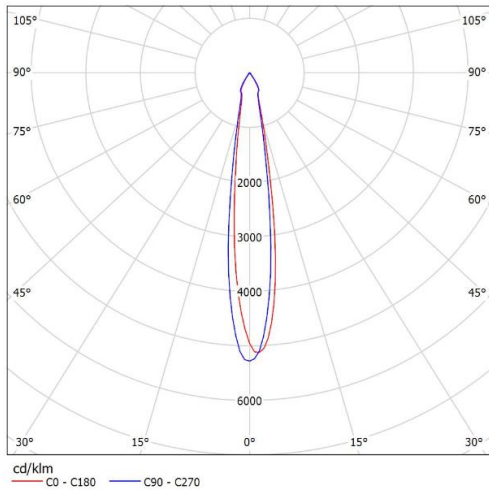


cd/klm
C0 - C180 C90 - C270

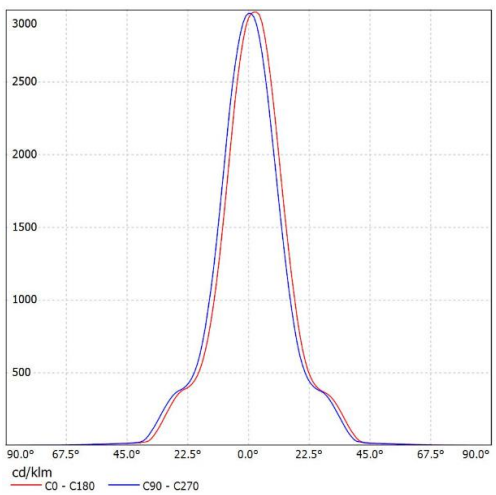
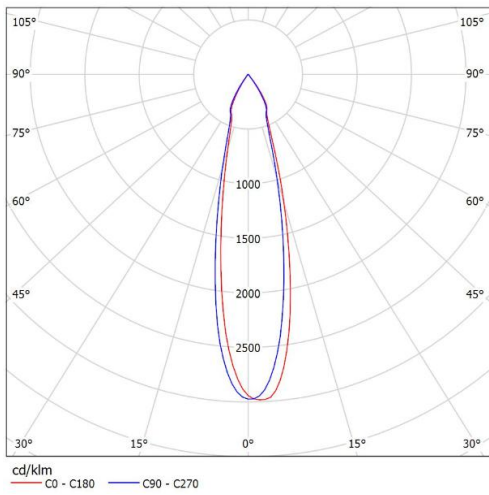
SL-06938E
K:1.77cd/lm,LED:CXA1820

Distribution Curve Flux

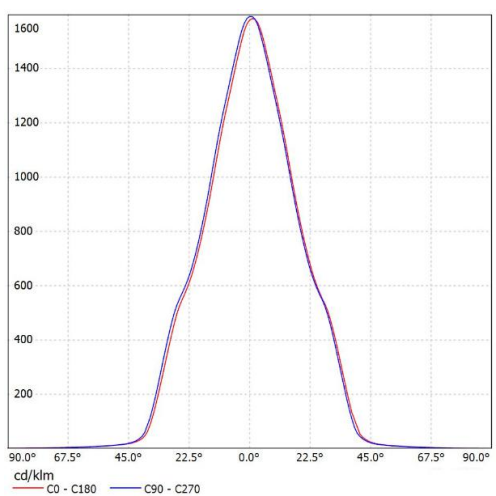
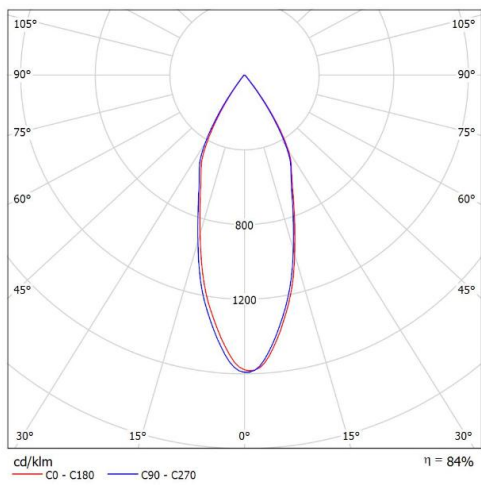
SL-069E&SL-CXM-14-HD-A



SL-06916E
K:6.44cd/lm,LED:CXM-14



SL-06924E
K:3.69cd/lm,LED:CXM-14



SL-06938E
K:1.90cd/lm,LED:CXM-14

Package Description

SL-069E

Part NO.	Without pc cover		With pc cover		Box Size(cm)
	Number per Box (pcs)	Box Weigh(kg)	Number per Box (pcs)	Box Weigh(kg)	
SL-06916E	256	6.80	288	6.75	65 X 40 X 28
SL-06924E	256	6.88	288	6.80	65 X 40 X 28
SL-06938E	256	6.85	288	6.85	65 X 40 X 28

Notes

- It is not allowed to scrub the reflective surface. If there is dust on the surface, please clean by soft cotton with little water.
 - It is forbidden to clean with industrial solvent such as ethanol.
 - Storage temperature: 0°C-40°C, and humidity:30%-95%.
 - Recommended operating temperature (PC) is <100°C.
 - Keep reflectors in package to void the dust.
 - Prohibit the reflector touch with acid or alkaline solvent
-

About Shinland

Shenzhen Shinland Co. Ltd,one of the longest and most professional company in lighting optical field,have 20 years experience.Different from other factory which only have simple process, all aspects included R&D,making mold,injection molding ,vacuum coating and market support are our company own vertically integrated production .

Insisting on 'Quality First, Service First' and pragmatic, enterprising spirit,building the market by quality, casting our brand by credibility and integrity ,Shinland now become the leading supplier of lighting optical solution in China.