

The background is a dark teal color with a pattern of lighter teal diagonal lines and several large, semi-transparent teal circles of varying sizes scattered across the page.

Optics
Shinland

Each Ray is brighter in Shinland

SL-RF-AD-065A

Details

Material:	PC
Process:	Vacuum Aluminum Plating
Diameter:	65mm
Heigh:	35.4mm
Matched Holder:	Shinland's series AD holders
Matched Cover:	SL-PL-AE-065A
Matched lens:	SL-PL-AD-027A-01
ROHS Compliant:	YES
Status:	Ready

Optical Properties

Code	Typ. Angle	Typ. efficiency
SL-RF-AD-065A-S	15°~20°	87%
SL-RF-AD-065A-M	22°~24°	87%
SL-RF-AD-065A-F	34°~37°	86%

Photo



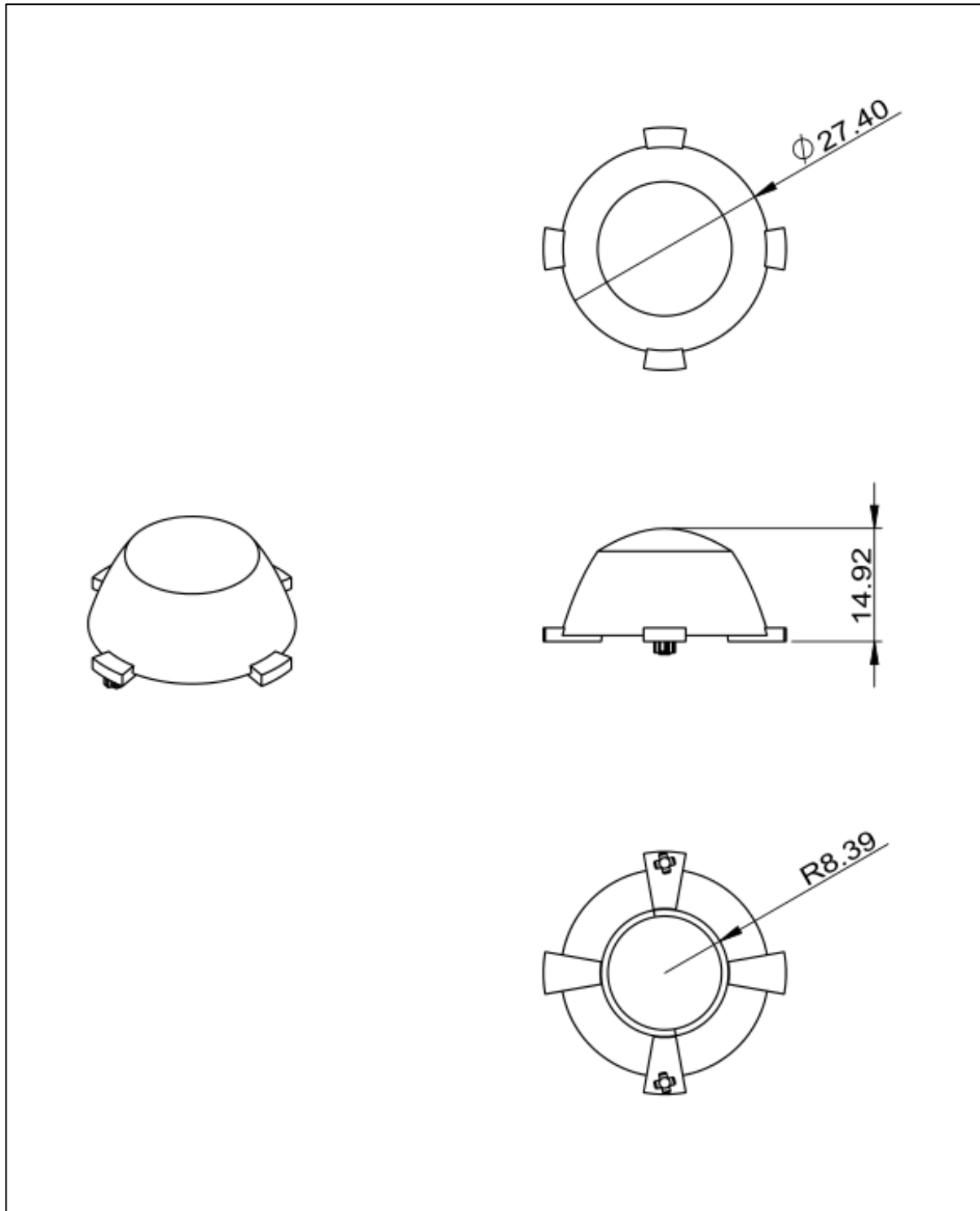
Matched LED type

CLU028
CXA15
1202/1203
G4-10

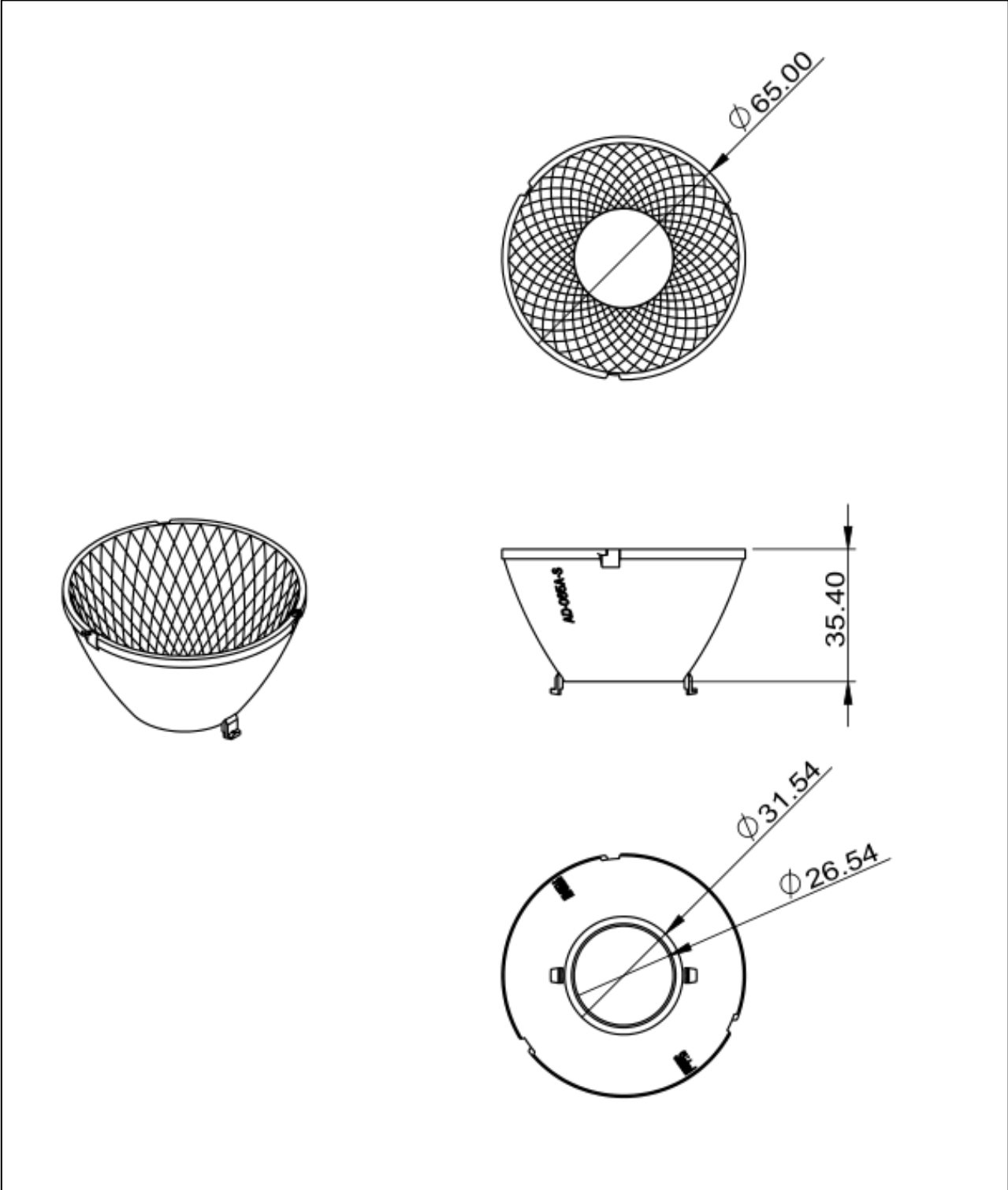
Dimensional Figure

Measure Unit : mm

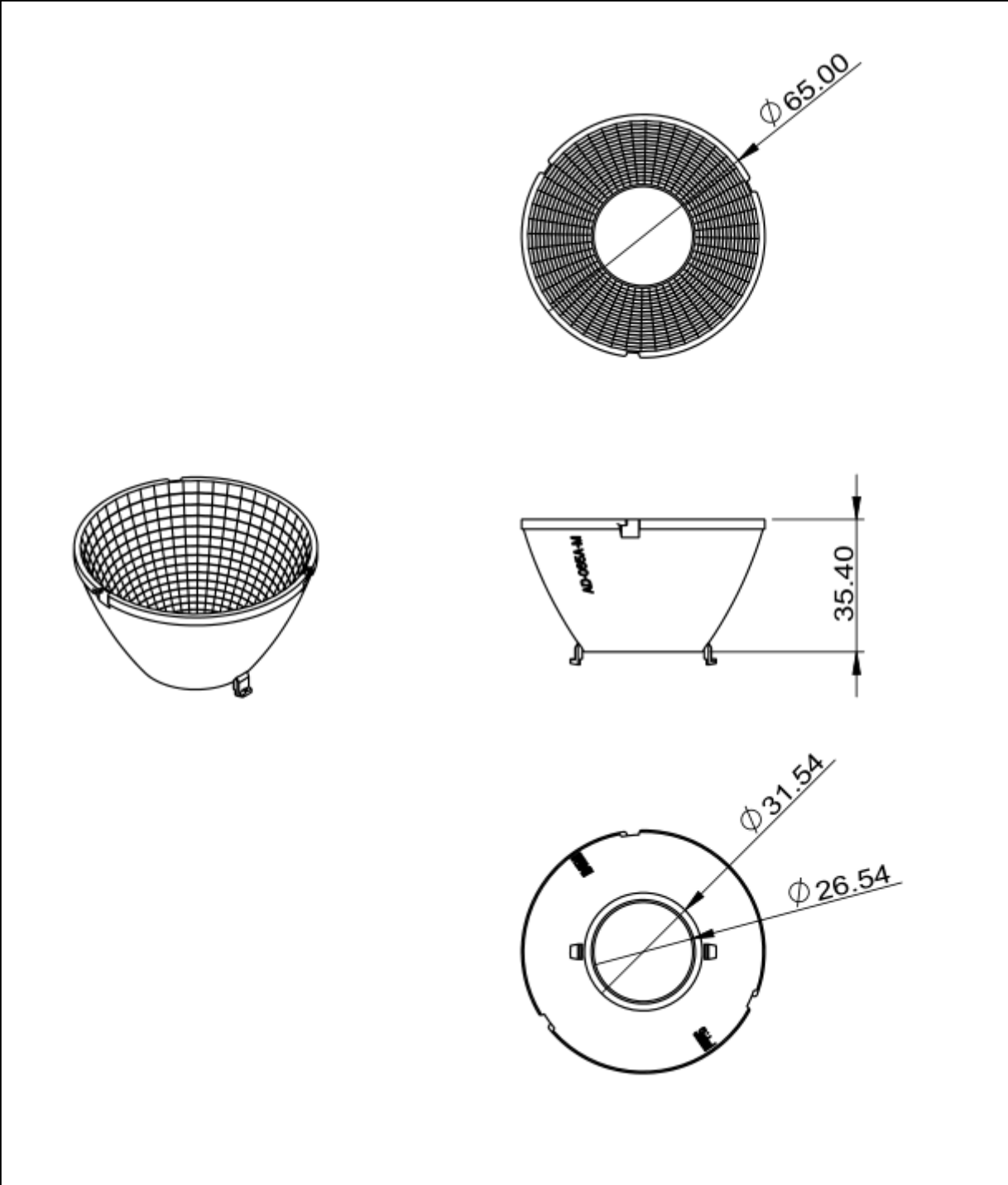
SL-PL-AD-027A-01



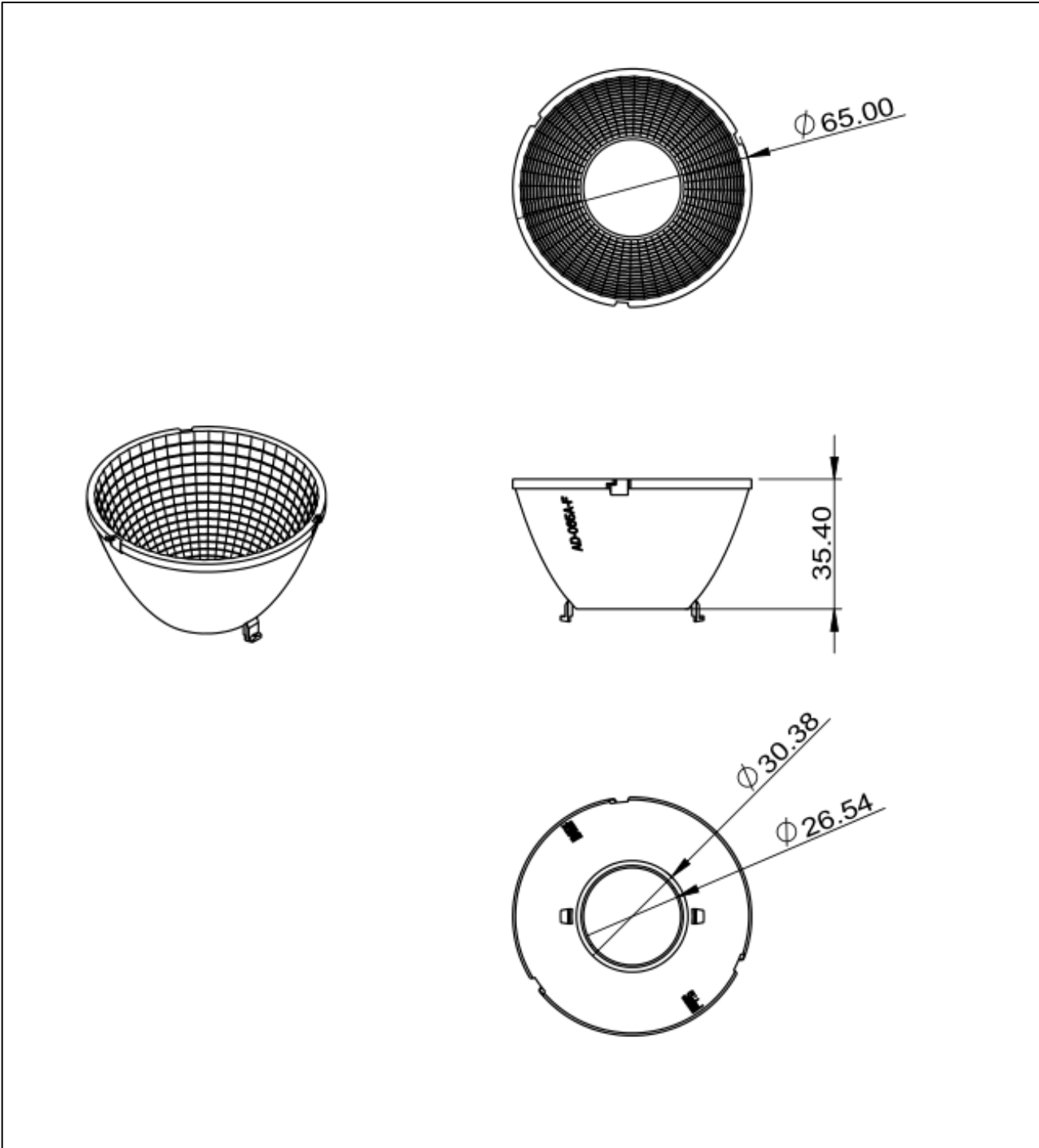
SL-RF-AD-065A-S



SL-RF-AD-065A-M



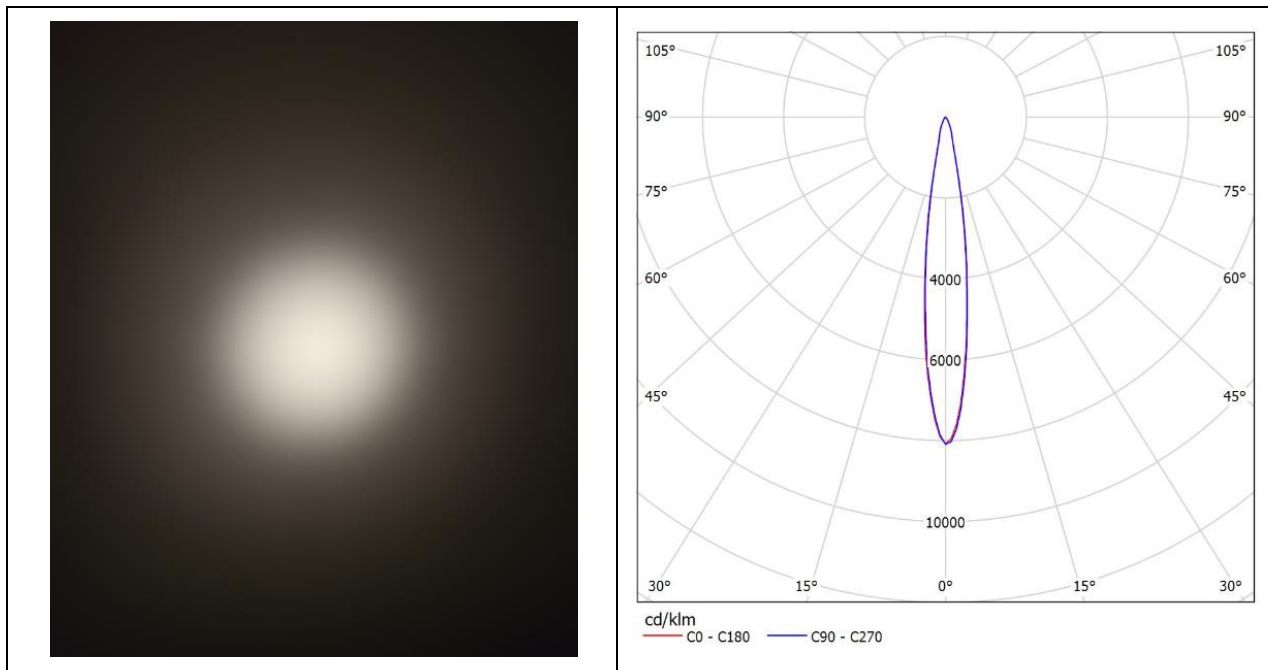
SL-RF-AD-065A-F



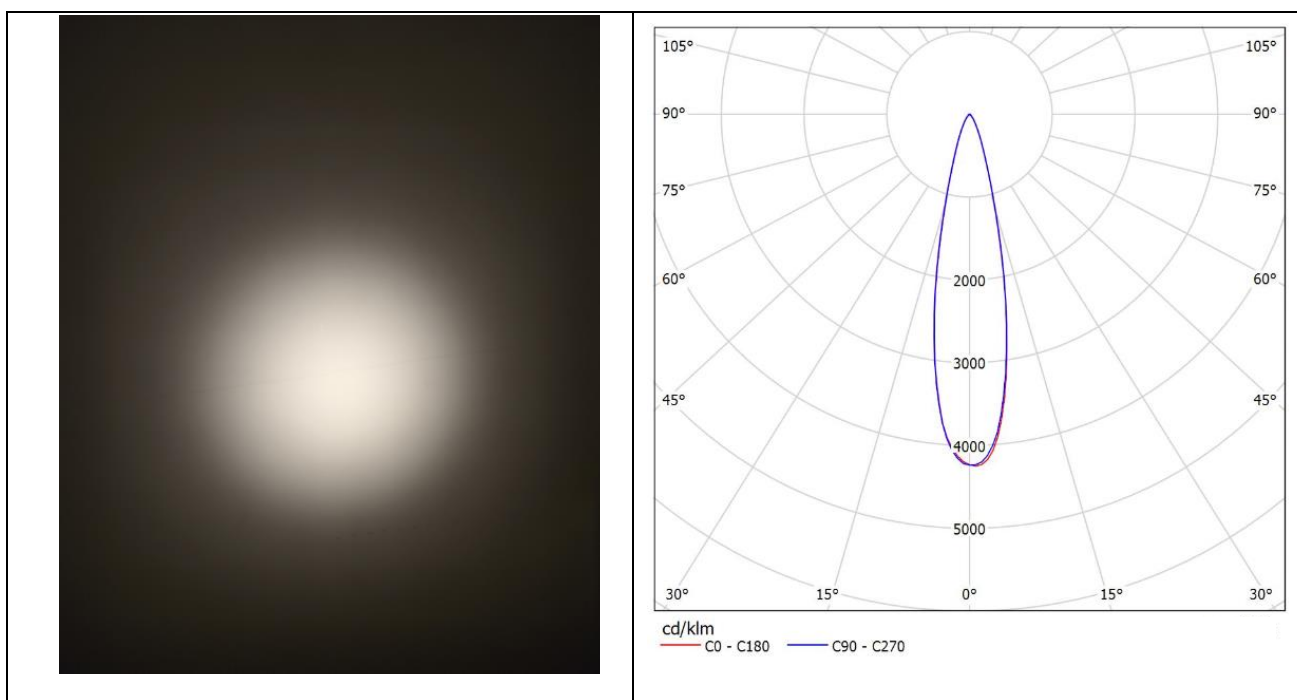
Distribution Curve Flux

Source: CITIZEN CLU028

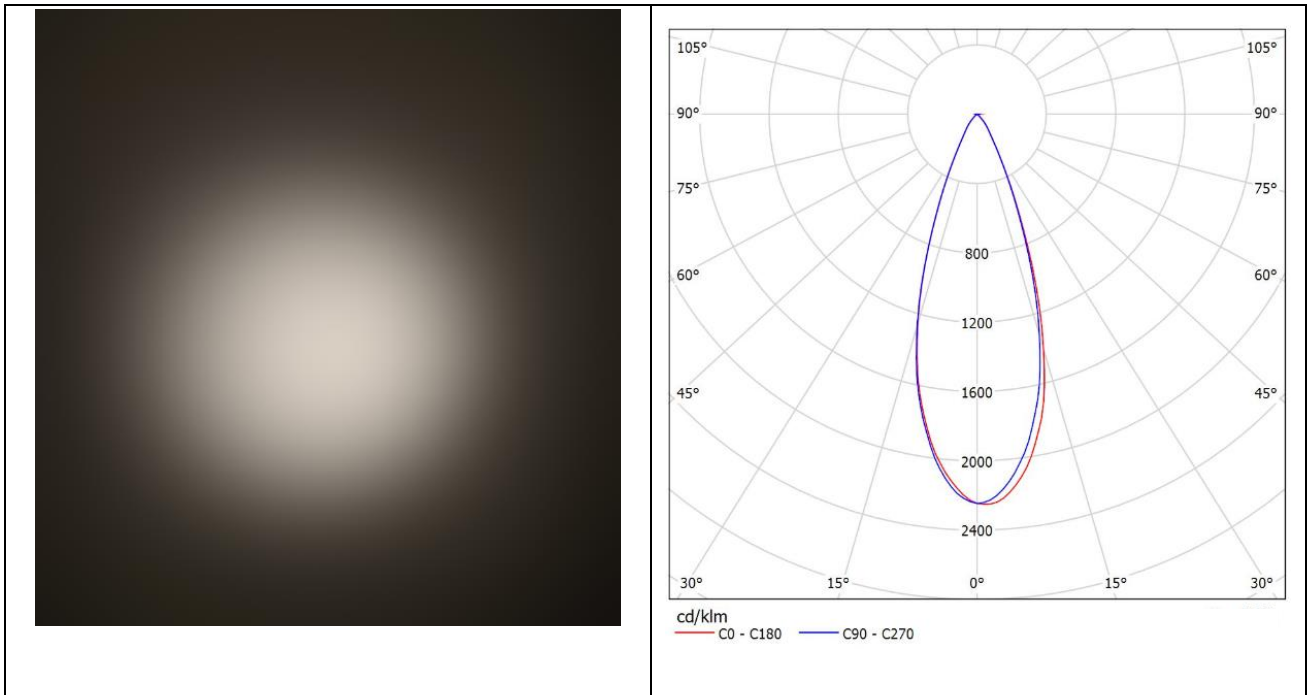
SL-RF-AD-065A-S



SL-RF-AD-065A-M



SL-RF-AD-065A-F



Notes

- It is not allowed to scrub the optical surface. If there is dust on the surface, please clean by soft cotton with little water.
- It is forbidden to clean with industrial solvent such as ethanol.
- Storage temperature: 0°C-40°C, and humidity:30%-95%.
- Recommended operating temperature (PC) is <100°C.
- Keep reflector in package to void the dust.
- Prohibit the reflector touch with acid or alkaline solvent.

About Shinland

Shenzhen Shinland Co. Ltd, one of the longest and most professional company in reflector field, have years experience. Different from other factory which only have simple process, all aspects included R&D, making mold, mass production and market support are achieved by our exclusive resources.

Insisting on “Quality First, Service First” and pragmatic, enterprising spirit, building the market by quality, casting our brand by credibility and integrity, Shinland now become the leading supplier of second-optical solution in China.