



Optics
Shinland

Each Ray is brighter in Shinland

SL-050L

Details

Material:	URC2500
Cover Material:	PC
Process:	Vaccum Aluminum Plating PC
MAX Diameter:	50.0mm
Height:	51.0mm
Matched Holder:	SL-HD-A
Matched Cover:	SL-050-CLEAR- LENS/SL-050-MIXING-LENS
ROSH Compliant:	YES
Status:	Ready

Optical Properties

Code	Typ. Angle	Typ. efficiency
SL-050L-S	8°-13°	80%
SL-050L-M	21°-25°	80%
SL-050L-L	36°-39°	80%

Matched LED Source

CLU028 105
CLU700 1202/1203

CXM-6 G4-10

CHM-6

CXM-7 LC006B

CXM-9 LC010C

CHM-9 LC020C

CXA13 NJCxS024Z

CXA15 NTCxS024B

NFCxL036B

C6

V6

V8

V10 Gen6

V10 Gen7

E8

blx C6

blx C8

Soleriq S9

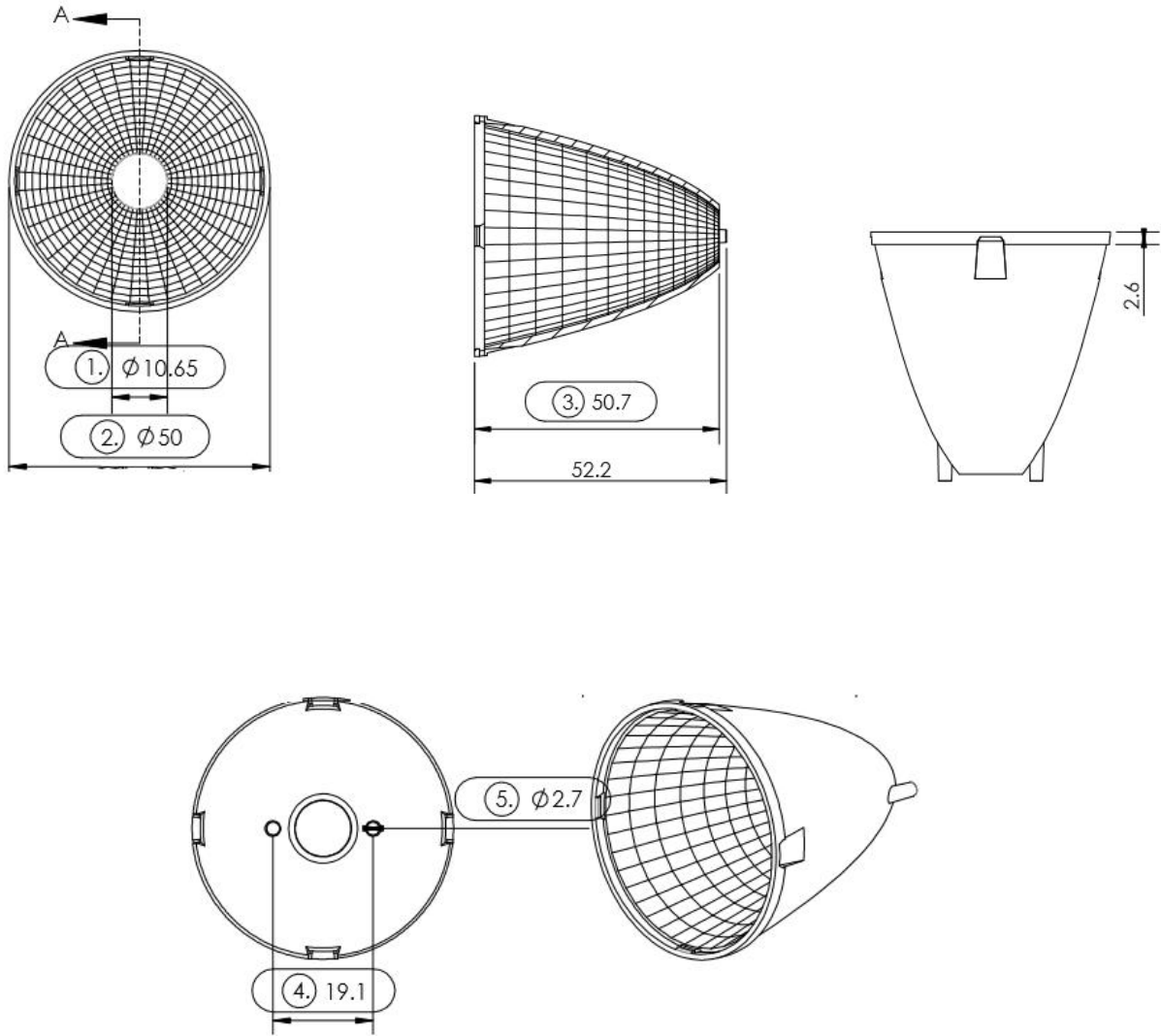
Photo



Dimensional Figure

SL-050L

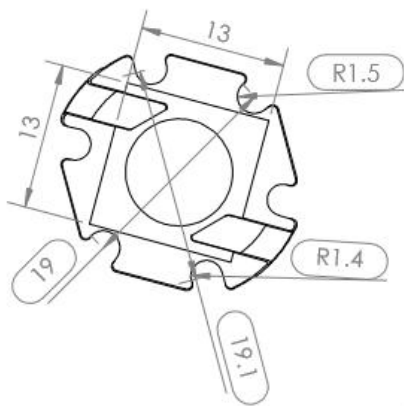
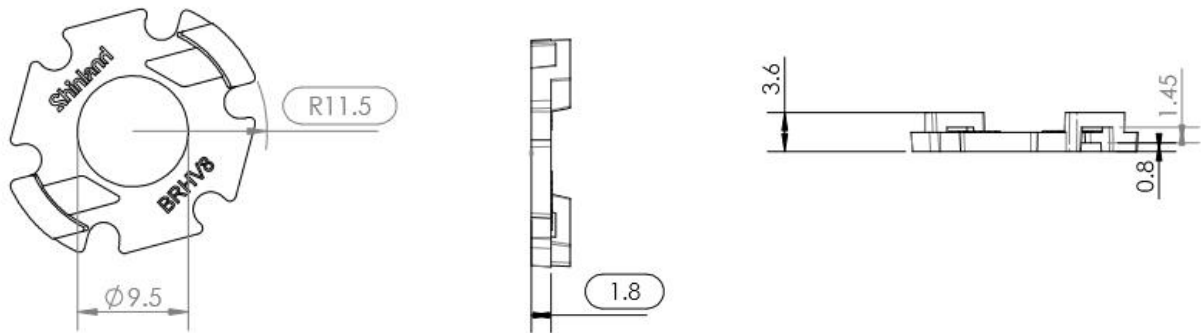
Measure Unit: mm



Dimensional Figure

SL-BRH-V8-HD-A

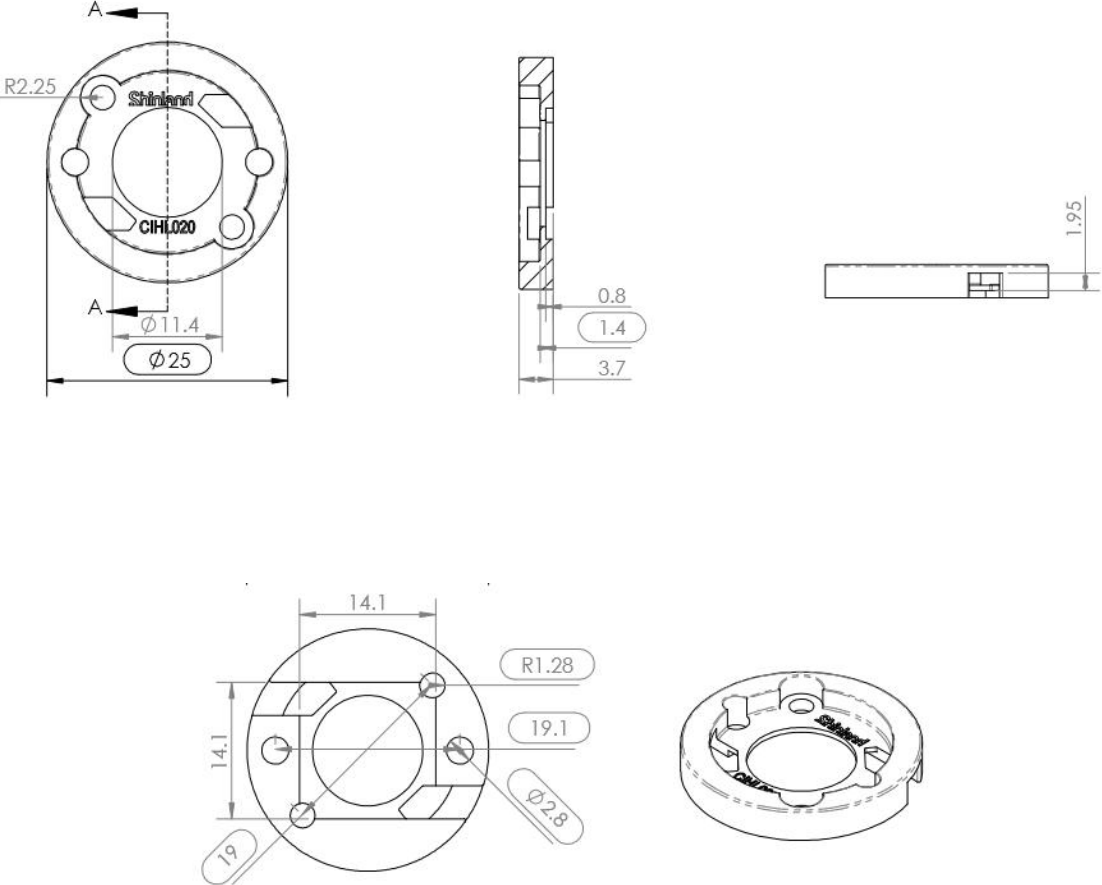
Measure Unit: mm



Dimensional Figure

SL-CLL020-HD-A

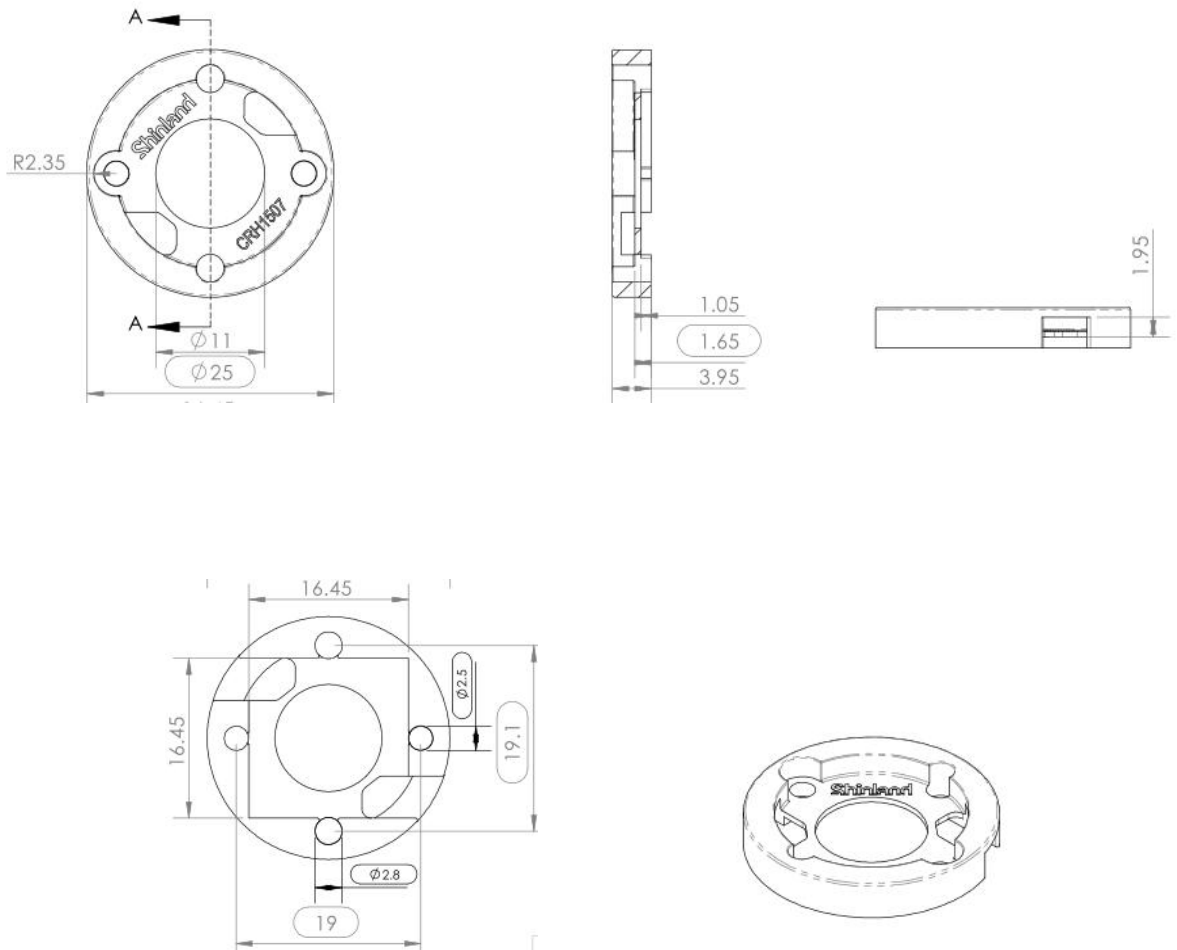
Measure Unit: mm



Dimensional Figure

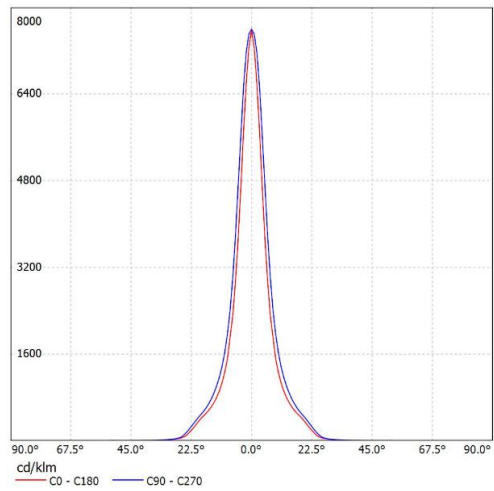
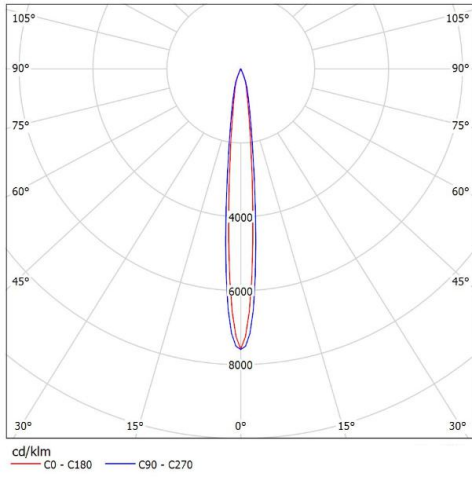
SL-CRH1507-HD-A

Measure Unit: mm

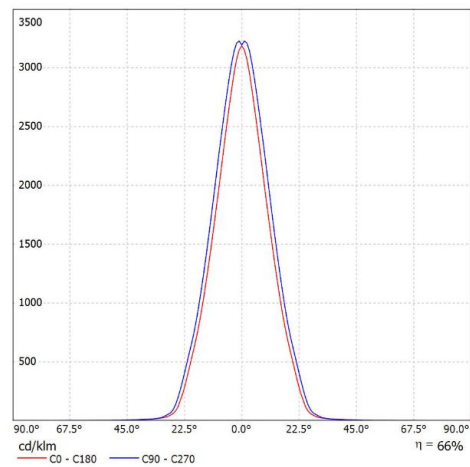
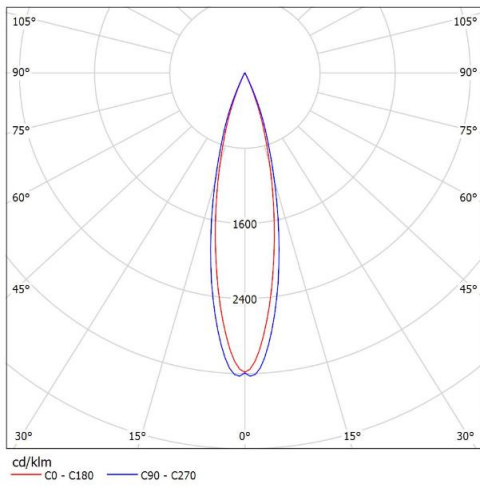


Distribution Curve Flux

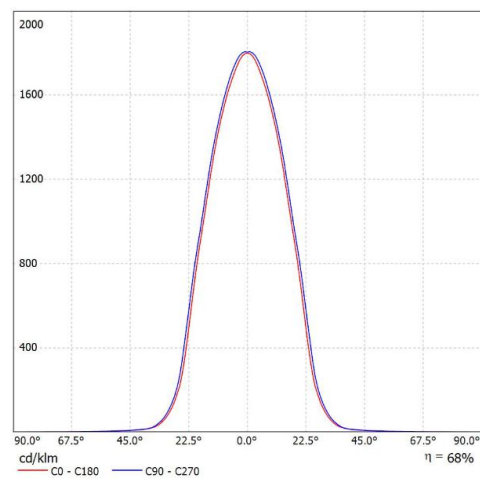
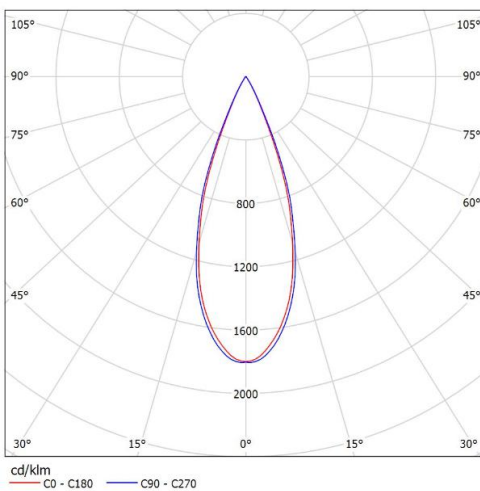
SL-050L&SL-BRH-V8-HD-A



SL-050L-S
K:11.85cd/lm,LED:V8



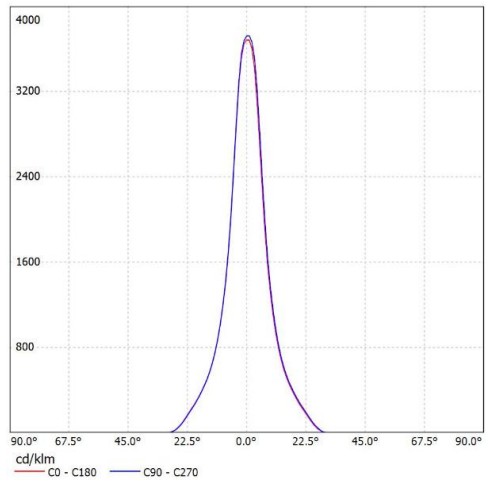
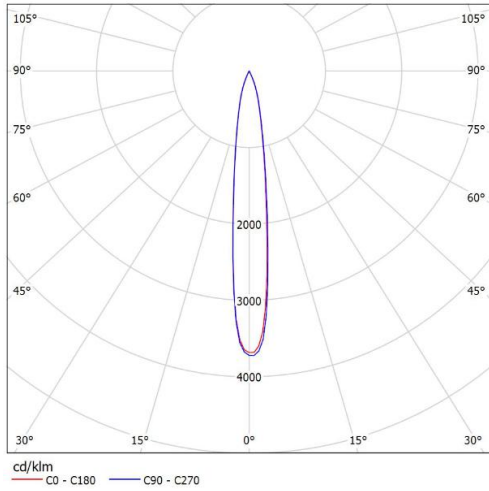
SL-050L-M
K:5.06cd/lm,LED:V8



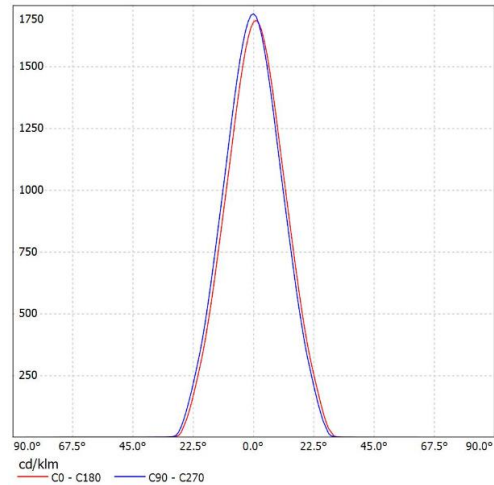
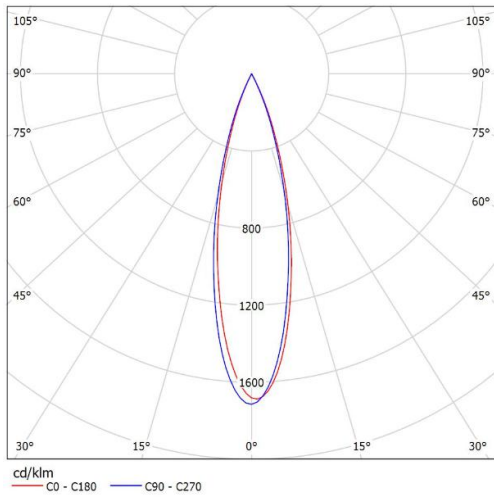
SL-050L-M
K:2.71cd/lm,LED:V8

Distribution Curve Flux

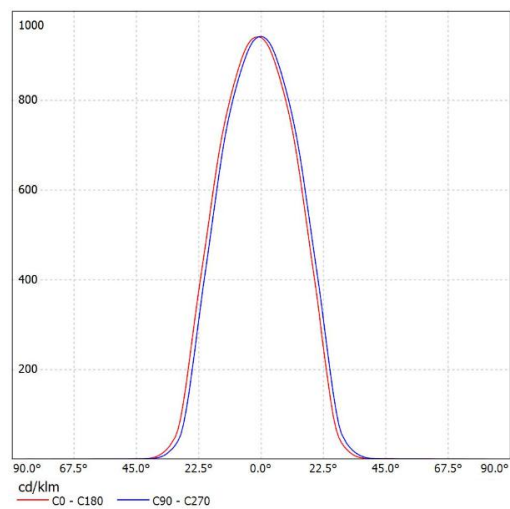
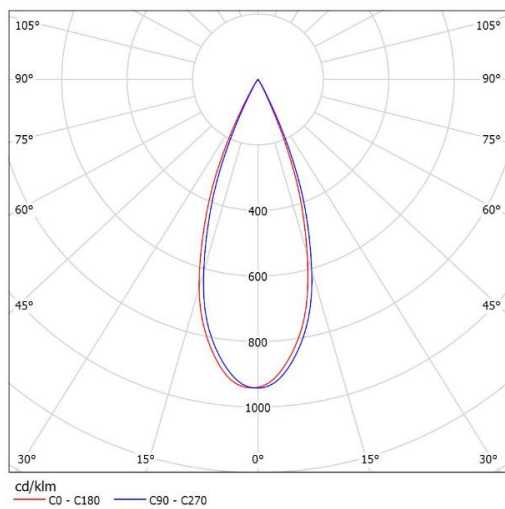
SL-050L&SL-CLL020-HD-A



SL-050L-S
K:9.59cd/lm,LED:CLL022



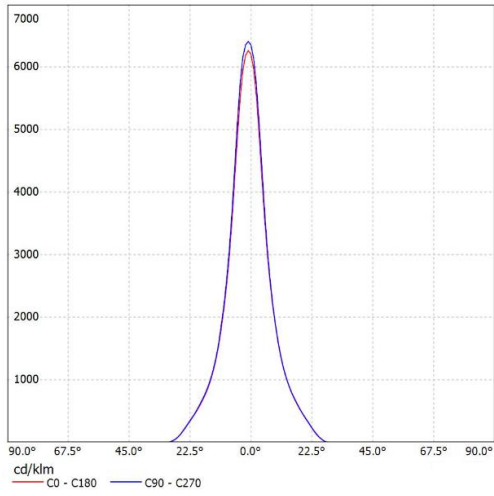
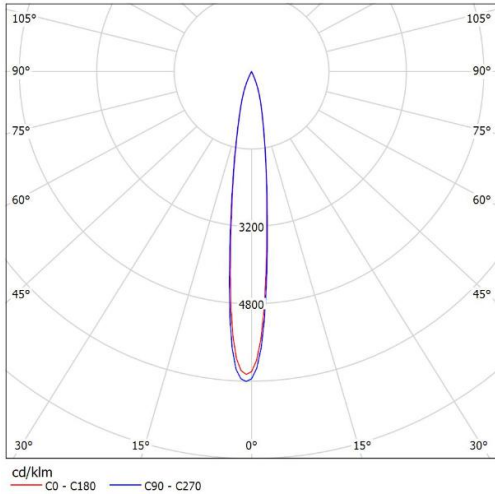
SL-050L-M
K:4.60cd/lm,LED:CLL022



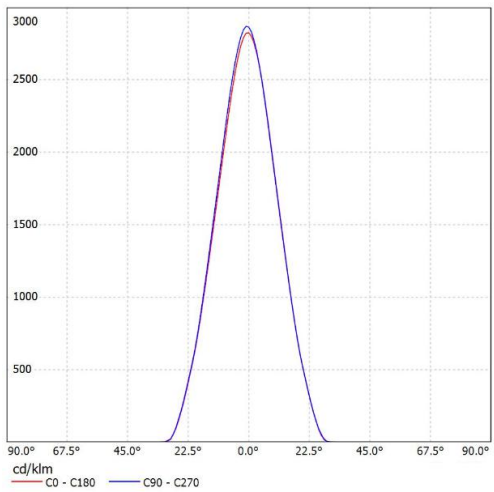
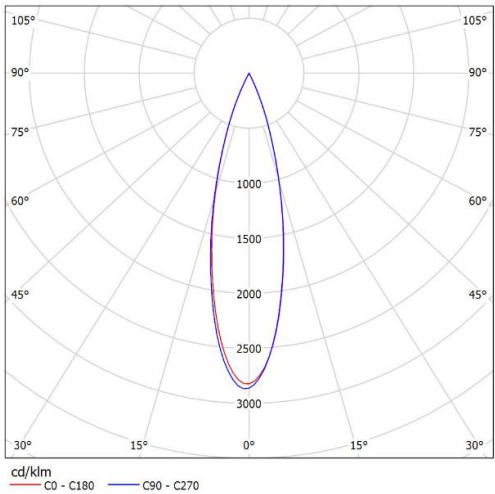
SL-050L-L
K:2.63cd/lm,LED:CLL022

Distribution Curve Flux

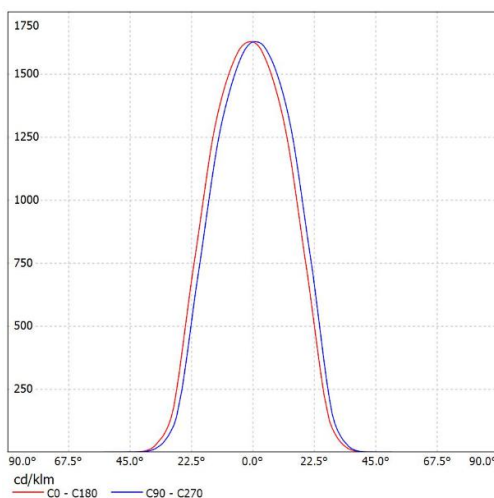
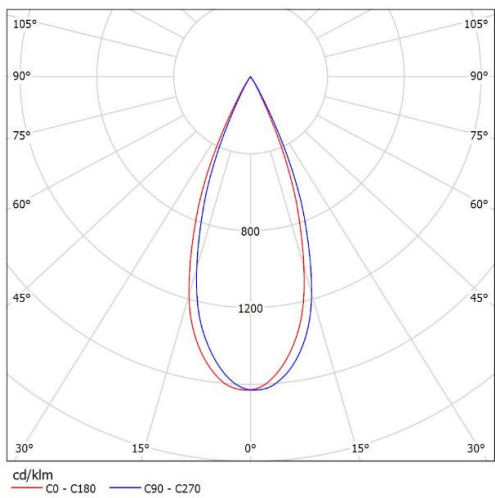
SL-050L&SL-CRH1507-HD-A



SL-050L-S
K:9.72cd/lm,LED:CXA1507



SL-050L-M
K:4.55cd/lm,LED:CXA1507



SL-050L-L
K:2.48cd/lm,LED:CXA1507

Package Description

SL-050L

Part NO.	Without pc cover		With pc cover		Box Size(cm)
	Number per Box (pcs)	Box Weigh(kg)	Number per Box (pcs)	Box Weigh(kg)	
SL-050L-S	400	5.75	400	6.83	60X 32 X 40
SL-050L-M	400	6.00	400	7.08	60X 32 X 40
SL-050L-L	400	6.20	400	7.28	60X 32 X 40

Notes

- It is not allowed to scrub the reflective surface. If there is dust on the surface, please clean by soft cotton with little water.
 - It is forbidden to clean with industrial solvent such as ethanol.
 - Storage temperature: 0°C-40°C, and humidity:30%-95%.
 - Recommended operating temperature (PC) is <100°C.
 - Keep reflectors in package to void the dust.
 - Prohibit the reflector touch with acid or alkaline solvent
-

About Shinland

Shenzhen Shinland Co. Ltd,one of the longest and most professional company in lighting optical field,have 20 years experience.Different from other factory which only have simple process, all aspects included R&D,making mold,injection molding ,vacuum coating and market support are our company own vertically integrated production .

Insisting on 'Quality First, Service First' and pragmatic, enterprising spirit,building the market by quality, casting our brand by credibility and integrity ,Shinland now become the leading supplier of lighting optical solution in China.