

The logo for Shinland Optics is positioned in the upper right quadrant. It features the word "Shinland" in a large, bold, white sans-serif font. Above the "land" portion of "Shinland", the word "Optics" is written in a smaller, white sans-serif font. A small blue circle is placed above the letter "i" in "Shinland".

Optics  
**Shinland**

Each Ray is brighter in Shinland

# SL-D-050DA

## Details

Material:	PMMA
Process:	Optical Transparent PMMA
MAX Diameter:	49.6mm
Height:	21.6mm
Bottom Diameter:	21.5mm
Matched Holder:	SL-HD-B
Matched Cover:	WITHOUT
ROSH Compliant:	YES
Status:	Ready

## Matched COB

CLU028  
CLU701  
CLU711  
  
CXM-6  
CHM-6  
CXM-7  
CXM-9  
CHM-9

## Optical Properties

Code	Typ.FWHM	Typ.eff
SL-D-050DA-S	17°	94%
SL-D-050DA-M	24°	93%
SL-D-050DA-F	36°	90%

CXA13  
CXA15

V10 Gen6  
V10 Gen7  
E8

105  
1202/1203

G4-10

Solerialq S8

LC010C  
LC020C  
LC006B

XTM-9

NJCxS024Z  
NTCxS024B  
NFCxL036B

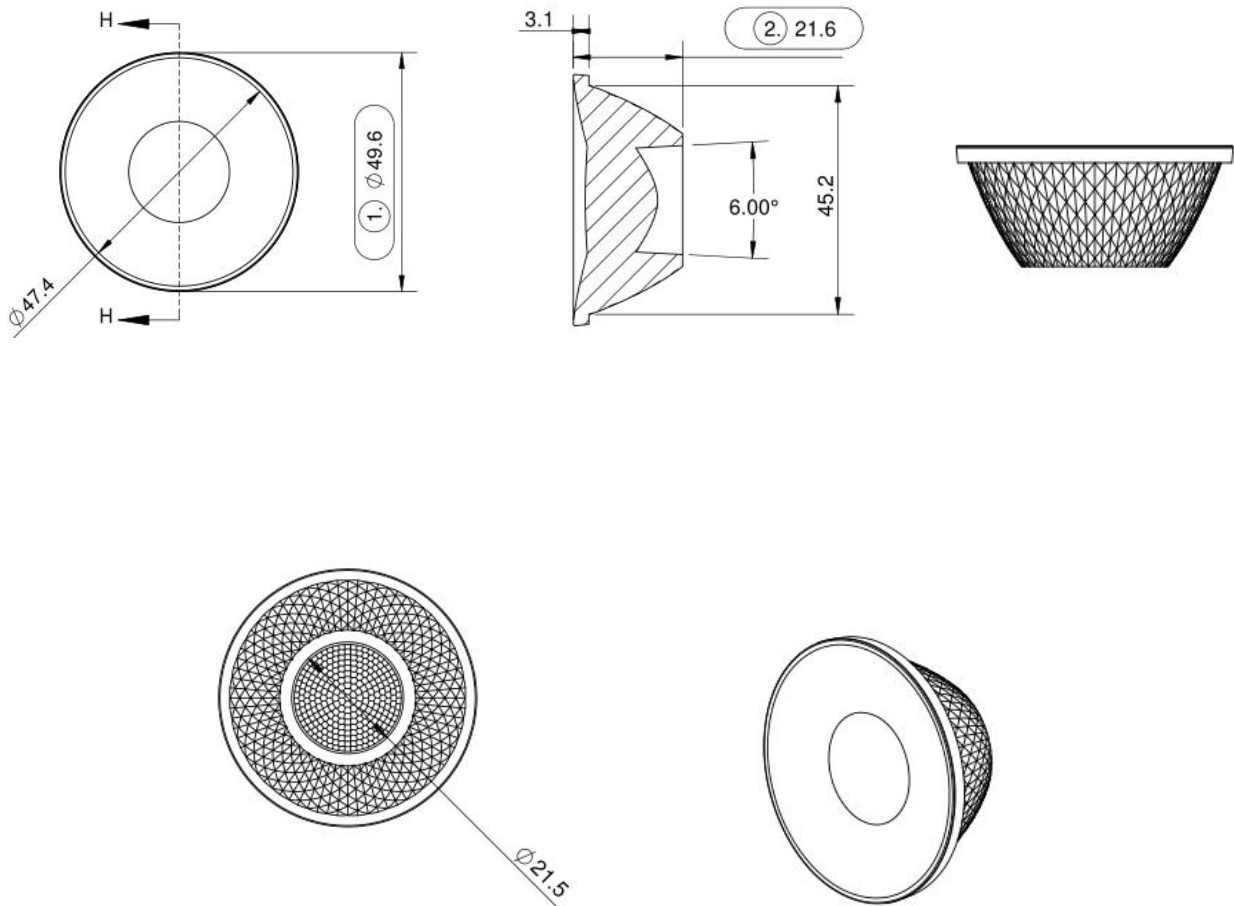
## Photo



# Dimensional Figure

SL-D-050DA

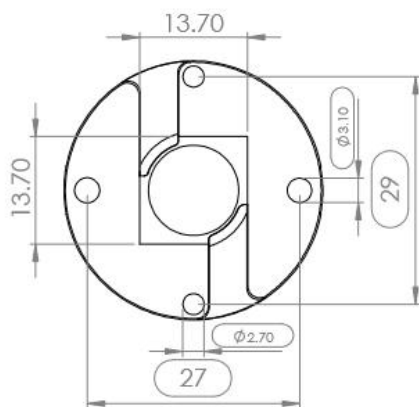
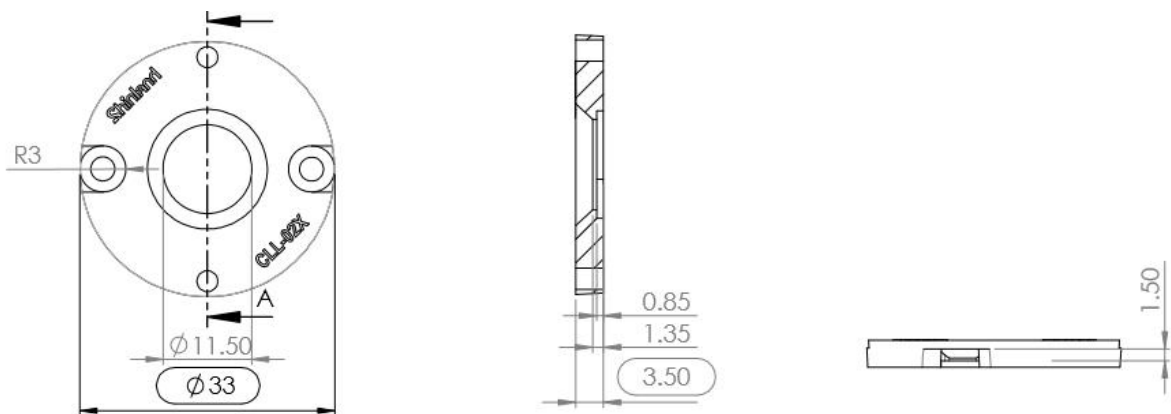
Measure Unit: mm



# Dimensional Figure

SL-CLL02X-HD-B

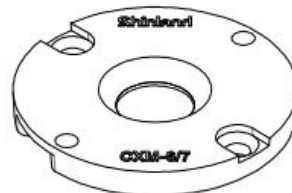
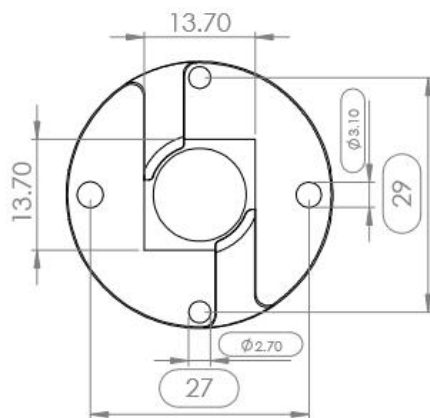
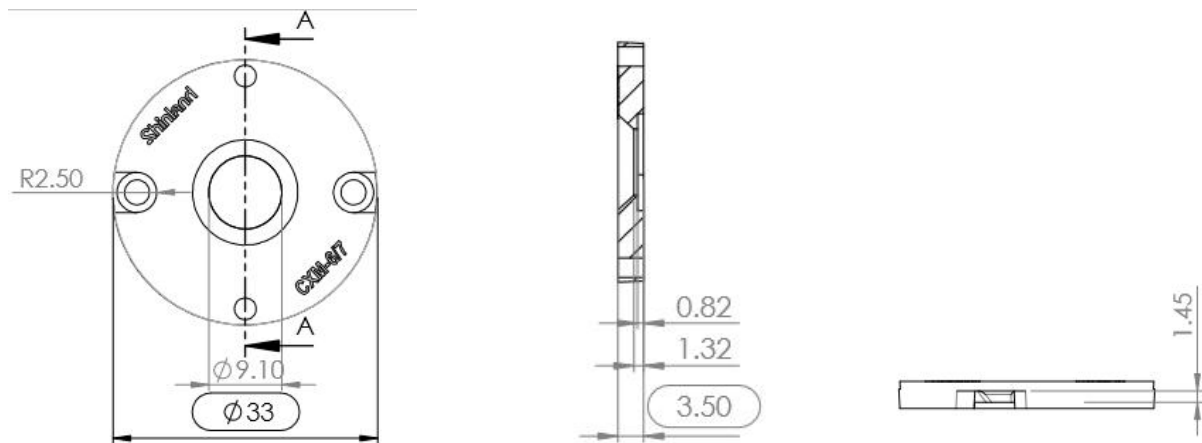
Measure Unit: mm



# Dimensional Figure

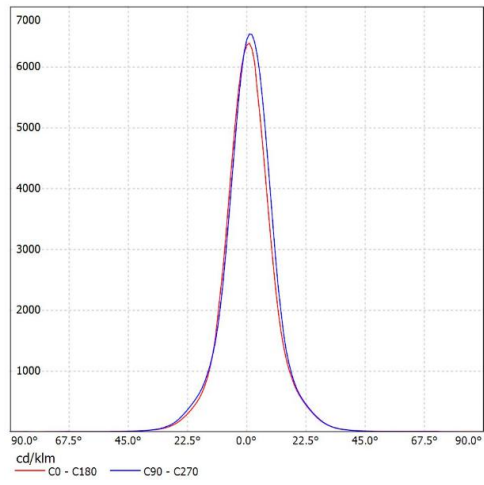
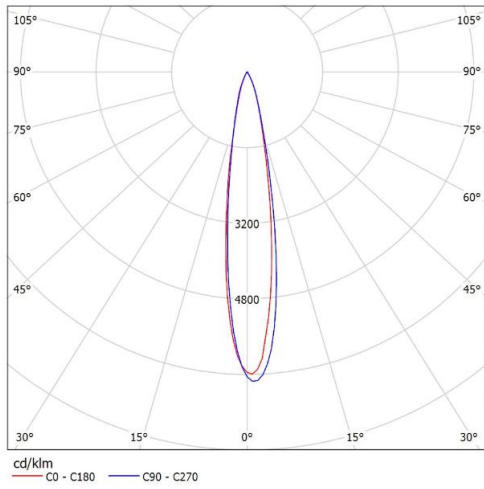
SL-CXM-6/7-HD-B

Measure Unit: mm

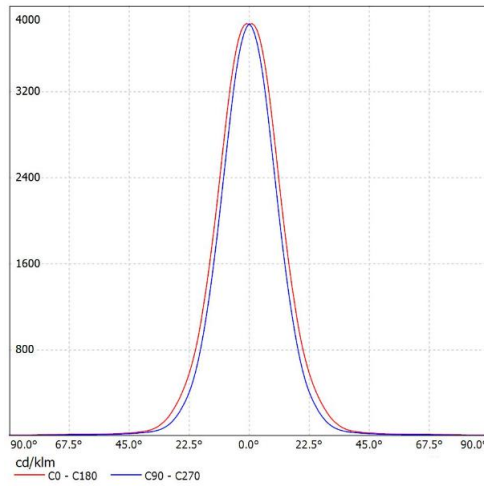
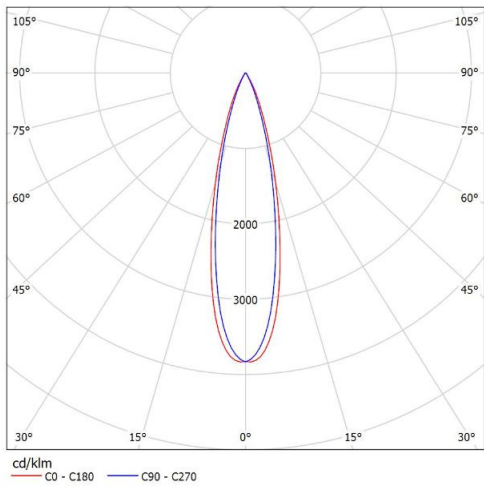


# Distribution Curve Flux

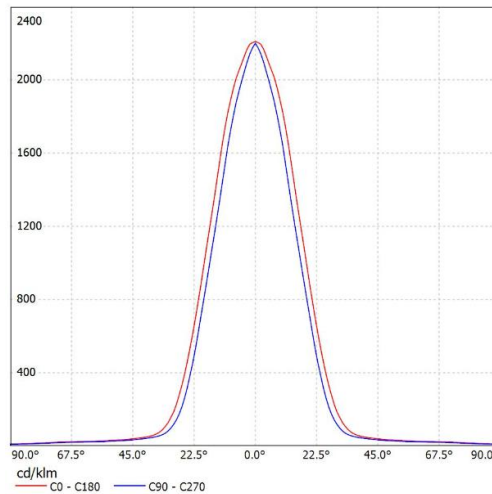
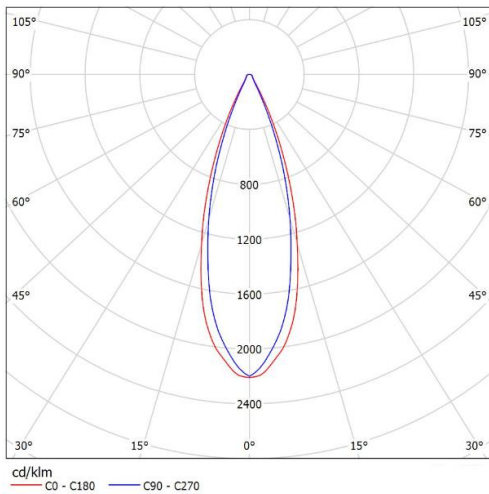
## SL-D-050DA&SL-CLL020-HD-B



**SL-D-050DA-S**  
K:6.98cd/lm,LED:CLL02X



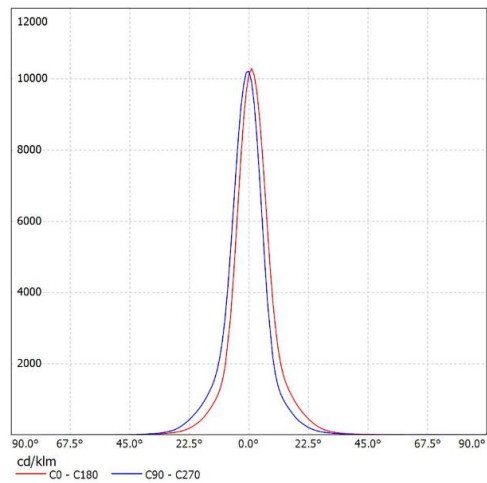
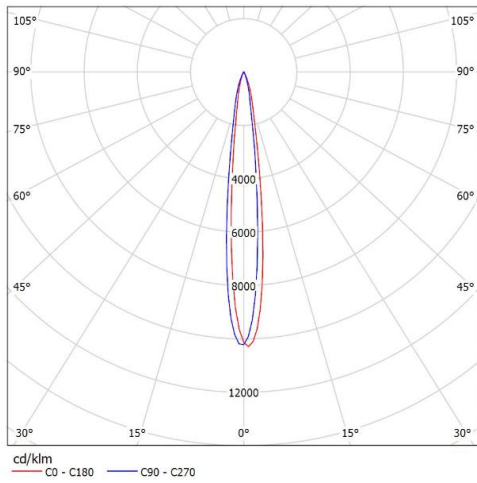
**SL-D-050DA-M**  
K:4.06cd/lm,LED:CLL02X



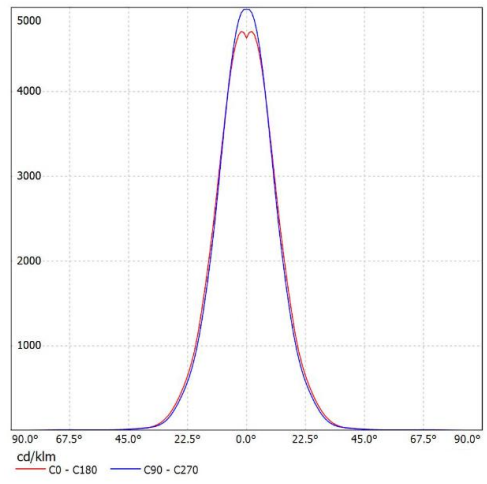
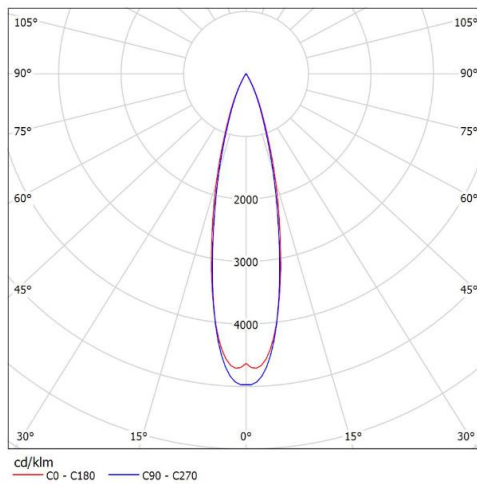
**SL-D-050DA-F**  
K:2.46cd/lm,LED:CLL02X

# Distribution Curve Flux

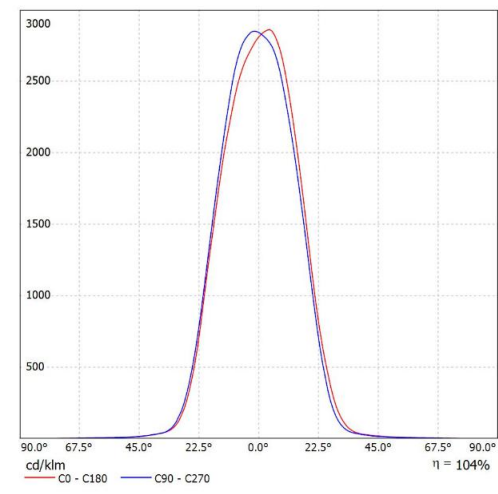
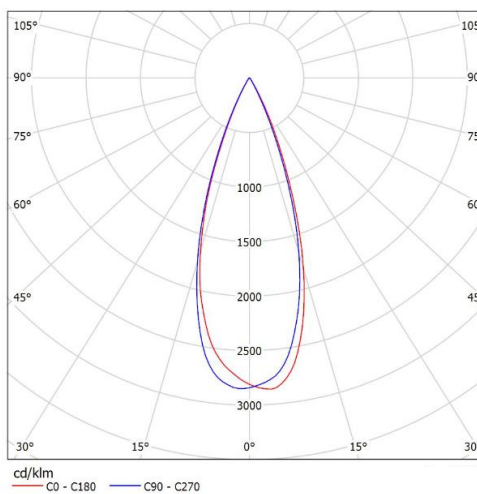
## SL-D-050DA&SL-CXM-6/7-HD-B



**SL-D-050DA-S**  
K:10.99cd/lm,LED:CXM-7



**SL-D-050DA-M**  
K:5.07cd/lm,LED:CXM-7



**SL-D-050DA-F**  
K:2.77cd/lm,LED:CXM-7

# Package Description

SL-D-050DA

PART NO.	Number Per Box (pcs)	Box Weigh (kg)	BOX SIZE (cm)
SL-D-050DA-M	850	25.48	60*32*40
SL-D-050DA-F	850	23.85	60*32*40



## Notes

- It is not allowed to scrub the reflective surface. If there is dust on the surface, please clean by soft cotton with little water.
  - It is forbidden to clean with industrial solvent such as ethanol.
  - Storage temperature: 0°C-40°C, and humidity:30%-95%.
  - Recommended operating temperature (PC) is <100°C.
  - Keep reflectors in package to void the dust.
  - Prohibit the reflector touch with acid or alkaline solvent
- 

## About Shinland

Shenzhen Shinland Co. Ltd,one of the longest and most professional company in lighting optical field,have 20 years experience.Different from other factory which only have simple process, all aspects included R&D,making mold,injection molding ,vacuum coating and market support are our company own vertically integrated production .

Insisting on 'Quality First, Service First' and pragmatic, enterprising spirit,building the market by quality, casting our brand by credibility and integrity ,Shinland now become the leading supplier of lighting optical solution in China.