

The background is a dark teal color with a pattern of lighter teal diagonal lines and several large, semi-transparent teal circles of varying sizes scattered across the page.

Optics
Shinland

Each Ray is brighter in Shinland

SL-D-044DA

Details

Material:	PC
Process:	injection
Diameter:	44mm
Heigh:	20.2mm
Matched Holder:	Shinland's series A holders
Matched Cover:	None
ROHS Compliant:	YES
Status:	Ready

Optical Properties

Code	Typ. Angle	Typ. efficiency
SL-D-044DA-S	15°~19°	72%
SL-D-044DA-M	22°~25°	86%
SL-D-044DA-F	31°~46°	86%

Photo



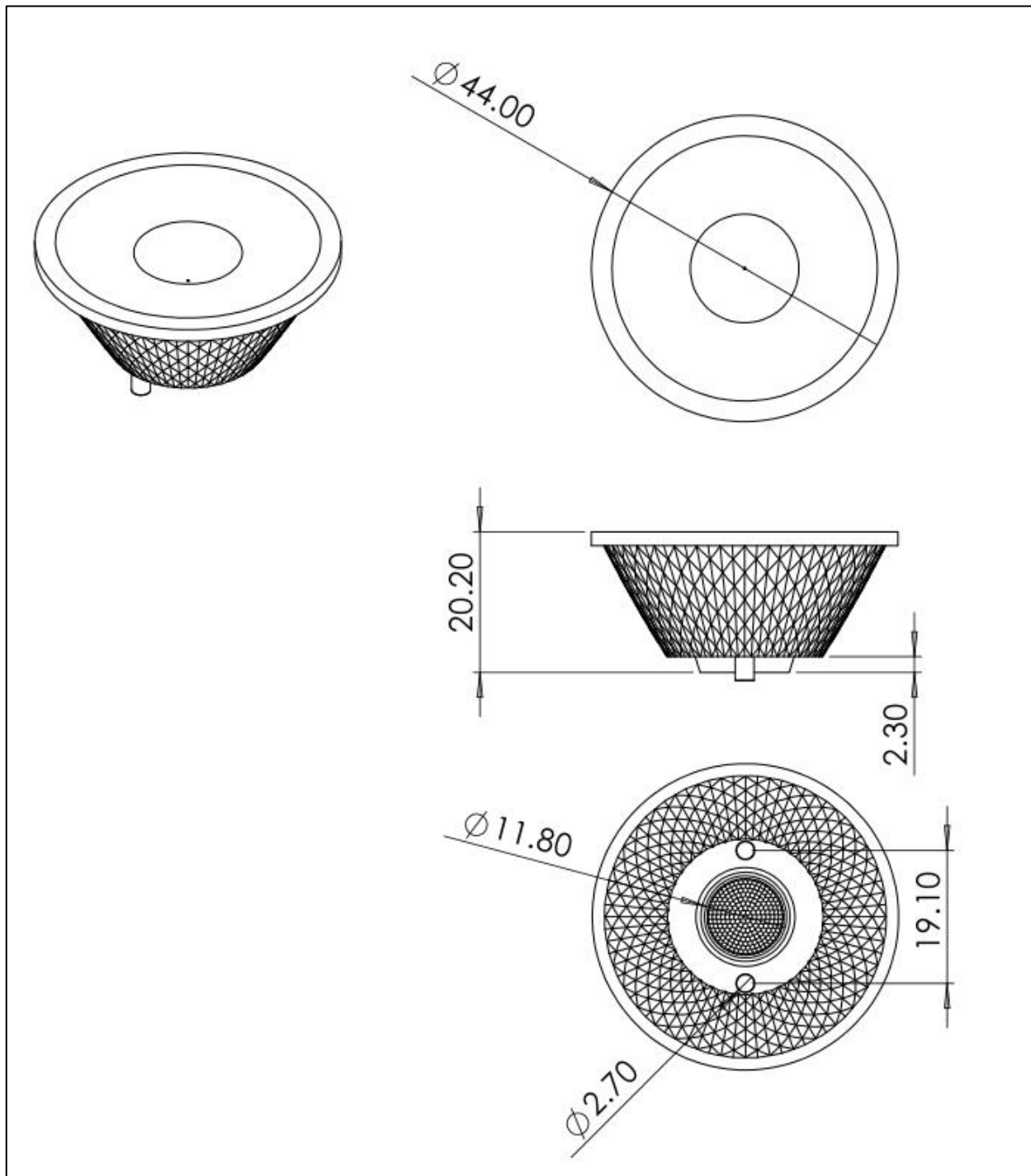
Matched LED type

CLU028	blx C6
CLU701	blx C8
CLU711	Soleroiq S9
CLU0B0	105
CXA13	1202/1203
CXA15	G4-10
CXM-6	LC020C
CHM-6	LC006B
CXM-9	EDC-38C
CHM-9	NFCxL036B
V8	
V10 Gen6	
V10 Gen7	

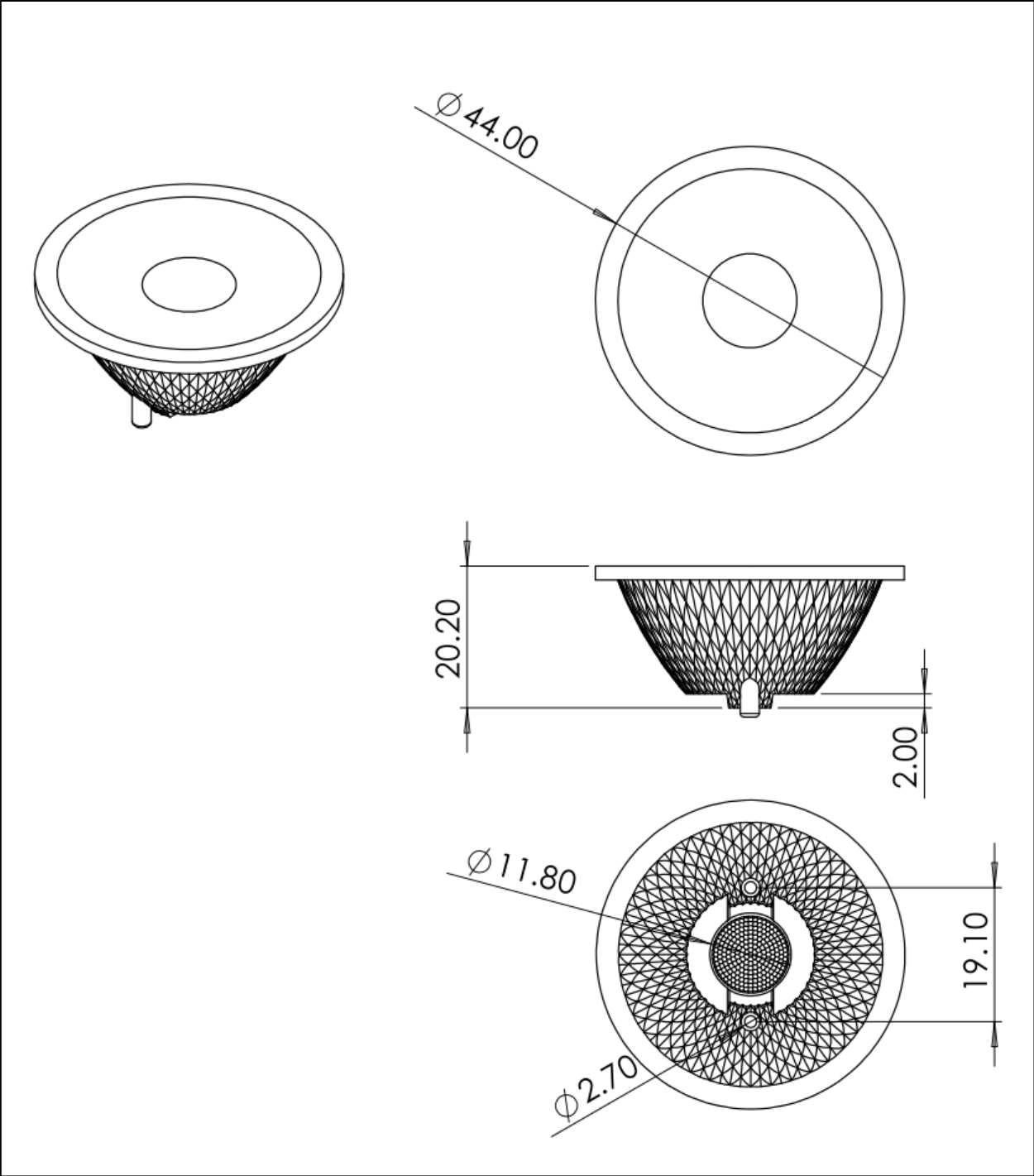
Dimensional Figure

Measure Unit : mm

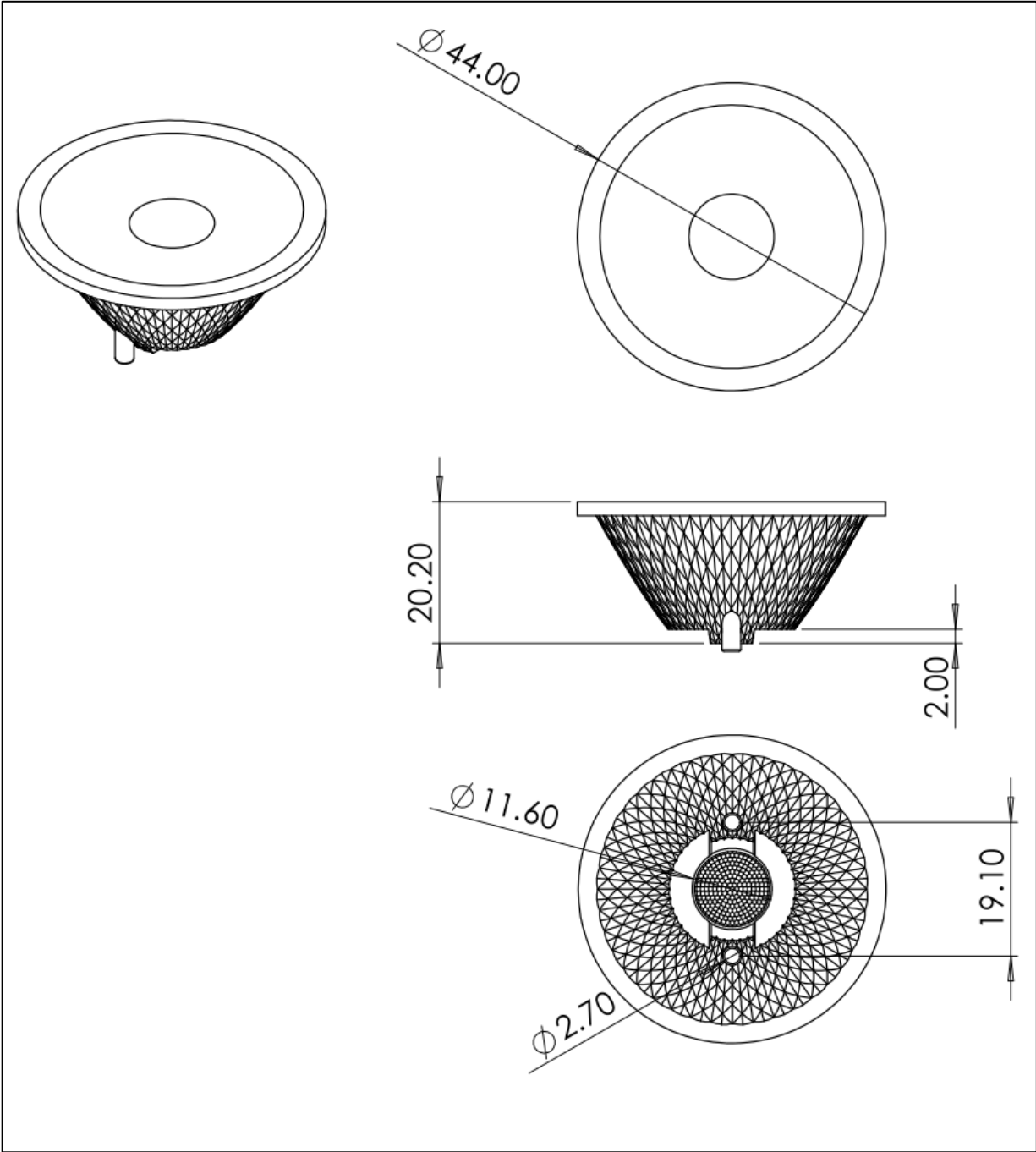
SL-D-044DA-S



SL-D-044DA-M



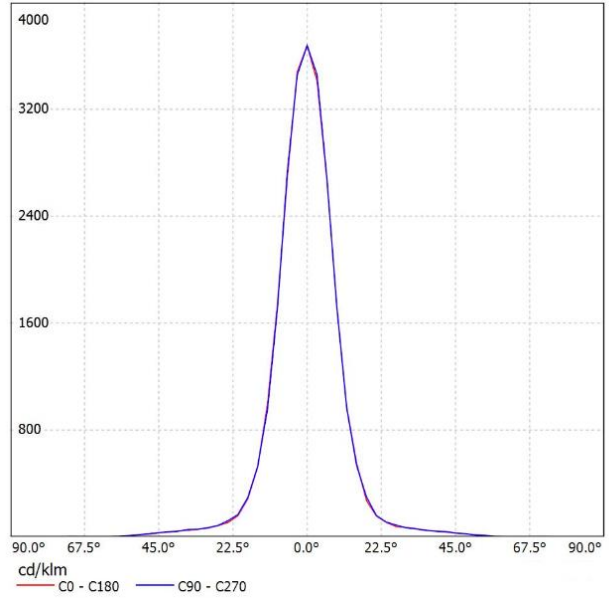
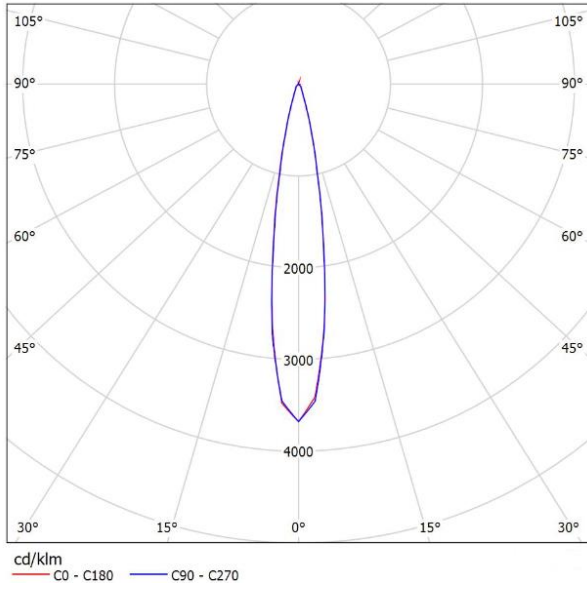
SL-D-044DA-F



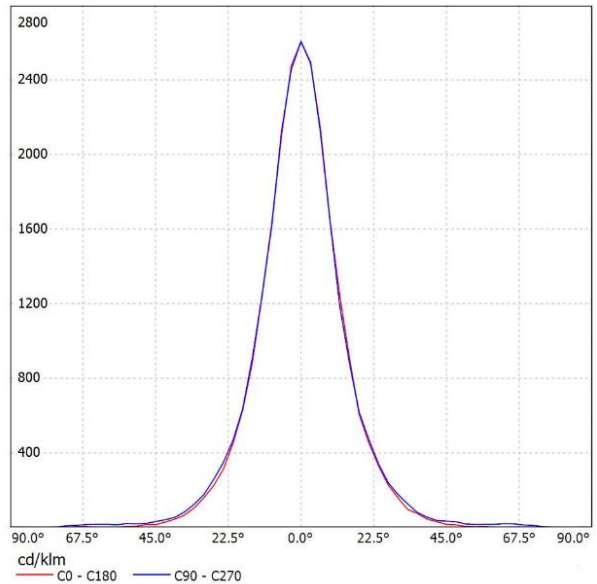
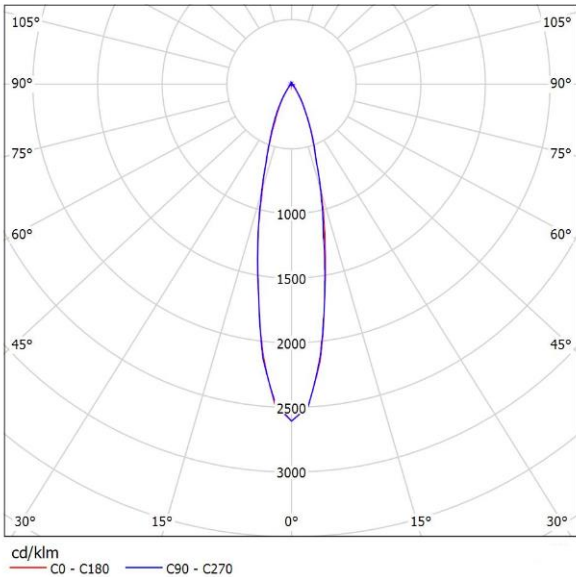
Distribution Curve Flux

Source:Cree CXA1507

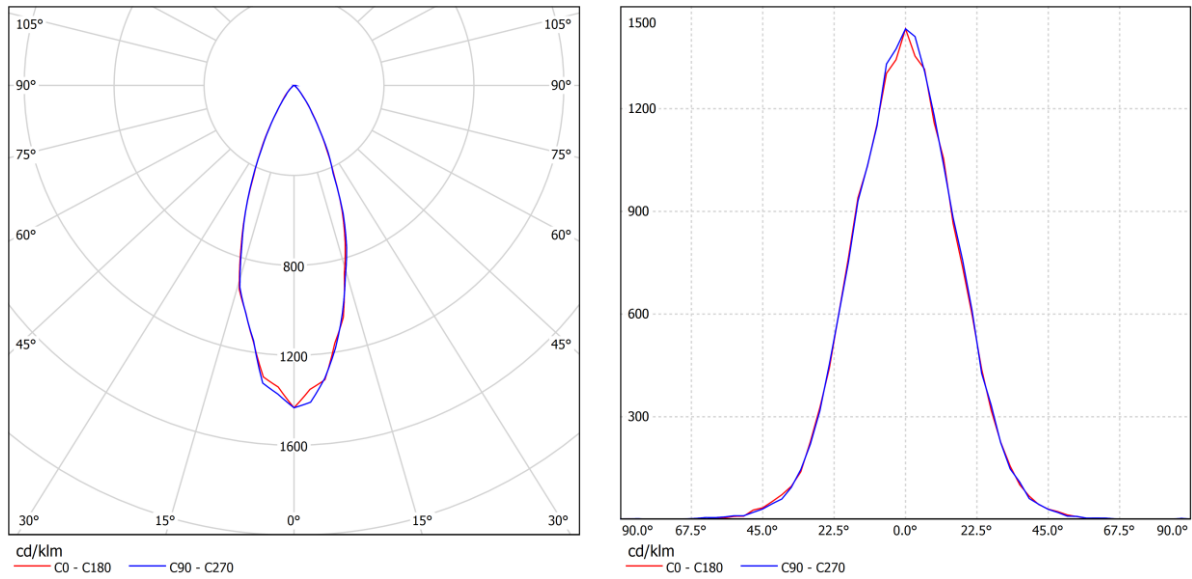
SL-D-044DA-S



SL-D-044DA-M



SL-D-044DA-F



Notes

- It is not allowed to scrub the optical surface. If there is dust on the surface, please clean by soft cotton with little water.
- It is forbidden to clean with industrial solvent such as ethanol.
- Storage temperature: 0°C-40°C, and humidity:30%-95%.
- Recommended operating temperature (PC) is <100°C.
- Keep lens in package to void the dust.
- Prohibit the reflector touch with acid or alkaline solvent.

About Shinland

Shenzhen Shinland Co. Ltd, one of the longest and most professional company in reflector field, have years experience. Different from other factory which only have simple process, all aspects included R&D, making mold, mass production and market support are achieved by our exclusive resources.

Insisting on “Quality First, Service First” and pragmatic, enterprising spirit, building the market by quality, casting our brand by credibility and integrity, Shinland now become the leading supplier of second-optical solution in China.