



Optics  
**Shinland**

Each Ray is brighter in Shinland

# SL-B-045BA

## Details

---

Material:	URC2500
Cover Material:	PC
Process:	Vaccum Aluminum Plating PC
MAX Diameter:	45.0mm
Height:	11.0mm
Matched Holder:	SL-HD-A
Matched Cover:	SL-045-M-LENS-B/SL-045-F-LENS-B SL-045-WOF-LENS-B/SL-045-FSQ-LENS-B
ROSH Compliant:	YES
Status:	Ready

## Matched LED Source

CLU701

CXM-6

CHM-6

CXM-7

CXA13

V6

blx C6

## Optical Properties

---

Code	Typ. Angle	Typ. efficiency
SL-B-045BA-S	11°	82%

---

105

LC010C

NJCxS024Z

NTCxS024B

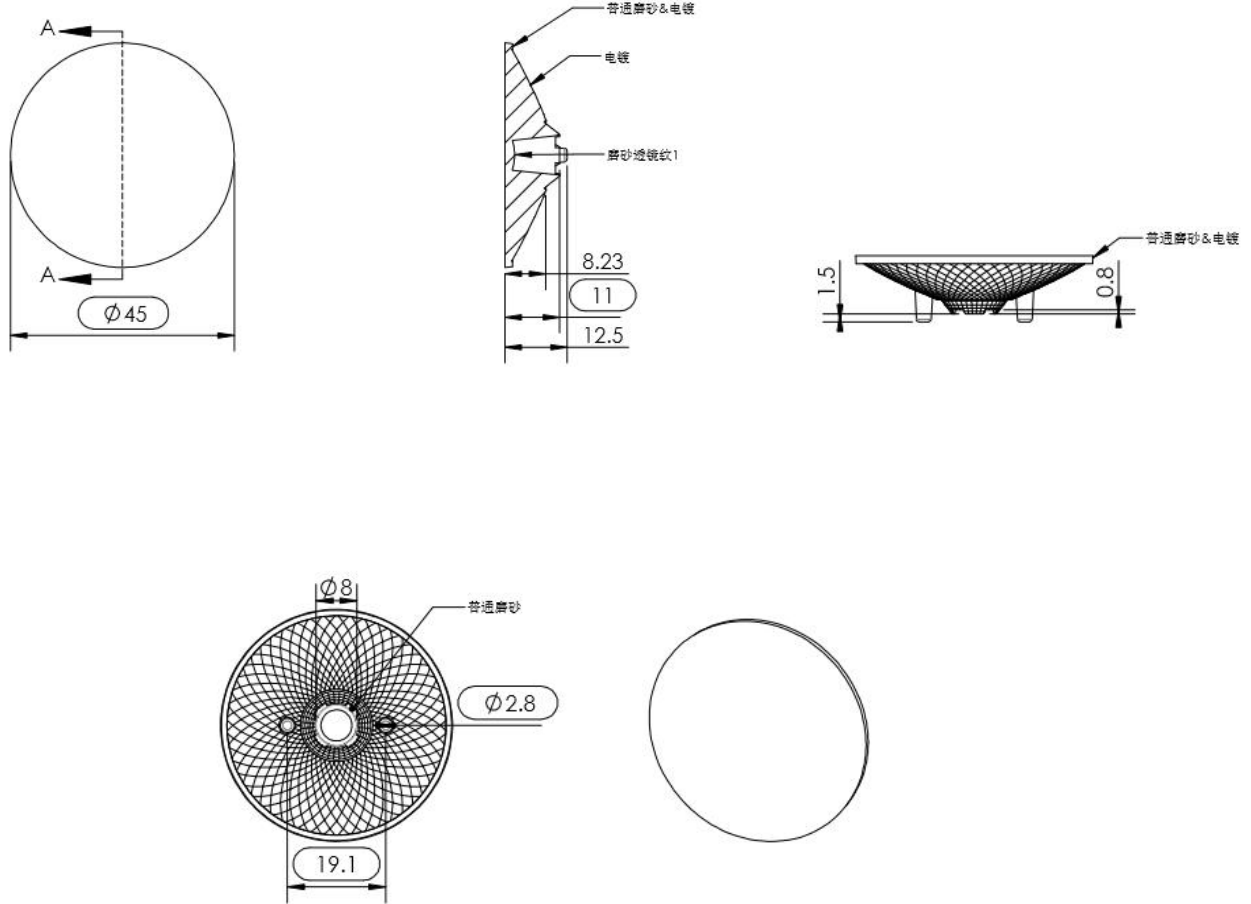
## Photo



# Dimensional Figure

## SL-B-045BA

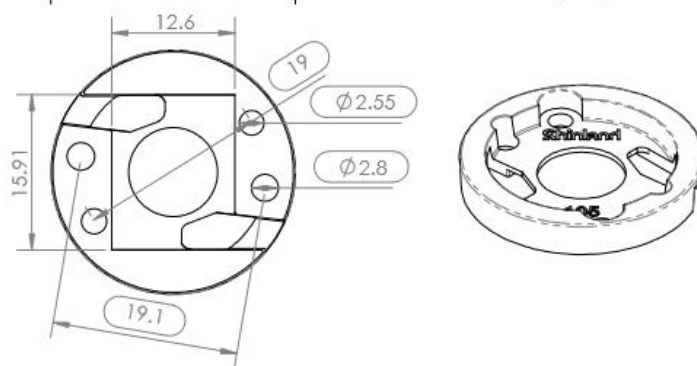
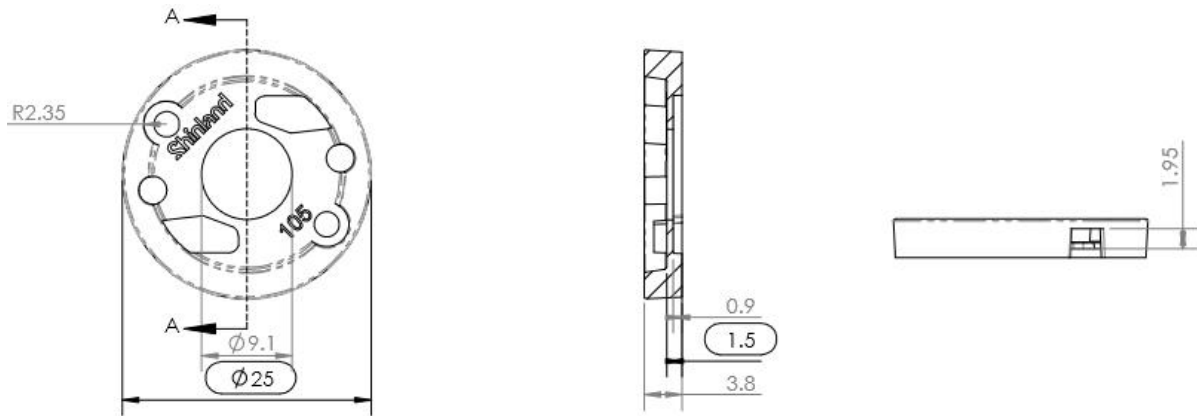
Measure Unit: mm



# Dimensional Figure

## SL-Philips105A-HD-A

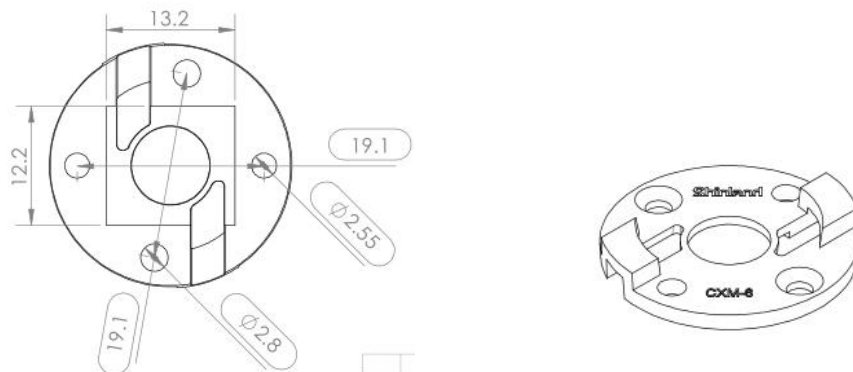
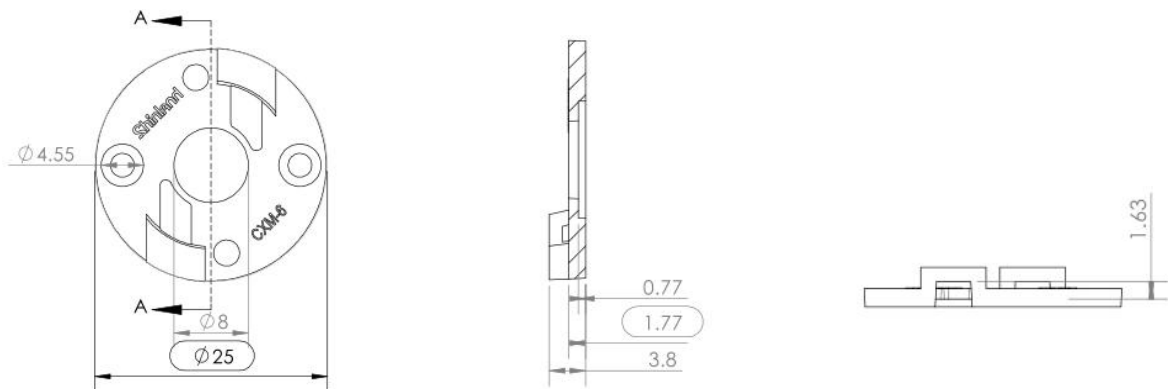
Measure Unit: mm



# Dimensional Figure

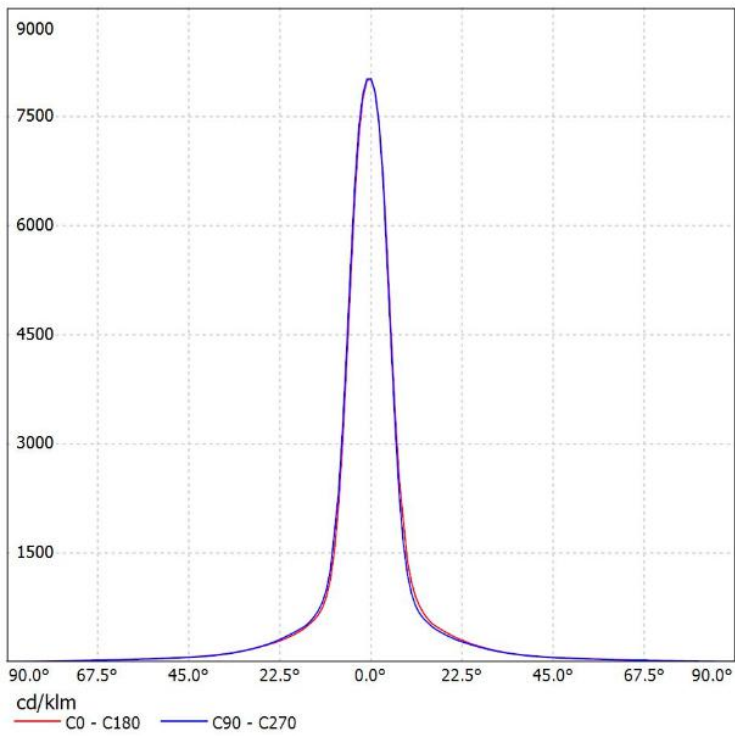
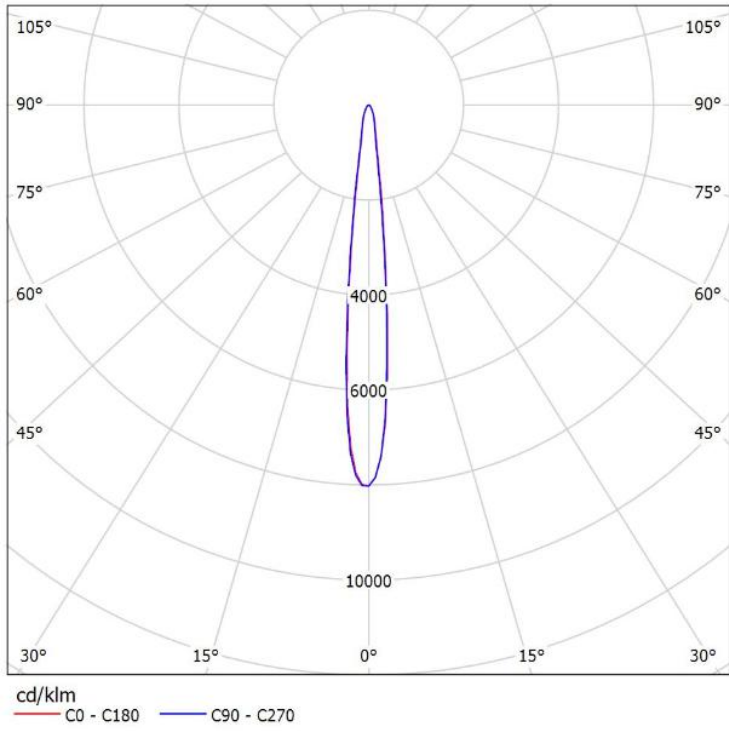
## SL-CXM-6-HD-A

Measure Unit: mm



# Distribution Curve Flux

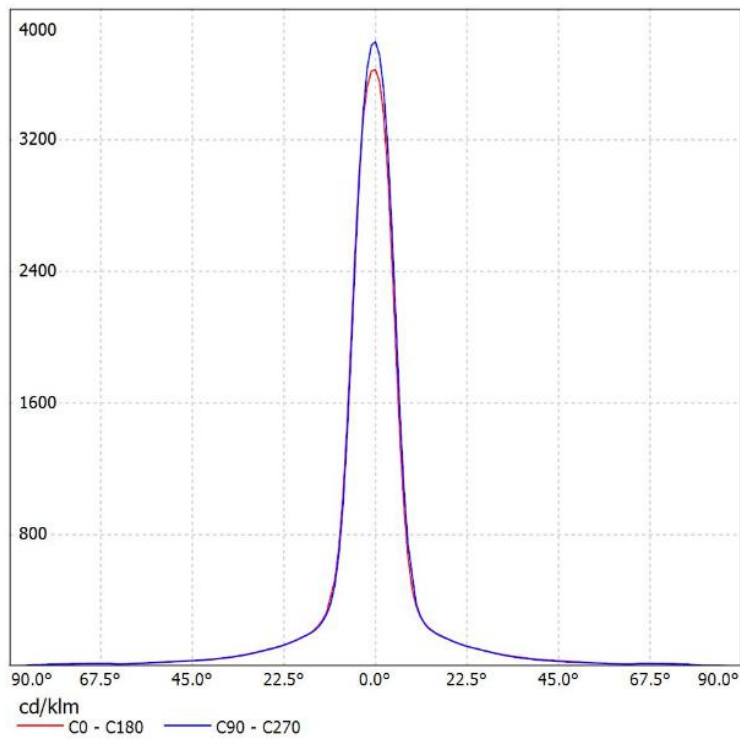
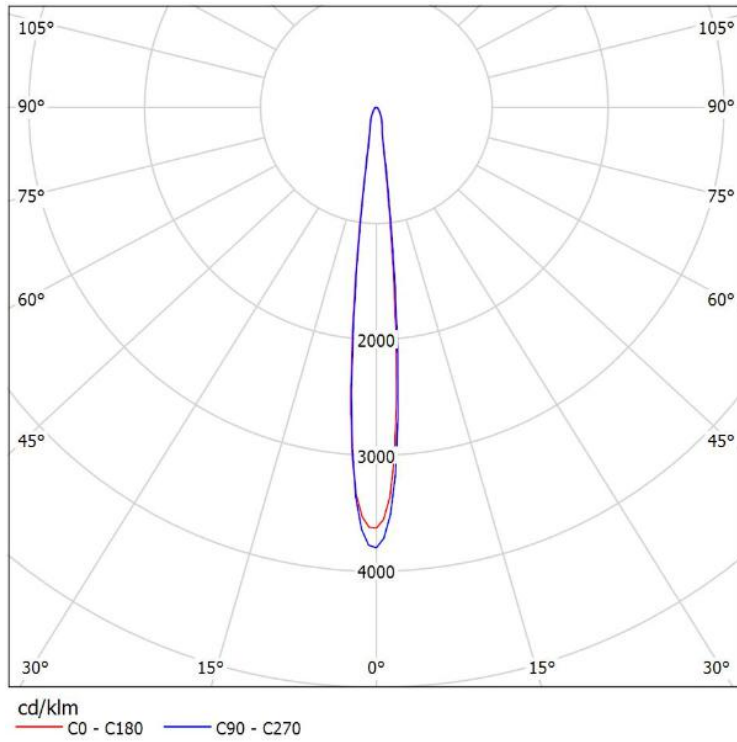
SL-B-045BA&SL-Philips105A-HD-A



SL-B-045BA-S  
K:9.88cd/Im,LED:105

# Distribution Curve Flux

SL-B-045BA&SL-CXM-6-HD-A



SL-B-045BA-S  
K:10.22cd/lm,LED:CXM-6

## Package Description

SL-B-045BA

Part NO.	Without pc cover		With pc cover		Box Size(cm)
	Number Per Box (pcs)	Box Weigh (kg)	Number Per Box (pcs)	Box Weigh (kg)	
SL-B-045BA-S	100	11.6	/	/	55X 32 X 32



## Notes

- It is not allowed to scrub the reflective surface. If there is dust on the surface, please clean by soft cotton with little water.
  - It is forbidden to clean with industrial solvent such as ethanol.
  - Storage temperature: 0°C-40°C, and humidity:30%-95%.
  - Recommended operating temperature (PC) is <100°C.
  - Keep reflectors in package to void the dust.
  - Prohibit the reflector touch with acid or alkaline solvent
- 

## About Shinland

Shenzhen Shinland Co. Ltd,one of the longest and most professional company in lighting optical field,have 20 years experience.Different from other factory which only have simple process, all aspects included R&D,making mold,injection molding ,vacuum coating and market support are our company own vertically integrated production .

Insisting on 'Quality First, Service First' and pragmatic, enterprising spirit,building the market by quality, casting our brand by credibility and integrity ,Shinland now become the leading supplier of lighting optical solution in China.