



Optics  
**Shinland**

Each Ray is brighter in Shinland

# SL-A-110A

## Details

Material:	PC
LENS Material:	PC
Process:	Vacuum Aluminum Plating
MAX Diameter:	110.0mm
Height:	53.0mm
Matched Holder:	SL-HD-B
Matched Cover:	SL-110-CLEAR-LENS/SL-110-MIXING-LENS
Matched Lens:	SL-A-110A-LENS
ROSH Compliant:	YES
Status:	Ready

## Optical Properties

Code	Typ. Angle	Typ. efficiency
SL-A-110A-S	9°-15°	84%
SL-A-110A-M	22°-24°	85%
SL-A-110A-L	35°-40°	85%

## Photo



## Matched

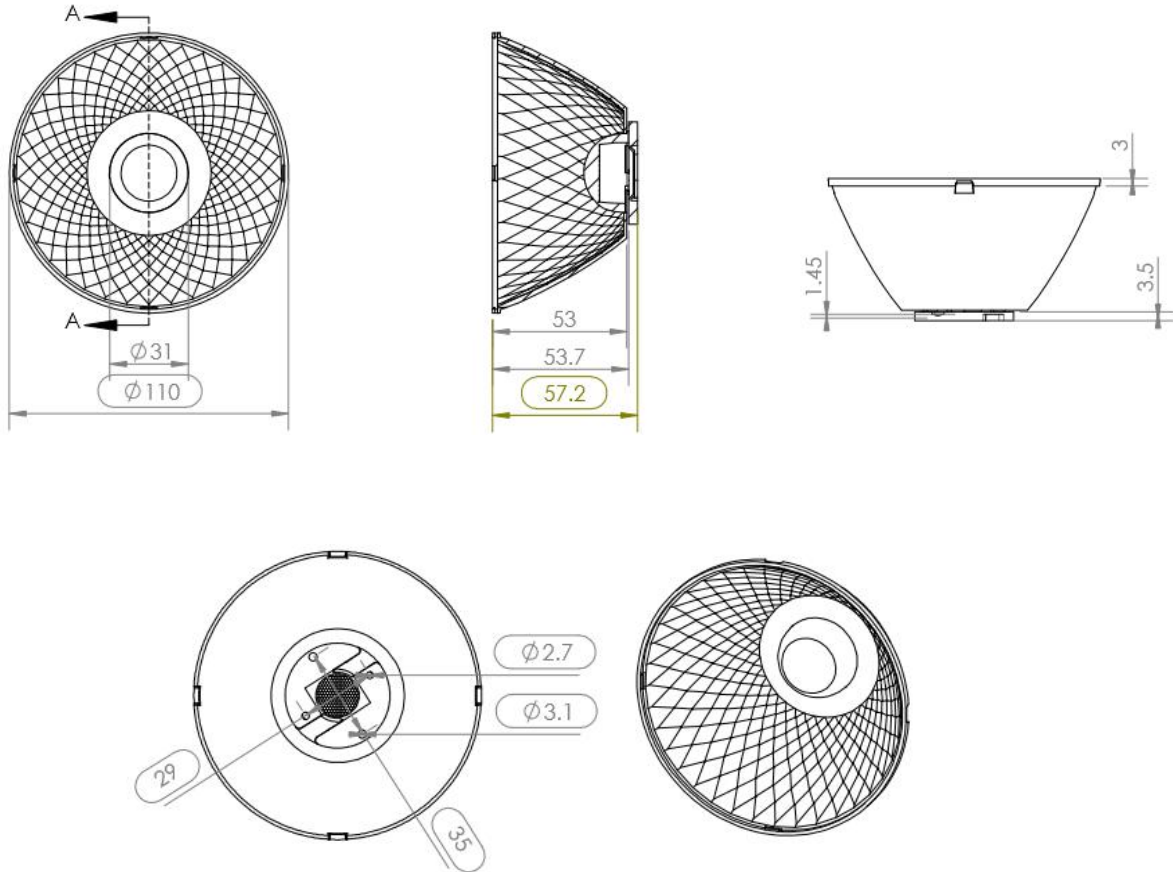
## COB

CLU028	105
CLU038	1204/1205
CLU711	1208
CLU721	
CLU731	G4-10
CLC020	G4-17
CXM-9	XTM-9
CXM-14	XTM-19
CXM-18	
CHM-9	LC020C
CHM-11	LC040C
CHM-14	LC006B
CDM-14/CTM-14	LC026B
CDM-18/CTM-18	LC033B
CXA15	EDC-38C
CXA18	EDC-47C
CXA25	EDC-57C-20
CXA1830	EDC-57C-30
V10 Gen6	NVCxL024Z
V10 Gen7	NFCxL060B
V13 Gen6	NFCxJ108B
V13 Gen7	NFDxJ130B
V15 Gen6	
V18 Gen6	
V18 Gen7	
Vero13	
Vero18	
E8	
E13	
Solერიq S9	
Solერიq S13	
Solერიq S19	

# Dimensional Figure

## SL-A-110A&SL-A-110A-LENS

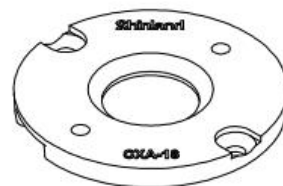
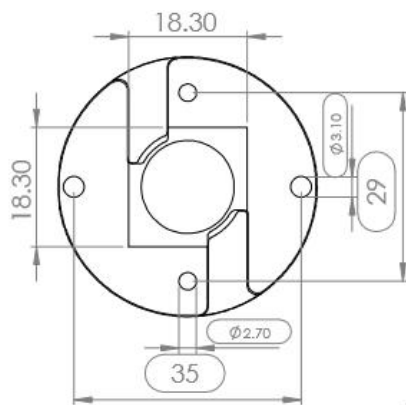
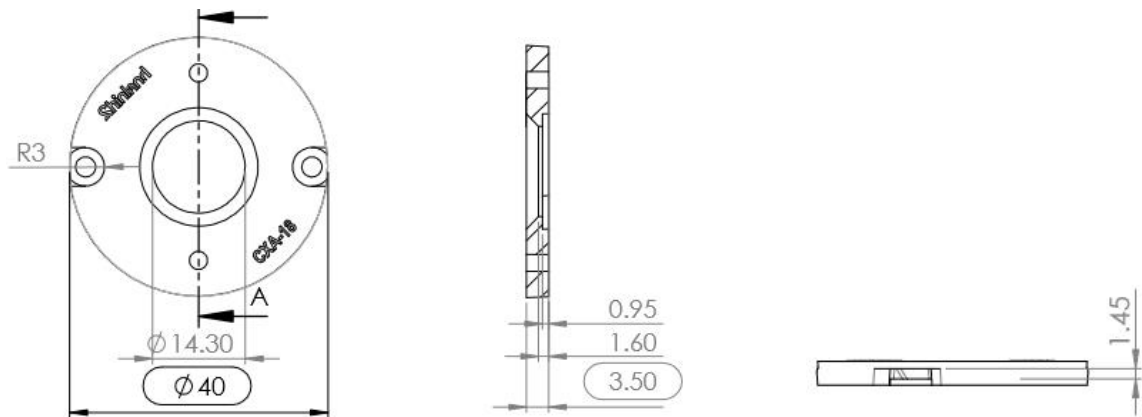
Measure Unit: mm



# Dimensional Figure

SL-CXA18-HD-B

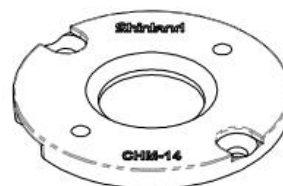
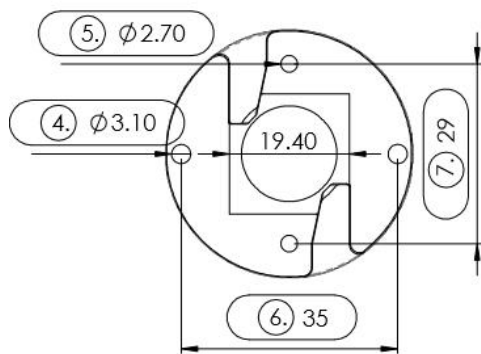
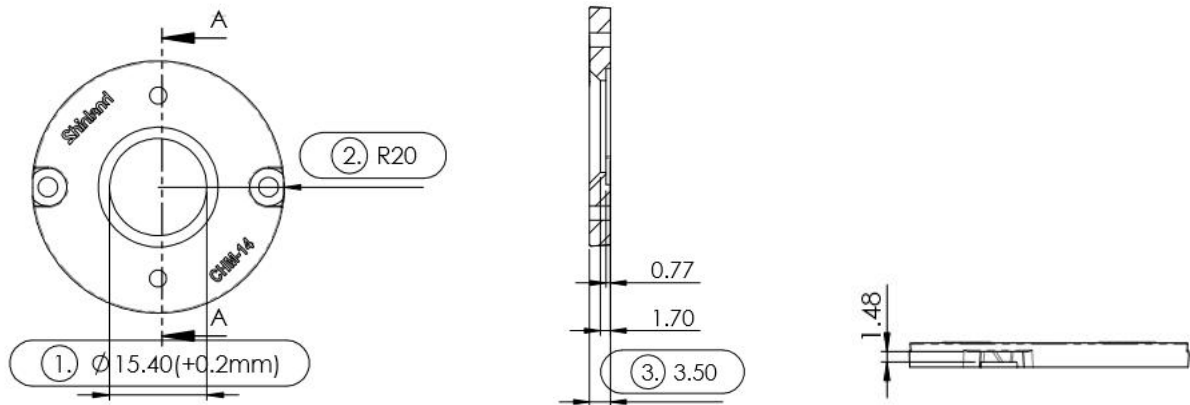
Measure Unit: mm



# Dimensional Figure

SL-CHM-14-HD-B

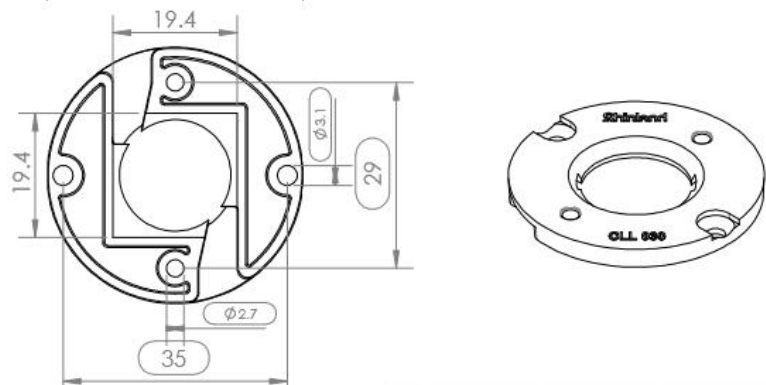
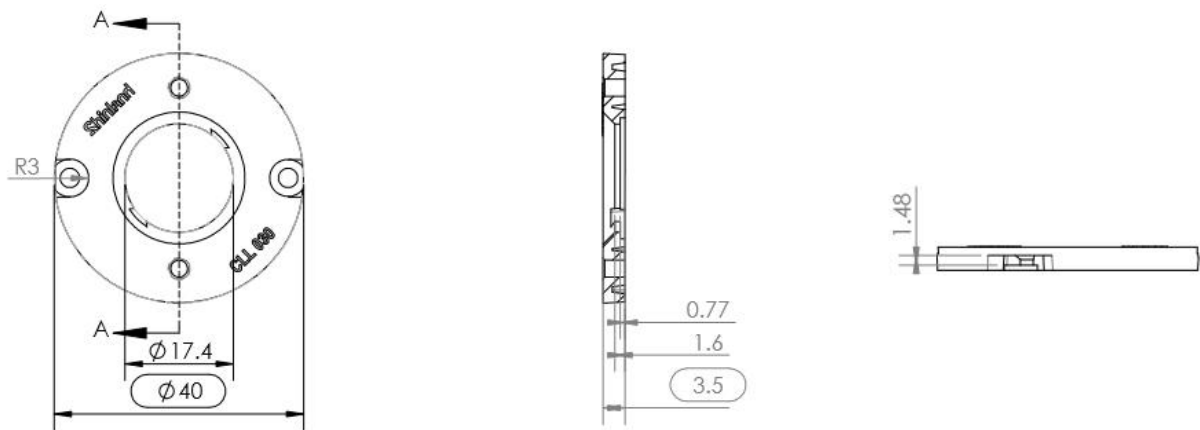
Measure Unit: mm



# Dimensional Figure

SL-CLL030-HD-B

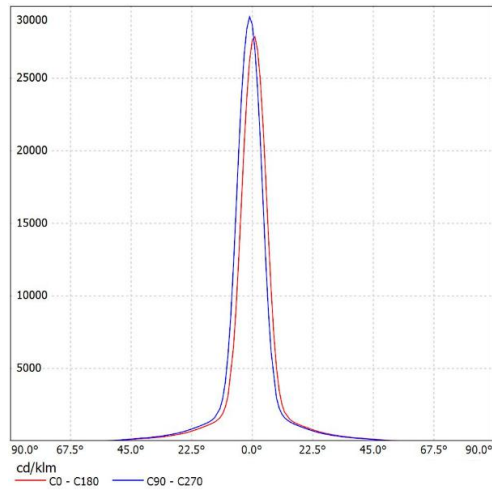
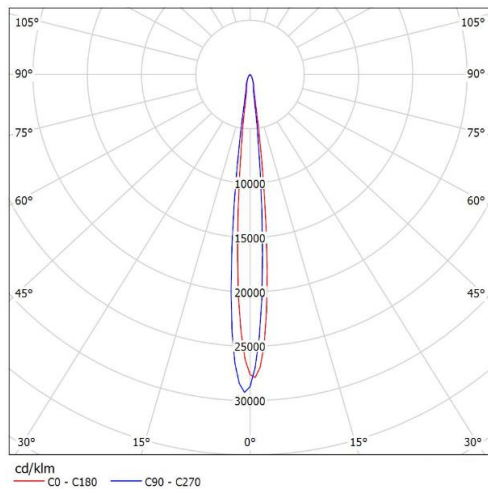
Measure Unit: mm



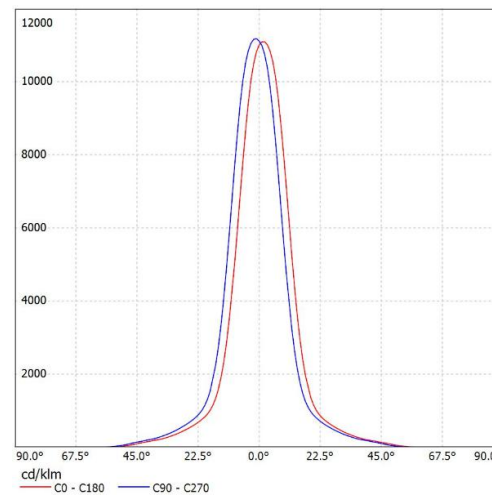
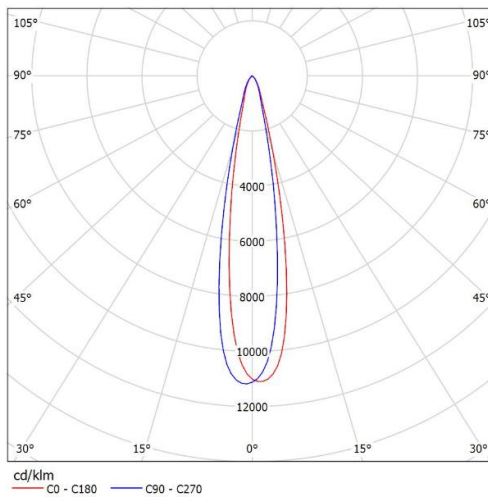


# Distribution Curve Flux

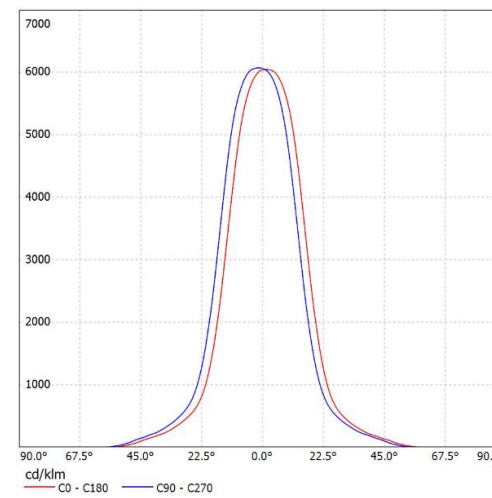
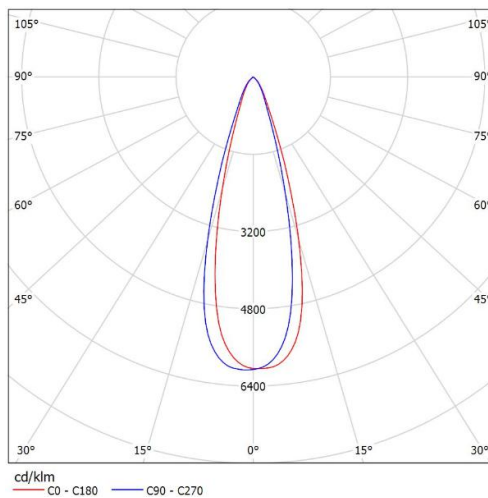
## SL-A-110A&SL-CXA18-HD-B



**SL-A-110A-S**  
K:14.72cd/Im,LED:CXA1820



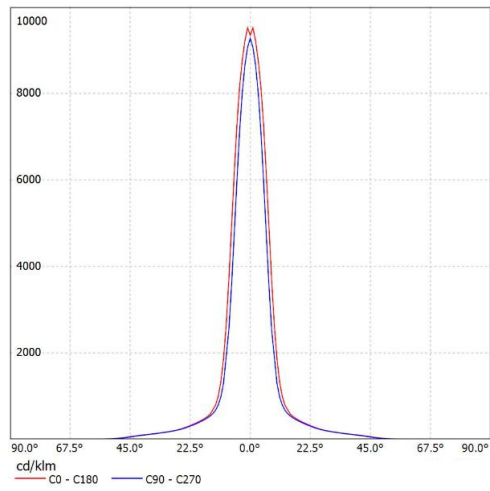
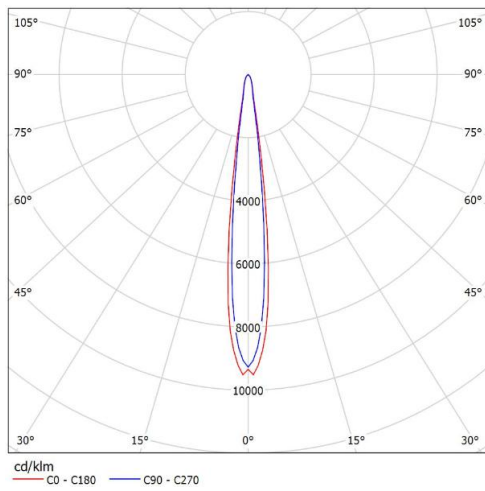
**SL-A-110A-M**  
K:5.45cd/Im,LED:CXA1820



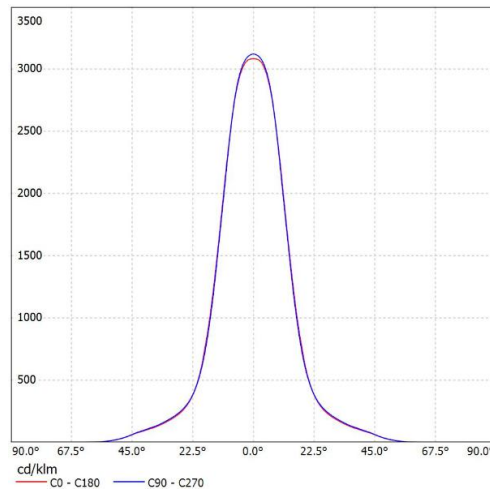
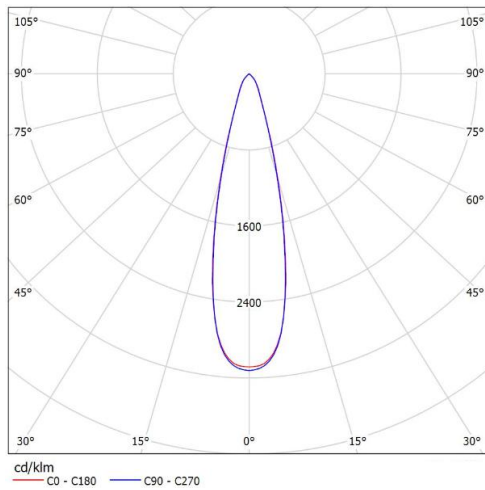
**SL-A-110A-L**  
K:2.97cd/Im,LED:CXA1820

# Distribution Curve Flux

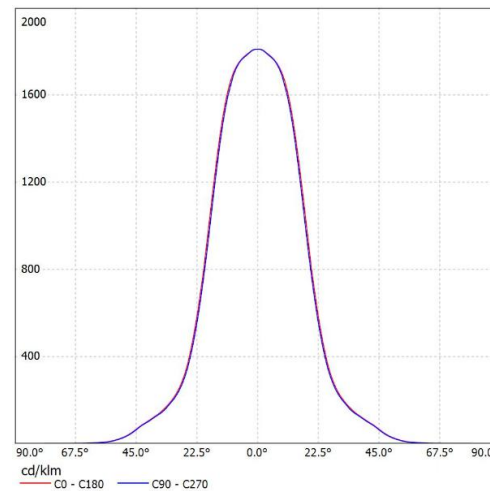
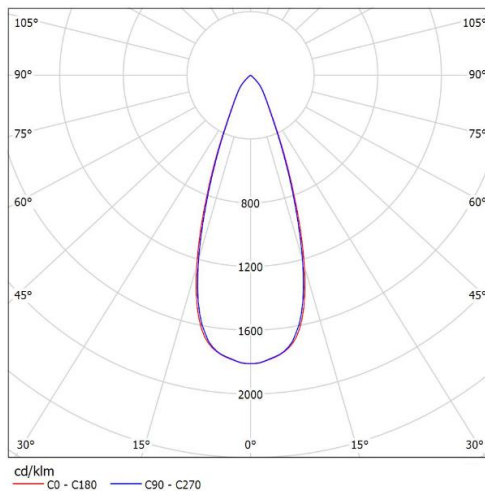
## SL-A-110A&SL-CHM-14-HD-B



**SL-A-110A-S**  
K:10.99cd/lm,LED:V13 Gen7



**SL-A-110A-M**  
K:3.63cd/lm,LED:V13 Gen7

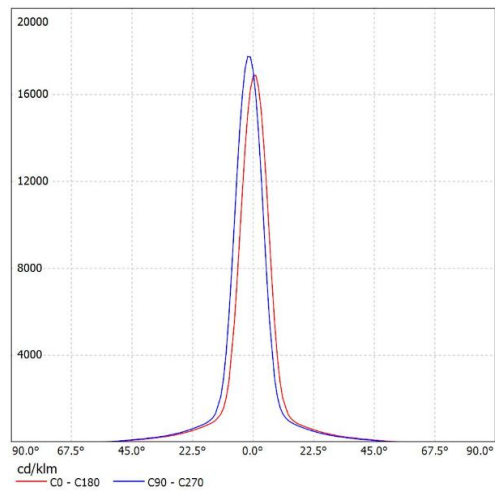
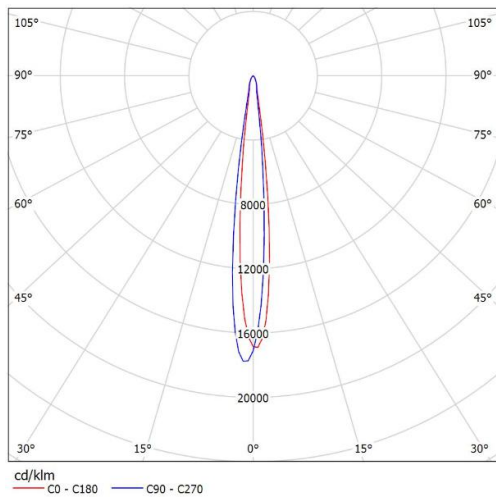


**SL-A-110A-L**  
K:2.08cd/lm,LED:V13 Gen7

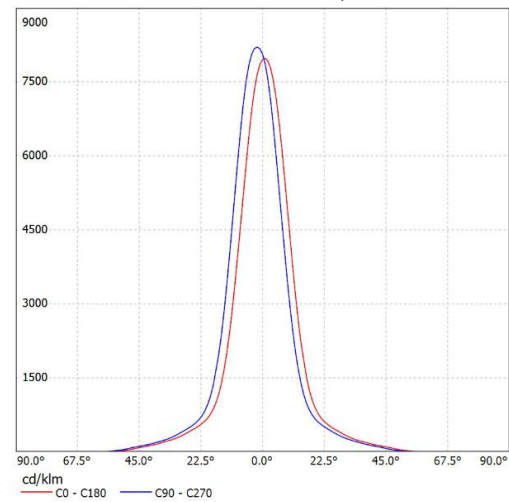
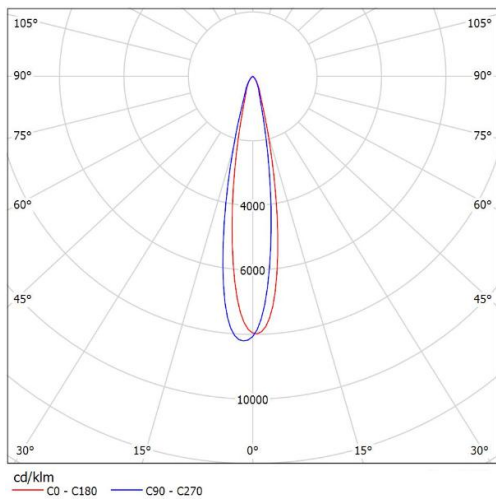


# Distribution Curve Flux

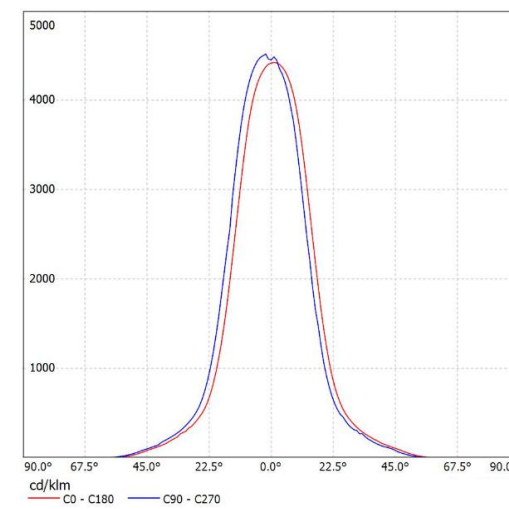
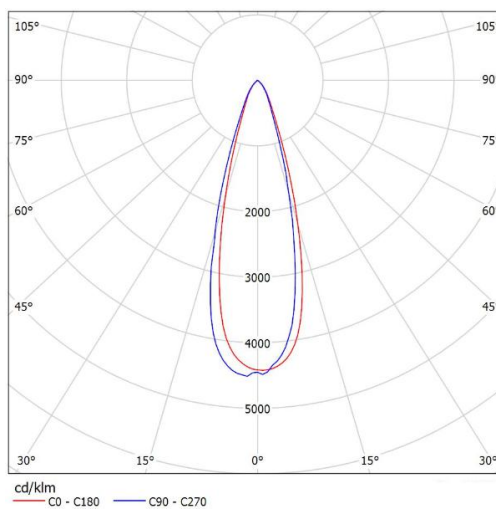
## SL-A-110A&SL-CLL030-HD-B



SL-A-110A-S  
K:12.14cd/Im,LED:CLL03X



SL-A-110A-M  
K:5.47cd/Im,LED:CLL03X



SL-A-110A-L  
K:3.03cd/Im,LED:CLL03X

## Package Description

SL-A-110A

Part NO.	Without pc cover		With pc cover		Box Size(cm)
	Number per Box (pcs)	Box Weigh(kg)	Number per Box (pcs)	Box Weigh(kg)	
SL-A-110A-S	150	7.43	105	7.50	62X 39X 38
SL-A-110A-M	150	7.85	105	7.83	62X 39X 38
SL-A-110A-L	150	8.60	105	8.35	62X 39X 38

## Notes

- It is not allowed to scrub the reflective surface. If there is dust on the surface, please clean by soft cotton with little water.
  - It is forbidden to clean with industrial solvent such as ethanol.
  - Storage temperature: 0°C-40°C, and humidity:30%-95%.
  - Recommended operating temperature (PC) is <100°C.
  - Keep reflectors in package to void the dust.
  - Prohibit the reflector touch with acid or alkaline solvent
- 

## About Shinland

Shenzhen Shinland Co. Ltd, one of the longest and most professional company in reflector field, have years experience. Different from other factory which only have simple process, all aspects included R&D, making mold, mass production and market support are achieved by our exclusive resources.

Insisting on “Quality First, Service First” and pragmatic, enterprising spirit, building the market by quality, casting our brand by credibility and integrity, Shinland now become the leading supplier of second-optical solution in China.