



Optics  
**Shinland**

Each Ray is brighter in Shinland

# SL-092D

## Details

Material:	PC
LENS Material:	PC
Process:	Vacuum Aluminum Plating
MAX Diameter:	92.0mm
Height:	45.5mm
Matched Holder:	SL-HD-B
Matched Cover:	SL-092-CLEAR-LENS/SL-092-MIXING-LENS
ROSH Compliant:	YES
Status:	Ready

## Optical Properties

Code	Typ. Angle	Typ. efficiency
SL-092D-S	8°-12°	90%
SL-092D-M	21°-22°	91%
SL-092D-L	38°-42°	93%
SL-092D-W	57°-60°	91%

## Photo



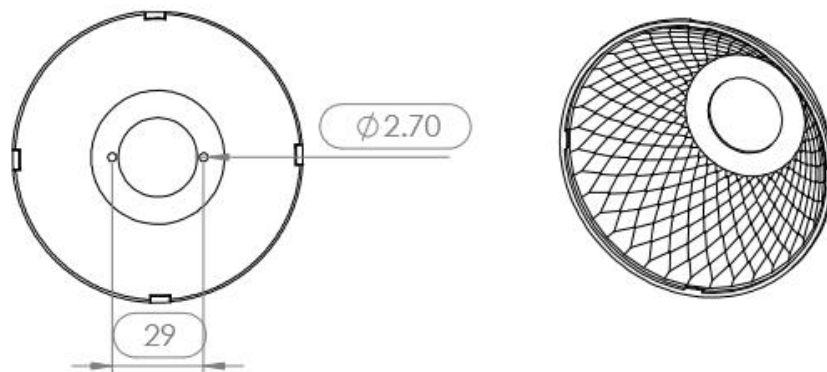
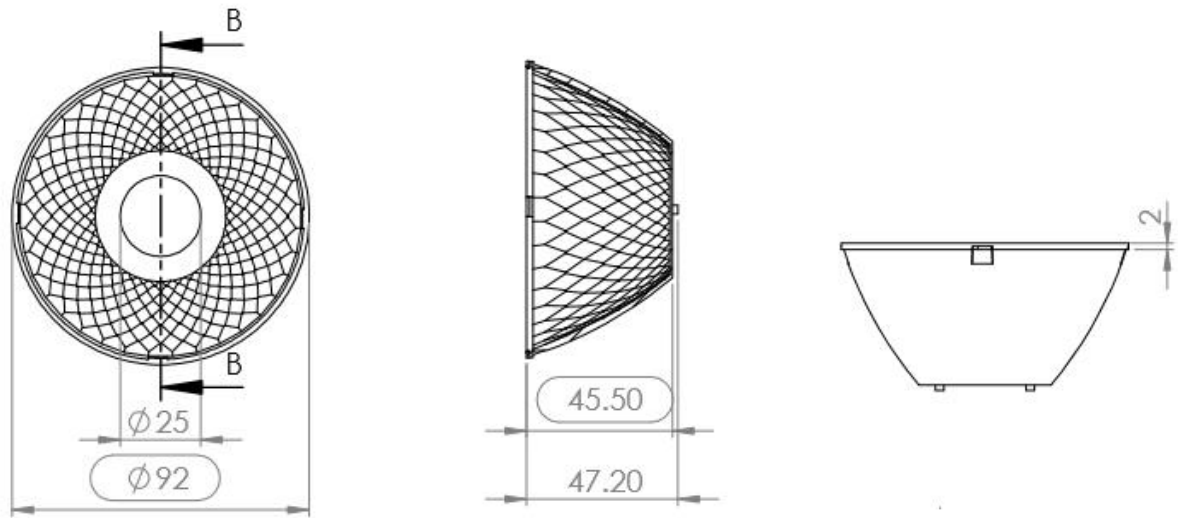
## Matched LED Source

CLU028	Soleriq S9
CLU038	Soleriq S13
CLU048	Soleriq S19
CLU711	
CLU721	105
CLU731	1202/1203
CLC020	1204/1205
	1208
CXM-9	
CXM-14	G4-10
CXM-18	G4-17
CXM-22	G4-23
CHM-9	
CHM-11	XTM-9
CHM-14	XTM-19
CDM-9/CTM-9	
CDM-14/CTM-14	LC020C
CDM-18/CTM-18	LC040C
	LC006B
CXA15	LC026B
CXA18	LC033B
CXA25	
CXA1830	
	EDC-38C
	EDC-47C
V10 Gen6	EDC-57C-20
V10 Gen7	EDC-57C-30
V13 Gen6	
V13 Gen7	
V15 Gen6	NVCxL024Z
V18 Gen6	NVExJ048Z
V18 Gen7	NFCxL036B
V22 Gen6	NFCxL060B
V22 Gen7	NFCxJ108B
Vero13	NFDxJ130B
Vero18	
E8	
E13	
Vesta TW9	
Vesta TW13	

# Dimensional Figure

SL-092D

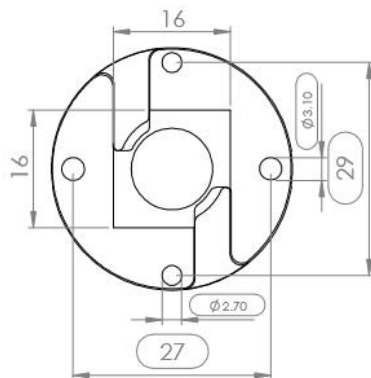
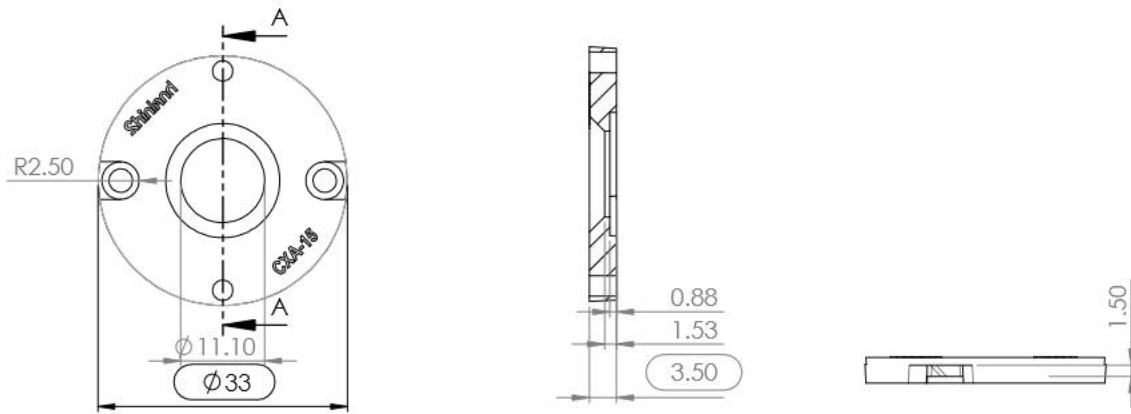
Measure Unit: mm



# Dimensional Figure

SL-CXA15-HD-B

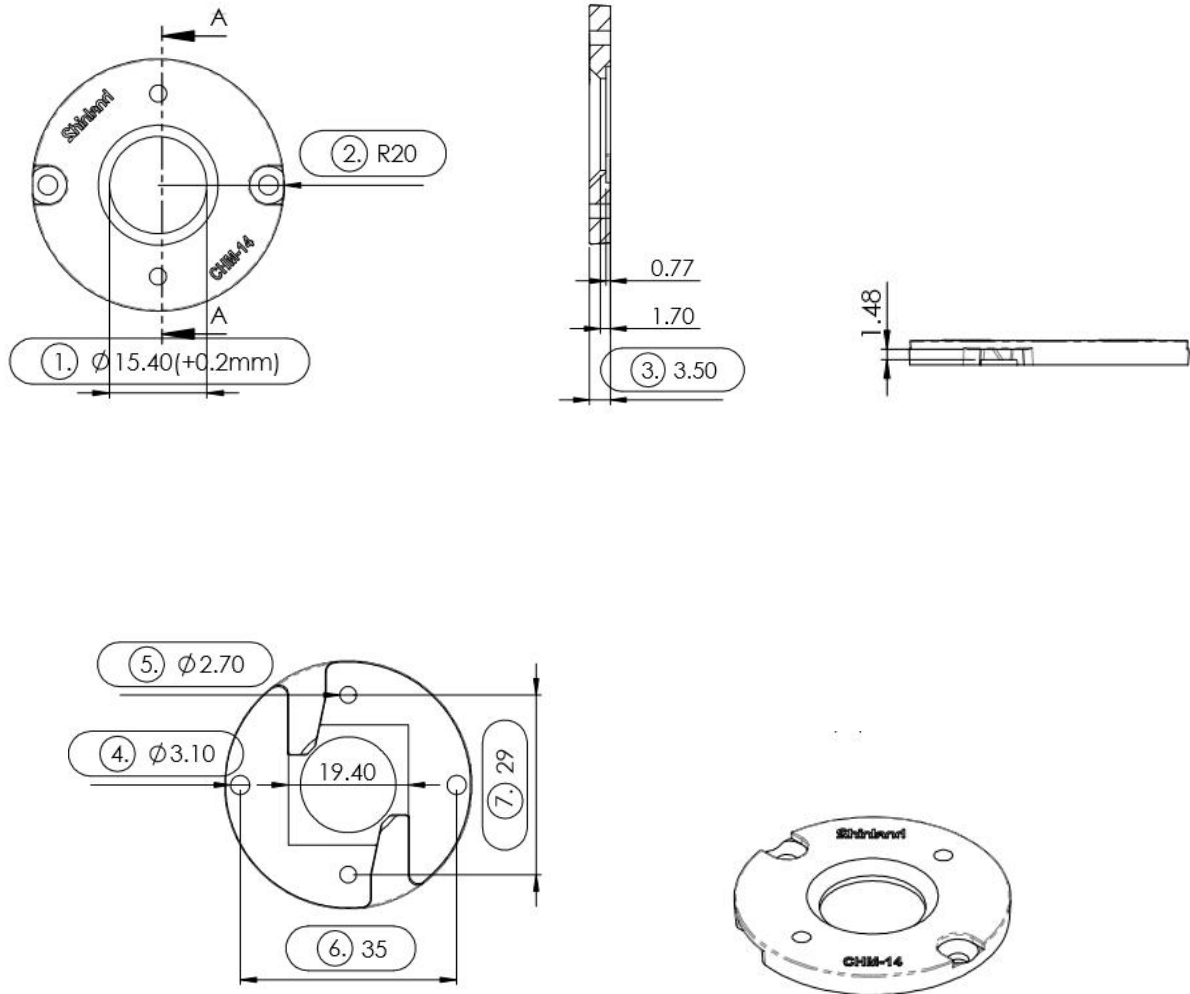
Measure Unit: mm



# Dimensional Figure

SL-CHM-14-HD-B

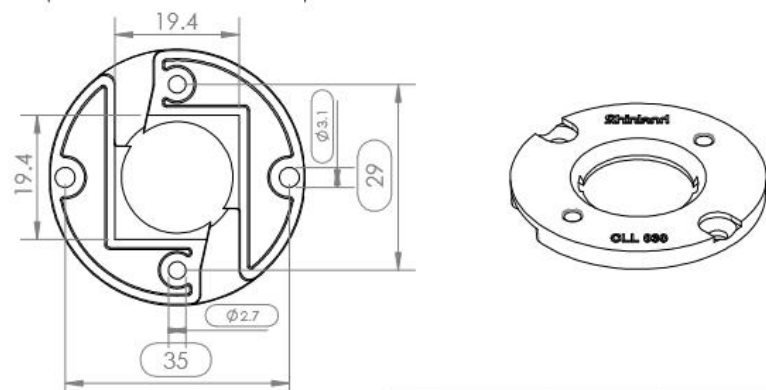
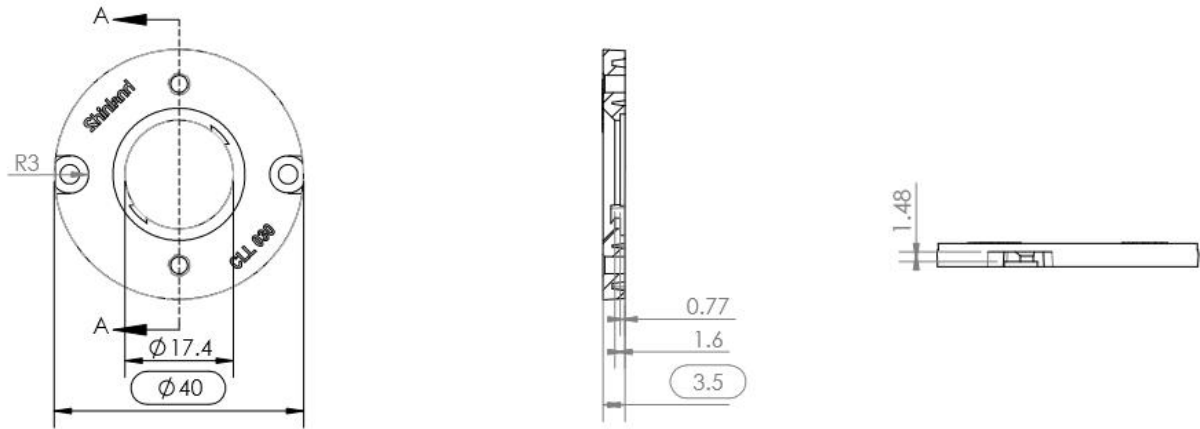
Measure Unit: mm



# Dimensional Figure

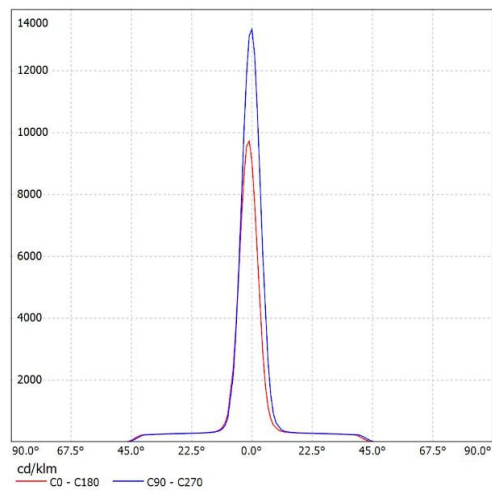
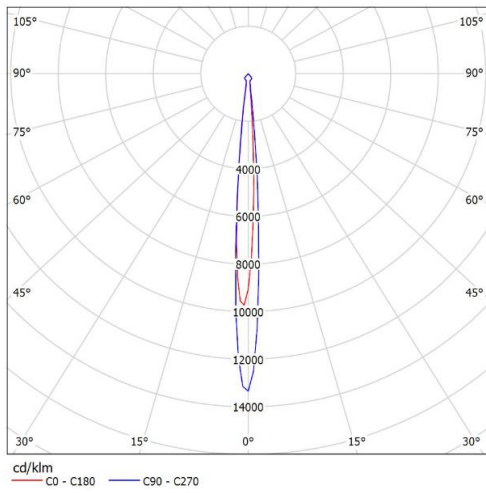
SL-CLL030-HD-B

Measure Unit: mm

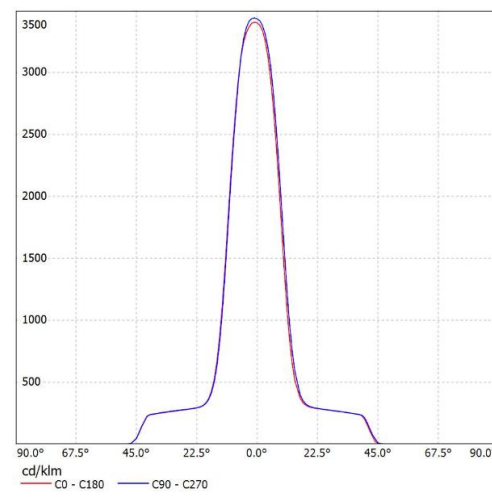
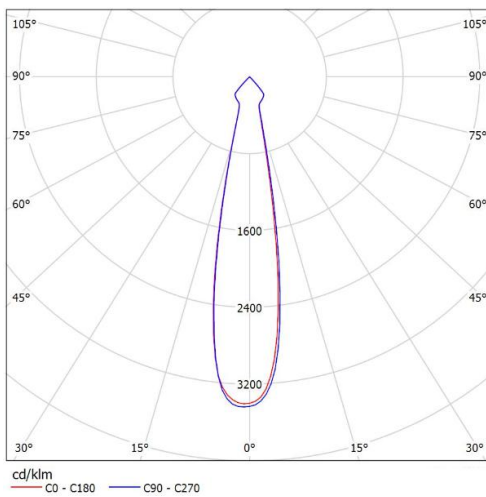


# Distribution Curve Flux

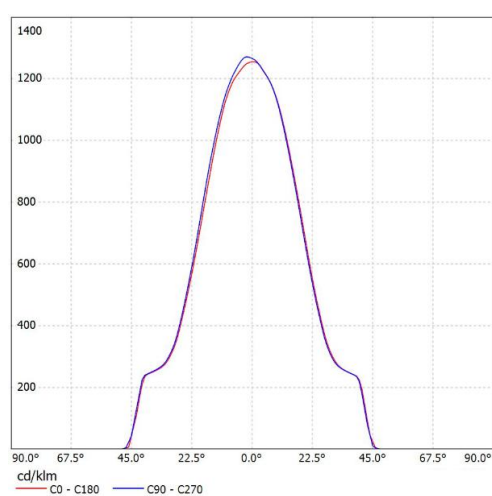
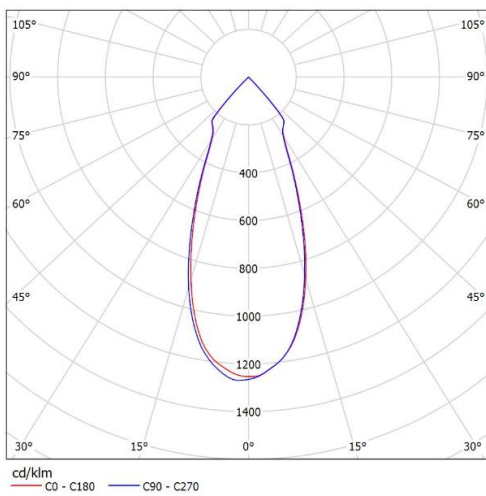
## SL-092D&SL-CXA15-HD-B



**SL-092D-S**  
K:16.73cd/lm,LED:CXA15XX



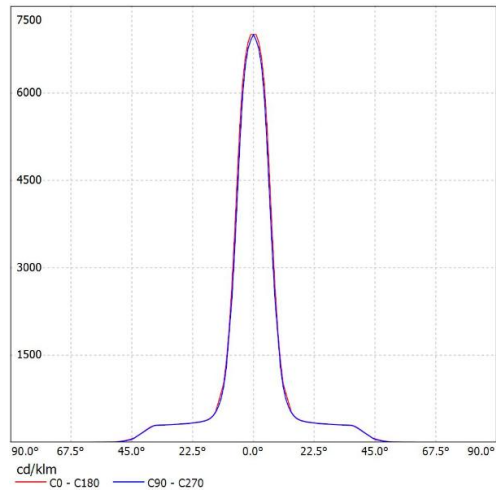
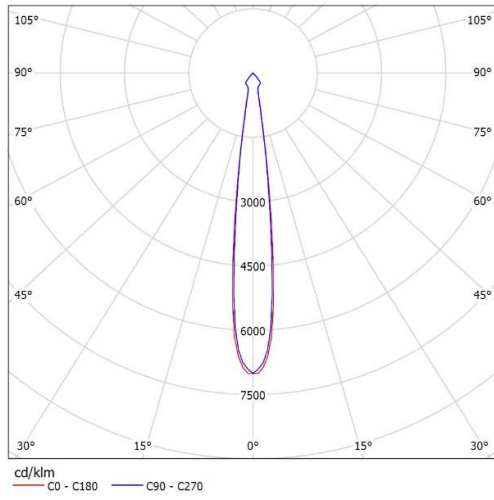
**SL-092D-M**  
K:4.39cd/lm,LED:CXA15XX



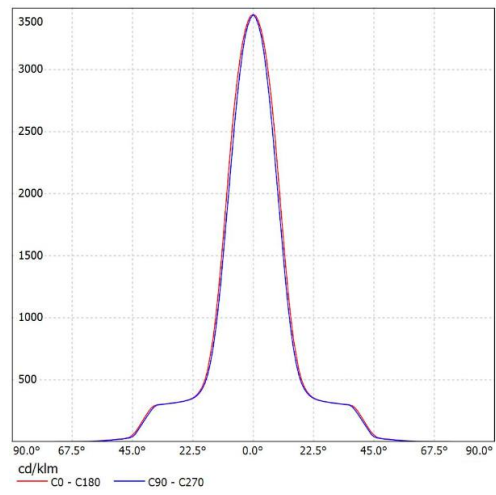
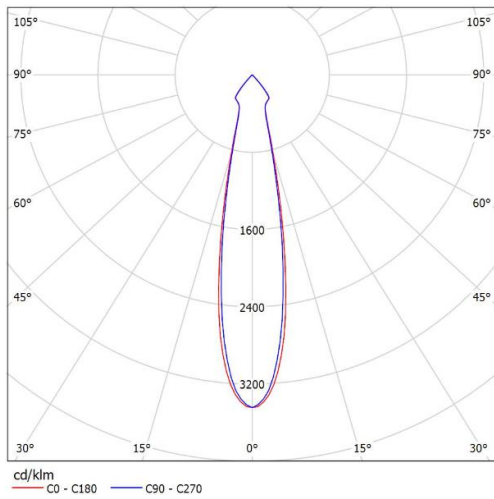
**SL-092D-L**  
K:1.60cd/lm,LED:CXA15XX

# Distribution Curve Flux

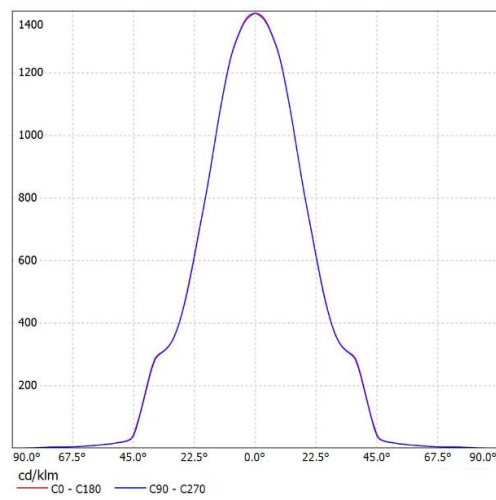
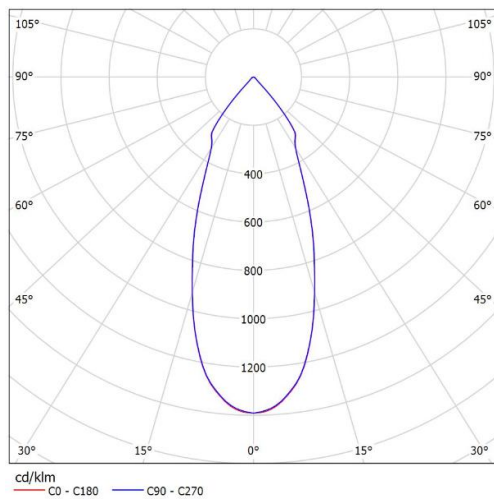
## SL-092D&SL-CHM-14-HD-B



**SL-092D-S**  
K:7.77cd/lm,LED:V13 Gen7



**SL-092D-M**  
K:3.82cd/lm,LED:V13 Gen7

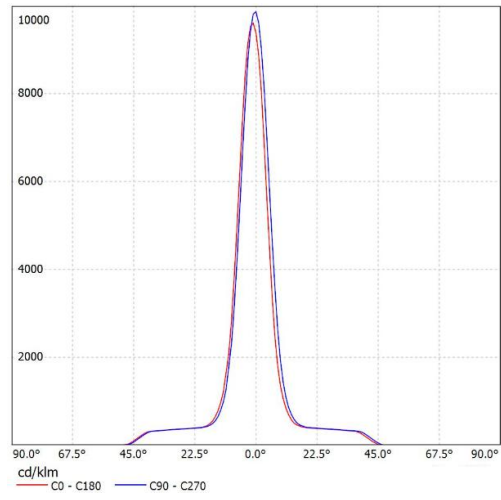
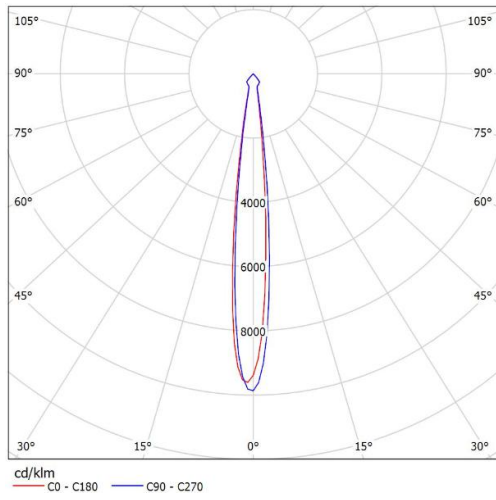


**SL-092D-L**  
K:1.56cd/lm,LED:V13 Gen7

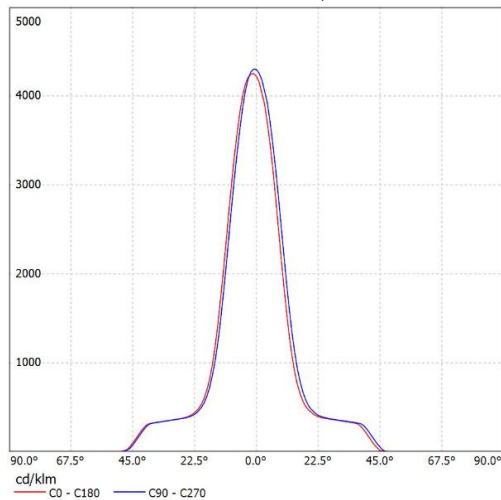
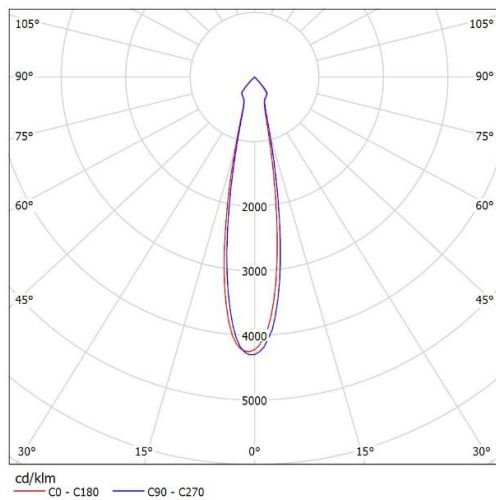


# Distribution Curve Flux

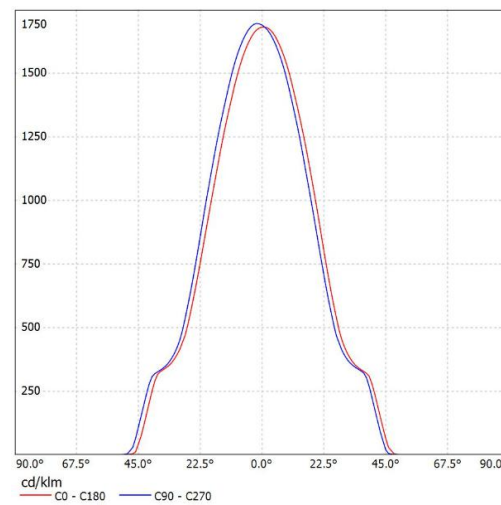
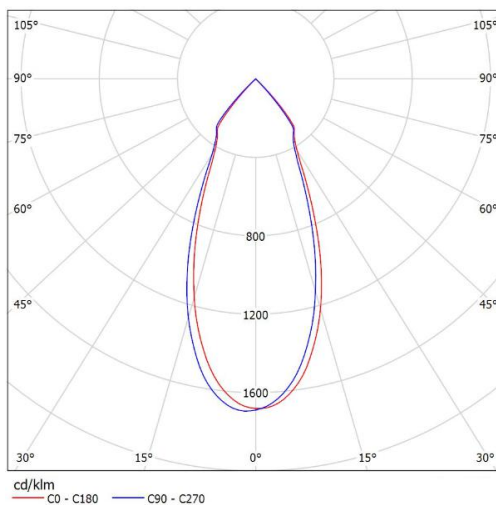
## SL-092D&SL-CLL030-HD-B



**SL-092D-S**  
K:9.72cd/lm,LED:CLL03X



**SL-092D-M**  
K:4.13cd/lm,LED:CLL03X



**SL-092D-L**  
K:1.60cd/lm,LED:CLL03X

## Package Description

SL-092D

Part NO.	Without pc cover		With pc cover		Box Size(cm)
	Number per Box (pcs)	Box Weigh(kg)	Number per Box (pcs)	Box Weigh(kg)	
SL-092D-S	234	8.30	144	7.13	64X 34X 38
SL-092D-M	234	7.95	144	7.03	64X 34X 38
SL-092D-L	234	8.20	144	6.95	64X 34X 38

## Notes

- It is not allowed to scrub the reflective surface. If there is dust on the surface, please clean by soft cotton with little water.
  - It is forbidden to clean with industrial solvent such as ethanol.
  - Storage temperature: 0°C-40°C, and humidity:30%-95%.
  - Recommended operating temperature (PC) is <100°C.
  - Keep reflectors in package to void the dust.
  - Prohibit the reflector touch with acid or alkaline solvent
- 

## About Shinland

Shenzhen Shinland Co. Ltd, one of the longest and most professional company in reflector field, have years experience. Different from other factory which only have simple process, all aspects included R&D, making mold, mass production and market support are achieved by our exclusive resources.

Insisting on “Quality First, Service First” and pragmatic, enterprising spirit, building the market by quality, casting our brand by credibility and integrity, Shinland now become the leading supplier of second-optical solution in China.