



Optics  
**Shinland**

Each Ray is brighter in Shinland

# SL-A-075E

## Details

Material:	PC
LENS Material:	PC
Process:	Vacuum Aluminum Plating
MAX Diameter:	75.0mm
Height:	41.0mm
Matched Holder:	SL-HD-B
Matched Cover:	SL-075-CLEAR-LENS/SL-075-MIXING-LENS SL-075-WOF-LENS-B/SL-075-FSQ-LENS-B SL-075-M-LENS-B/SL-075-F-LENS-B SL-075-WW-LENS-B/SL-075-MOF-LENS-B
Matched Lens:	SL-A-075E-LENS
ROSH Compliant:	YES
Status:	Ready

## Optical Properties

Code	Typ. Angle	Typ. efficiency
SL-A-075E-S	13°-19°	87%
SL-A-075E-M	28°-29°	89%
SL-A-075E-L	34°-39°	89%

## Photo



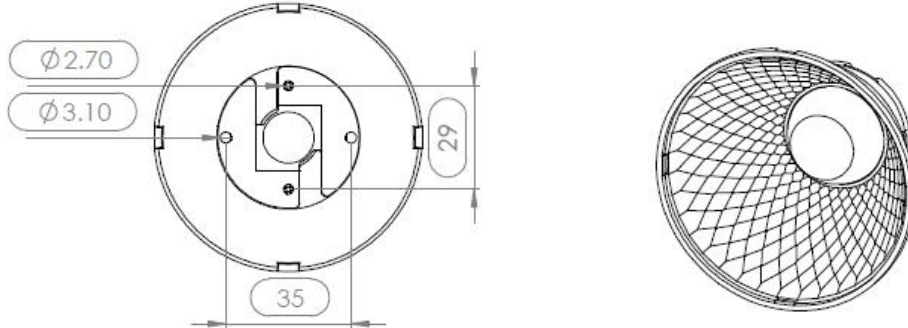
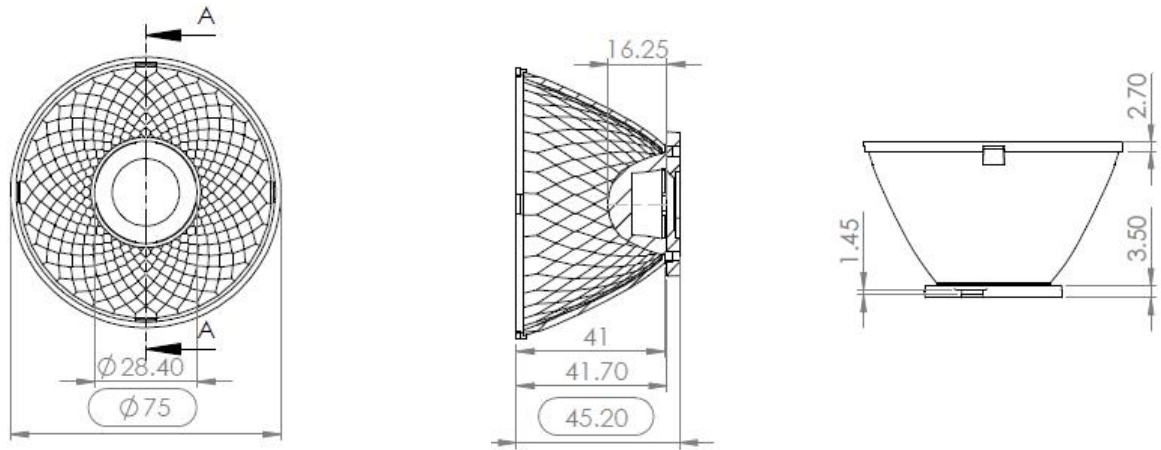
## Matched LED Source

CLU028	105
CLU038	1202/1203
CLU701	1204/1205
CLU711	1208
CLU721	
CLU731	G4-10
CLC020	G4-17
CXM-6	XTM-9
CXM-7	
CXM-9	LC010C
CXM-14	LC020C
CHM-6	LC006B
CHM-9	LC040C
CHM-11	LC026B
CHM-14	LC033B
CDM-9/CTM-9	
CDM-14/CTM-14	EDC-38C
CDM-18/CTM-18	EDC-47C EDC-57C-20
CXA13	
CXA15	NJCxS024Z
CXA18	NVCxL024Z
CXA1830	NVExJ048Z NTCxS024B NFCxL036B NFCxL060B NFCxJ108B NFDxJ130B
V10 Gen6	
V10 Gen7	
V13 Gen6	
V13 Gen7	
V15 Gen6	
Vero13	
E8	
E13	
Vesta TW9	
Vesta TW13	
Solერიq S9	
Solერიq S13	

# Dimensional Figure

## SL-A-075E&SL-A-075E-LENS

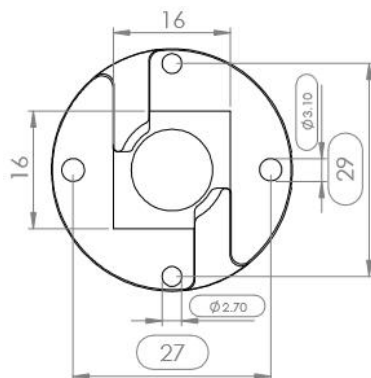
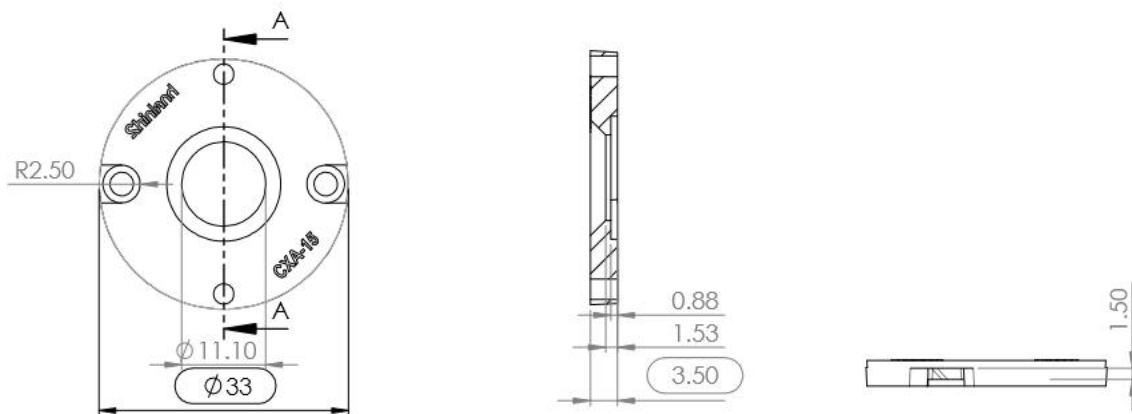
Measure Unit: mm



# Dimensional Figure

SL-CXA15-HD-B

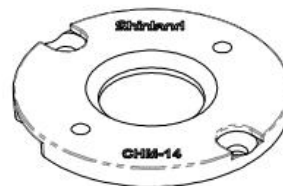
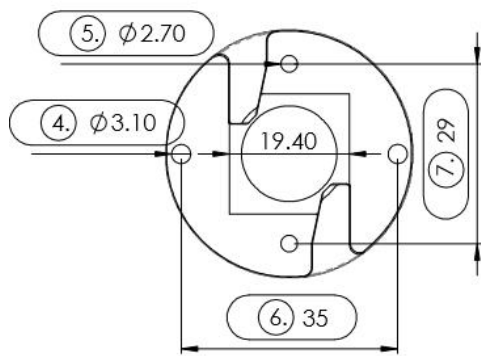
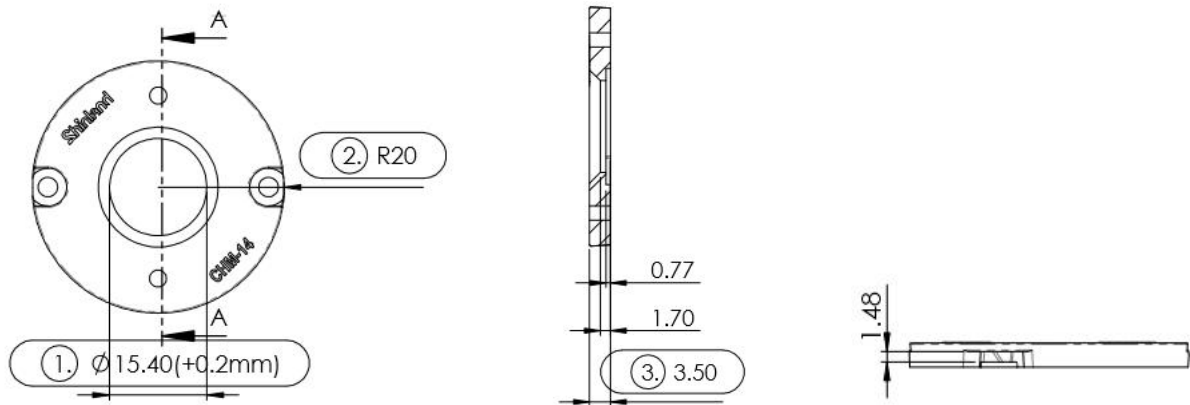
Measure Unit: mm



# Dimensional Figure

SL-CHM-14-HD-B

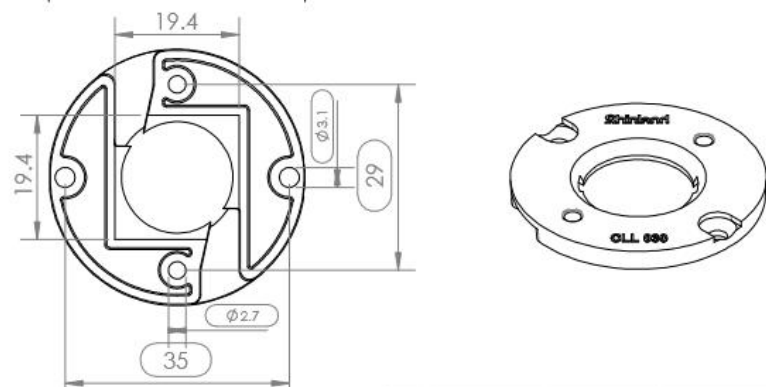
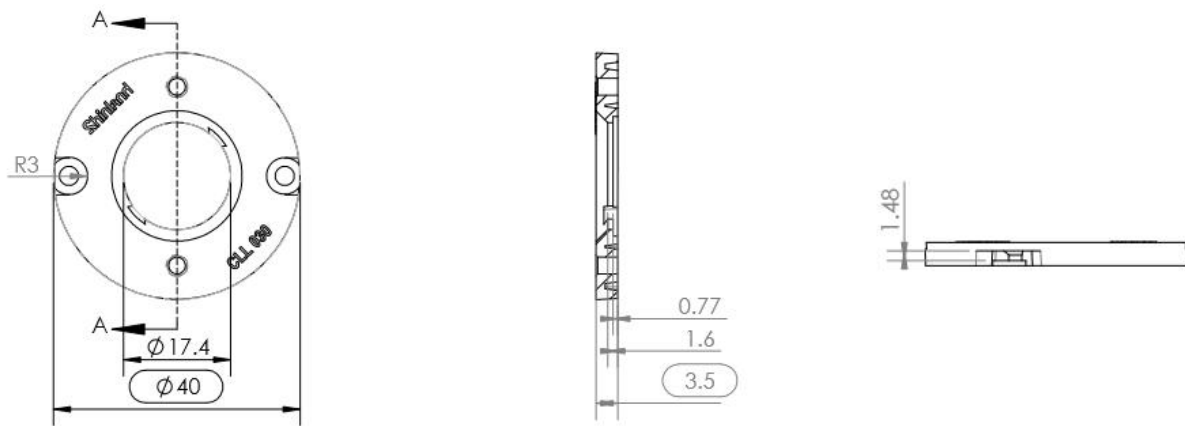
Measure Unit: mm



# Dimensional Figure

SL-CLL030-HD-B

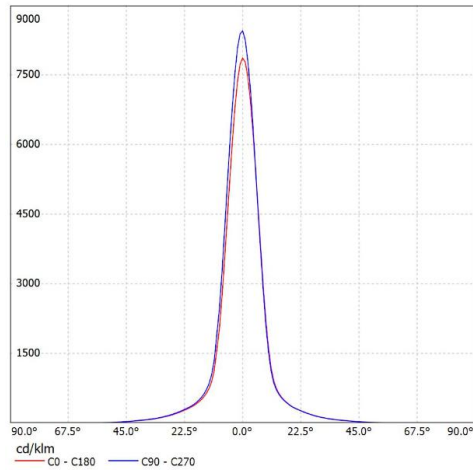
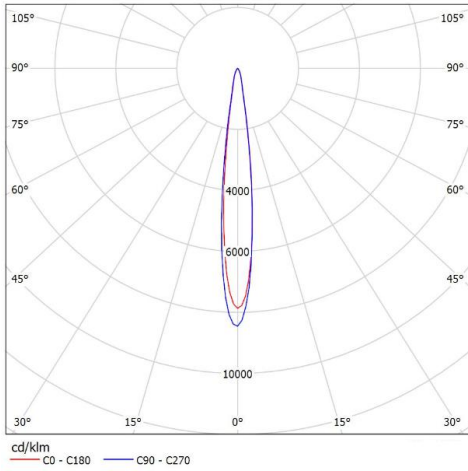
Measure Unit: mm



# Distribution Curve Flux

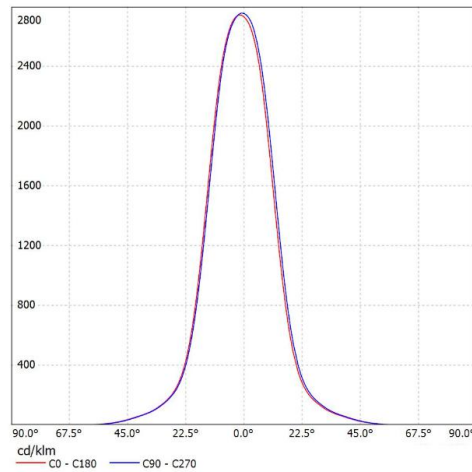
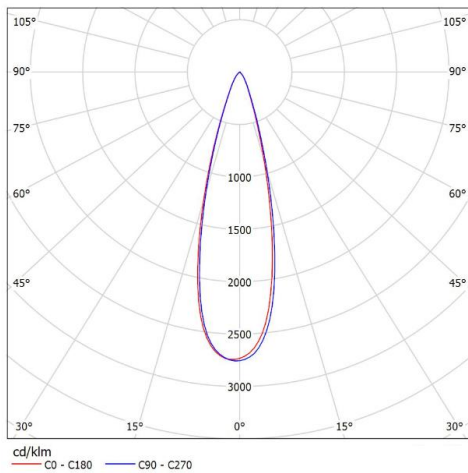
SL-A-075E

&SL-A-075E-LENS&SL-CXA15-HD-B



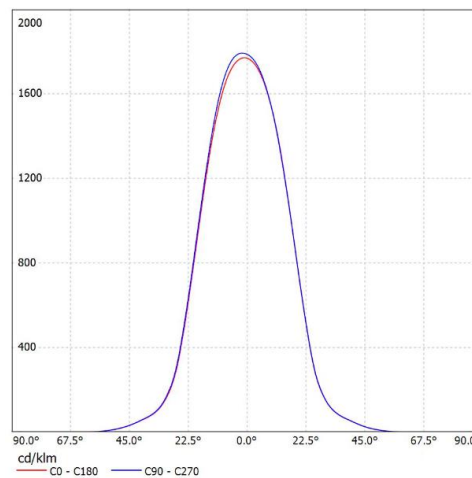
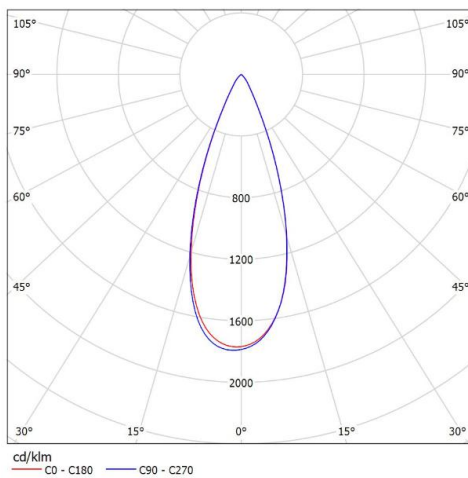
SL-A-075E-S

K:11.34cd/lm,LED:CXA15XX



SL-A-075E-M

K:3.62cd/lm,LED:CXA15XX



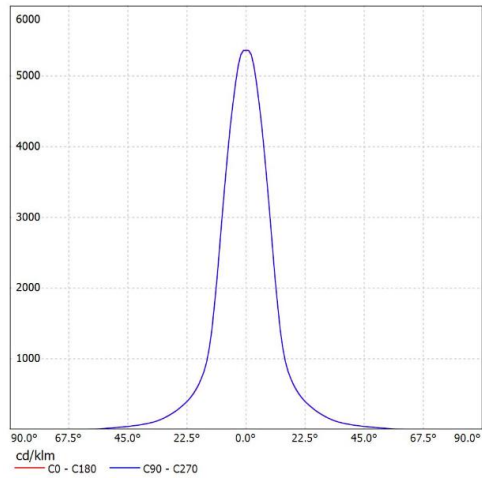
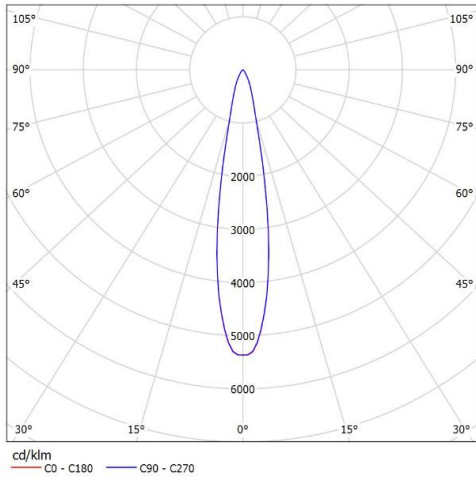
SL-A-075E-L

K:2.36cd/lm,LED:CXA15XX

# Distribution Curve Flux

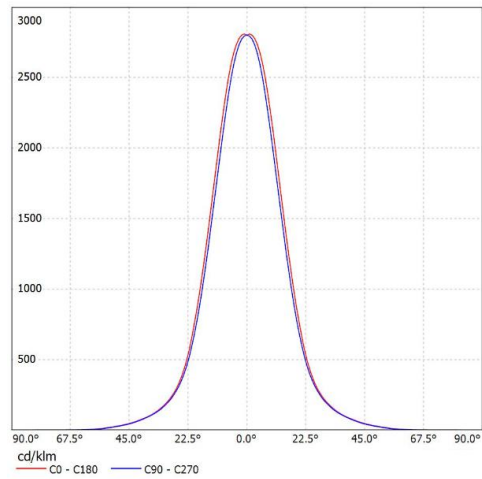
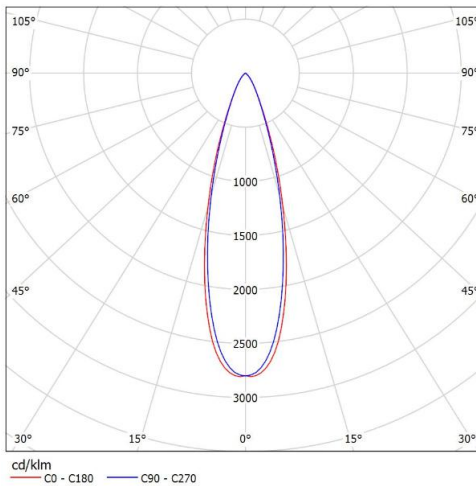
SL-A-075E

&SL-A-075E-LENS&SL-CHM-14-HD-B



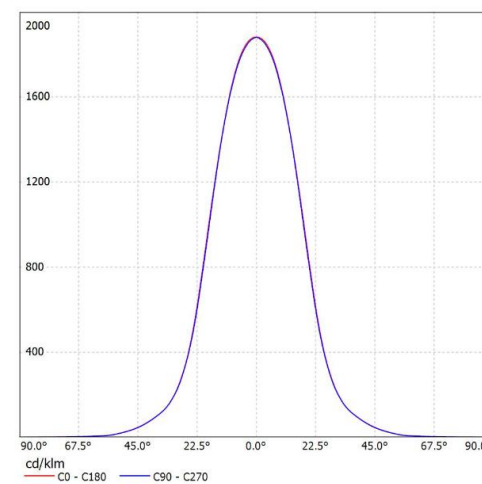
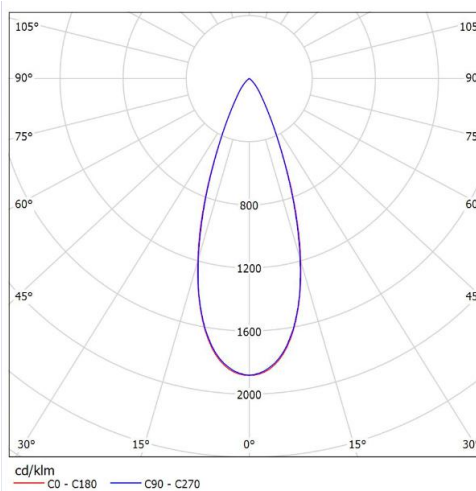
SL-A-075E-S

K:6.15cd/lm,LED:V13 Gen7



SL-A-075E-M

K:3.22cd/lm,LED:V13 Gen7



SL-A-075E-L

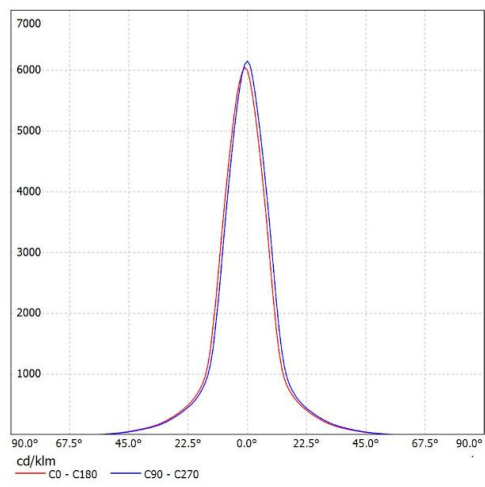
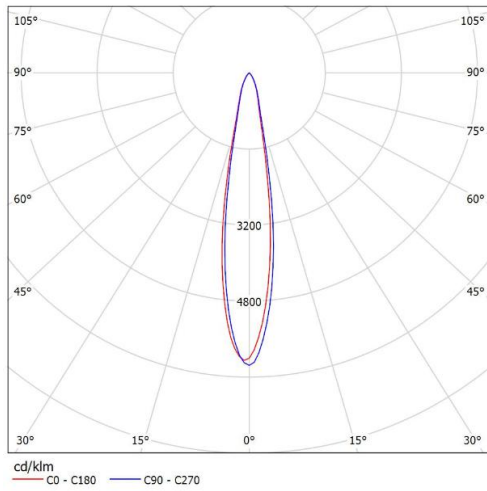
K:2.18cd/lm,LED:V13 Gen7



# Distribution Curve Flux

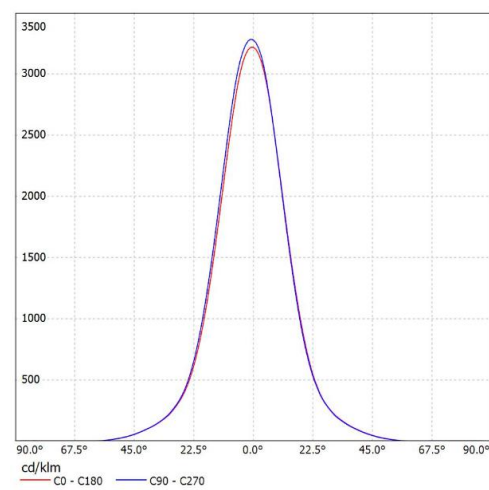
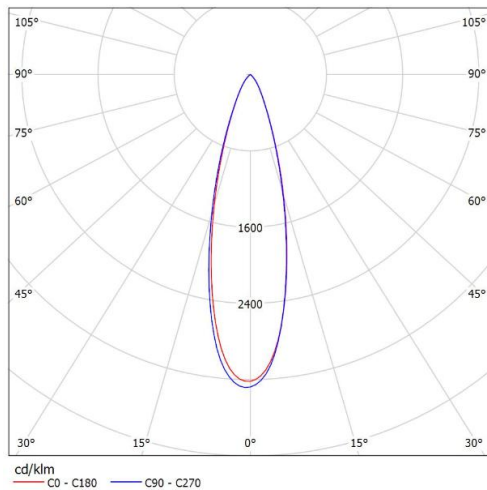
SL-A-075E

&SL-A-075E-LENS&SL-CLL030-HD-B



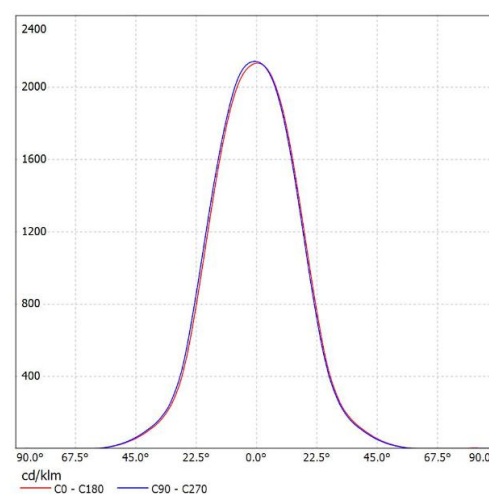
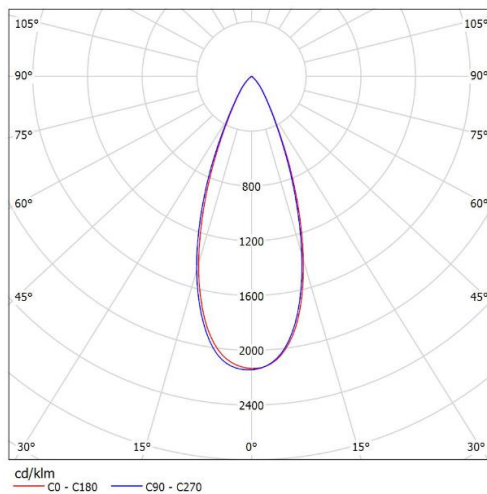
SL-A-075E-S

K:6.08cd/Im,LED:CLL03X



SL-A-075E-M

K:3.22cd/Im,LED:CLL03X



SL-A-075E-L

K:2.08cd/Im,LED:CLL03X

## Package Description

SL-A-075E

Part NO.	Without pc cover		With pc cover		Box Size(cm)
	Number per Box (pcs)	Box Weigh(kg)	Number per Box (pcs)	Box Weigh(kg)	
SL-A-075E-S	384	8.45	288	8.35	70X 37X 38
SL-A-075E-M	384	8.10	288	8.23	70X 37X 38
SL-A-075E-L	384	8.25	288	8.10	70X 37X 38

## Notes

- It is not allowed to scrub the reflective surface. If there is dust on the surface, please clean by soft cotton with little water.
  - It is forbidden to clean with industrial solvent such as ethanol.
  - Storage temperature: 0°C-40°C, and humidity:30%-95%.
  - Recommended operating temperature (PC) is <100°C.
  - Keep reflectors in package to void the dust.
  - Prohibit the reflector touch with acid or alkaline solvent
- 

## About Shinland

Shenzhen Shinland Co. Ltd, one of the longest and most professional company in reflector field, have years experience. Different from other factory which only have simple process, all aspects included R&D, making mold, mass production and market support are achieved by our exclusive resources.

Insisting on “Quality First, Service First” and pragmatic, enterprising spirit, building the market by quality, casting our brand by credibility and integrity, Shinland now become the leading supplier of second-optical solution in China.