



Optics  
**Shinland**

Each Ray is brighter in Shinland

# SL-050K

## Details

Material:	URC2500
Cover Material:	PC
Process:	Vaccum Aluminum Plating PC
MAX Diameter:	50.0mm
Height:	22.7mm
Matched Holder:	SL-HD-B
Matched Cover:	SL-050-CLEAR-LENS/SL-050-MIXING-LENS-A
ROSH Compliant:	YES
Status:	Ready

## Optical Properties

Code	Typ. Angle	Typ. efficiency
SL-050K-S	11°-24°	91%
SL-050K-M	22°-30°	91%
SL-050K-F	38°-51°	90%
SL-050K-L	47°-50°	91%

## Photo

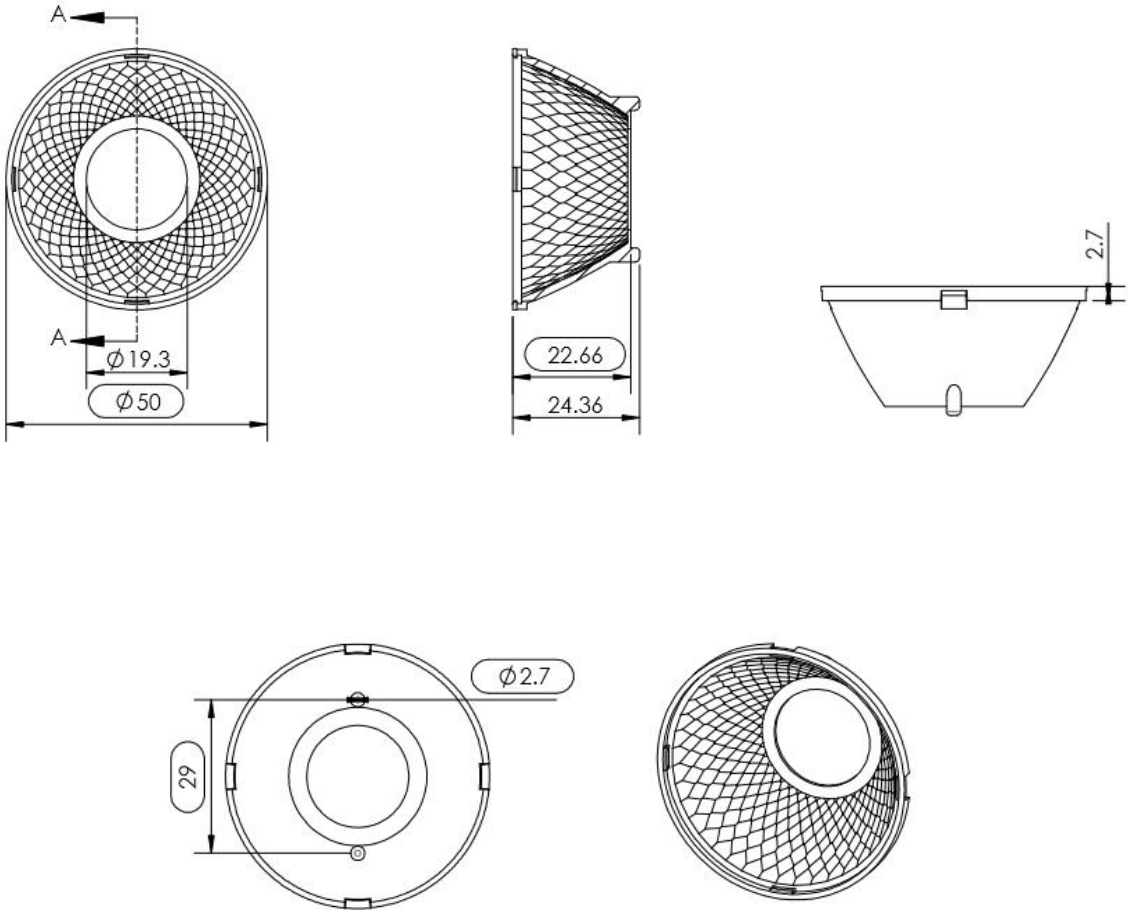


## Matched LED Source

CLU028	Solერიq S9
CLU038	Solერიq S13
CLU701	
CLU711	105
CLU721	1202/1203
CLU731	1204/1205
CLC020	1208
CXM-6	G4-10
CXM-7	G4-17
CXM-9	
CXM-14	XTM-9
CXM-18	
CHM-6	LC010C
CHM-9	LC020C
CHM-11	LC006B
CHM-14	LC040C
CDM-6	LC026B
CDM-9/CTM-9	LC033B
CDM-14/CTM-14	
CDM-18/CTM-18	EDC-38C
	EDC-47C
CXA13	EDC-57C-20
CXA15	
CXA18	
CXA1830	NJCxS024Z
	NVCxL024Z
	NVExJ048Z
V10 Gen6	NTCxS024B
V10 Gen7	NFCxL036B
V13 Gen6	NFCxL060B
V13 Gen7	NFCxJ108B
V15 Gen6	NFDxJ130B
V18 Gen6	
Vero13	
Vero18	
E8	
E13	
Vesta TW9	
Vesta TW13	

# Dimensional Figure SL-050K

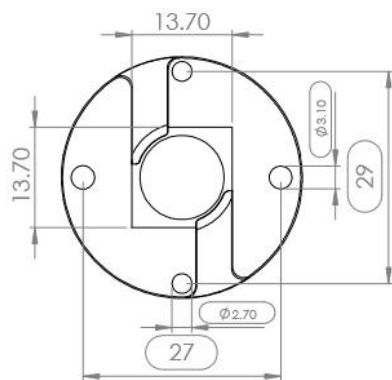
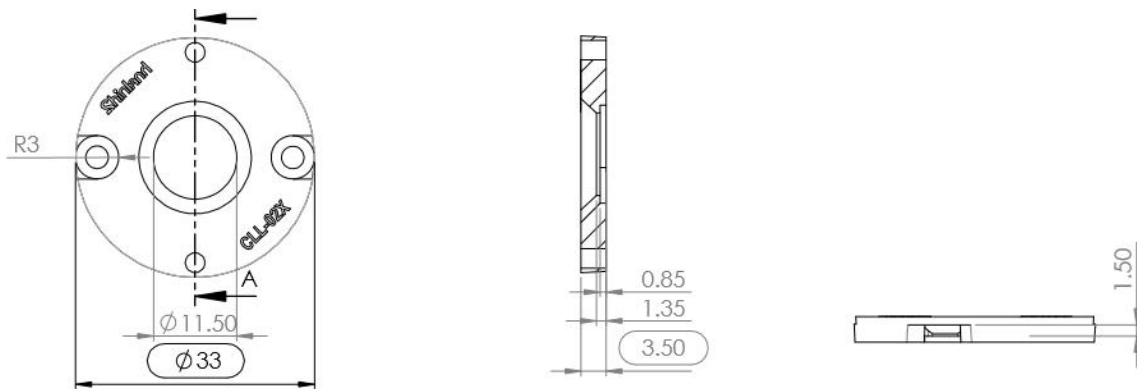
Measure Unit: mm



# Dimensional Figure

SL-CLL02X-HD-B

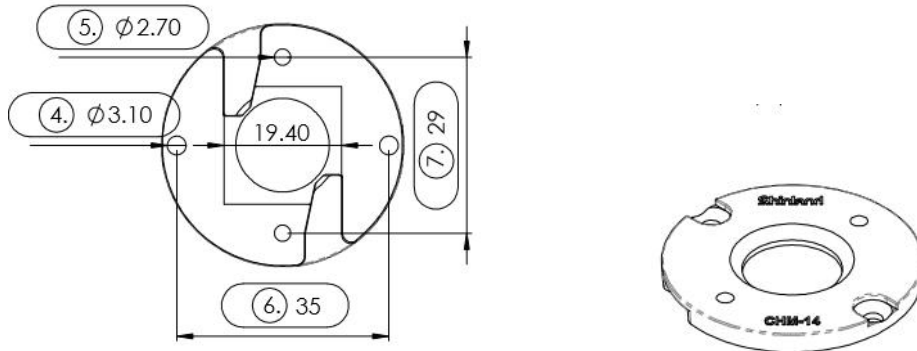
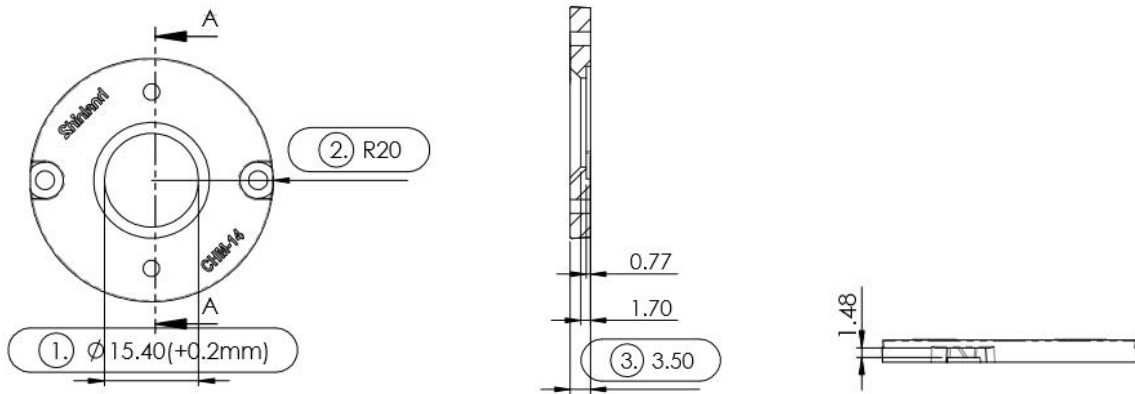
Measure Unit: mm



# Dimensional Figure

SL-CHM-14-HD-B

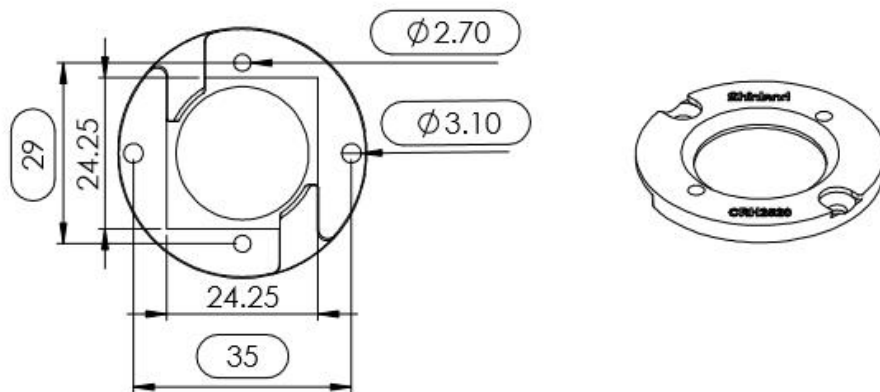
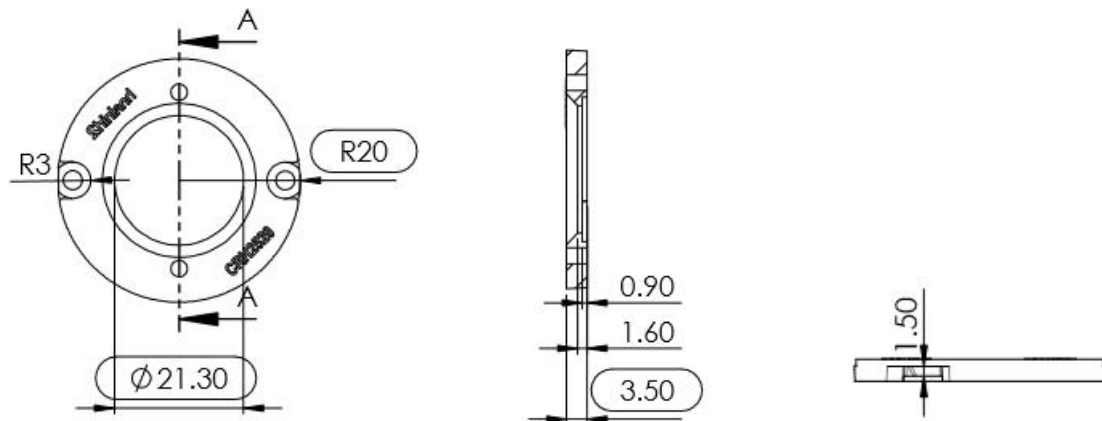
Measure Unit: mm



# Dimensional Figure

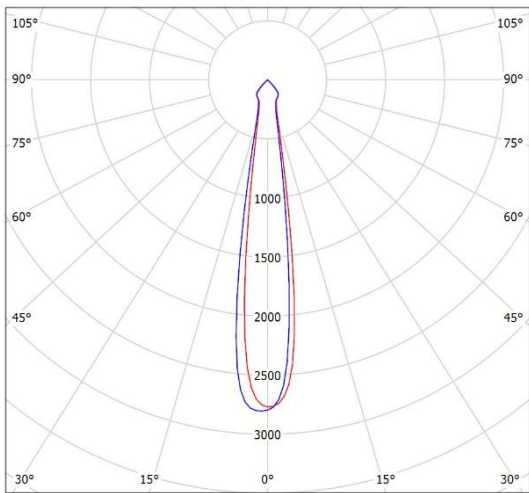
SL-CXA25-HD-B

Measure Unit: mm

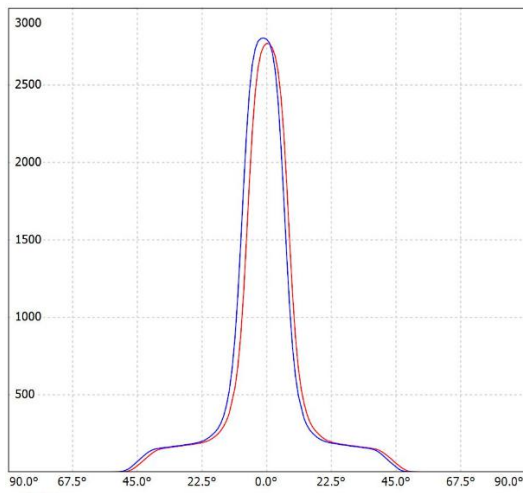


# Distribution Curve Flux

SL-050K&SL-CLL020-HD-B

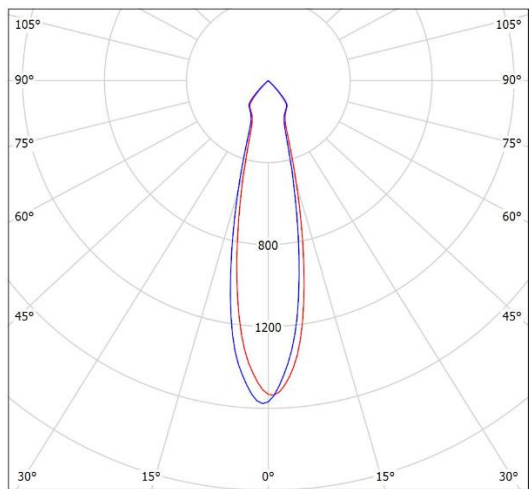


cd/klm  
— C0 - C180 — C90 - C270

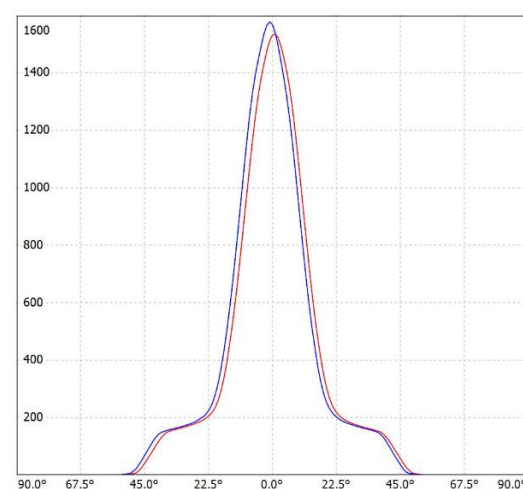


cd/klm  
— C0 - C180 — C90 - C270

SL-050K-S  
K:5.71cd/lm,LED:02x



cd/klm  
— C0 - C180 — C90 - C270

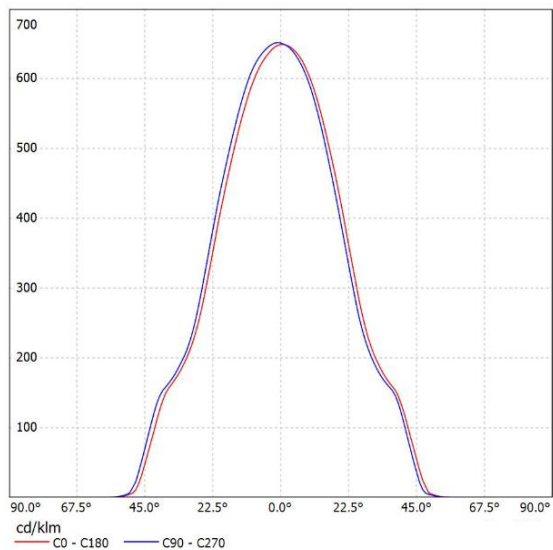
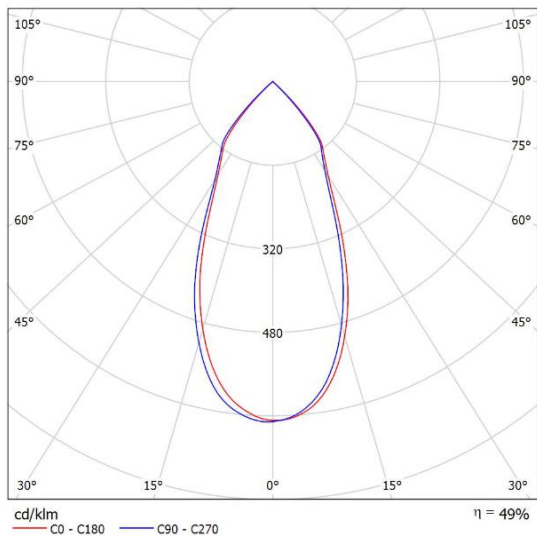


cd/klm  
— C0 - C180 — C90 - C270

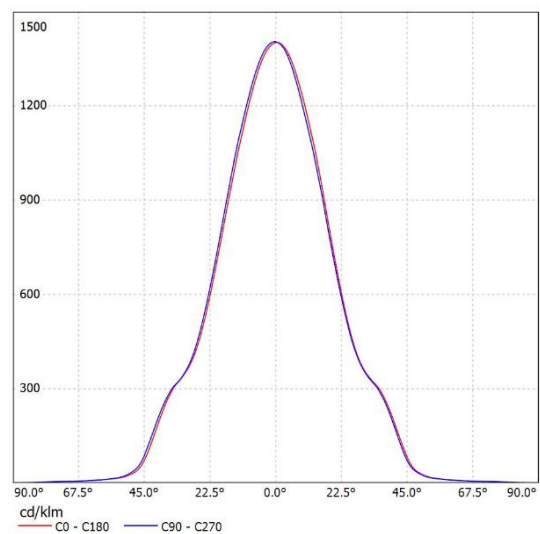
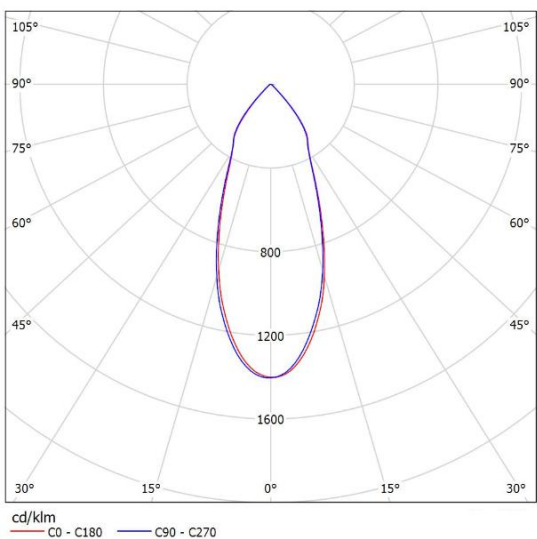
SL-050K-M  
K:3.23cd/lm,LED:02x

# Distribution Curve Flux

SL-050K&SL-CLL020-HD-B



SL-050K-L  
K:1.33cd/lm,LED:02x

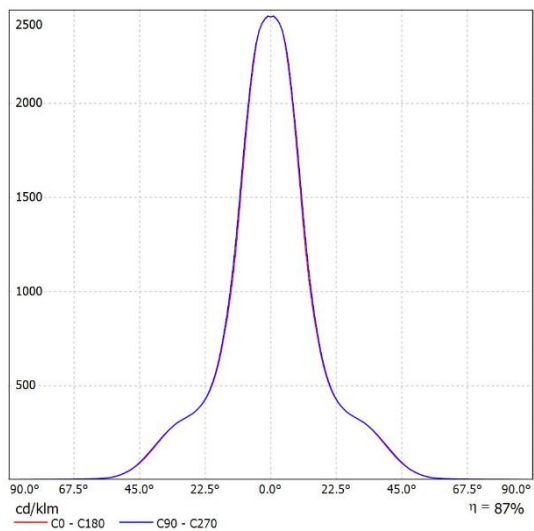
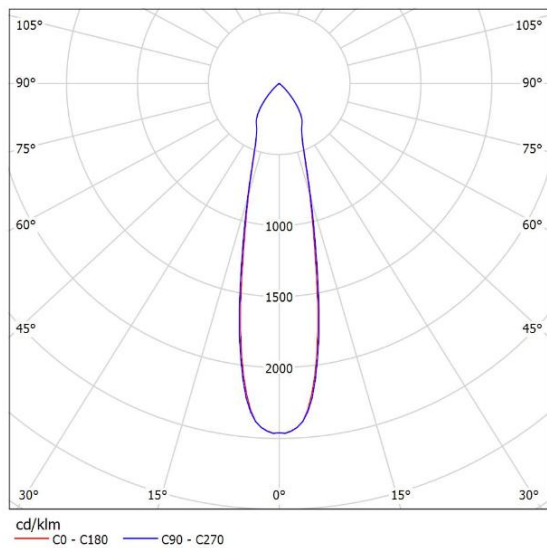


SL-050K-F  
K:1.56cd/lm,LED:02x

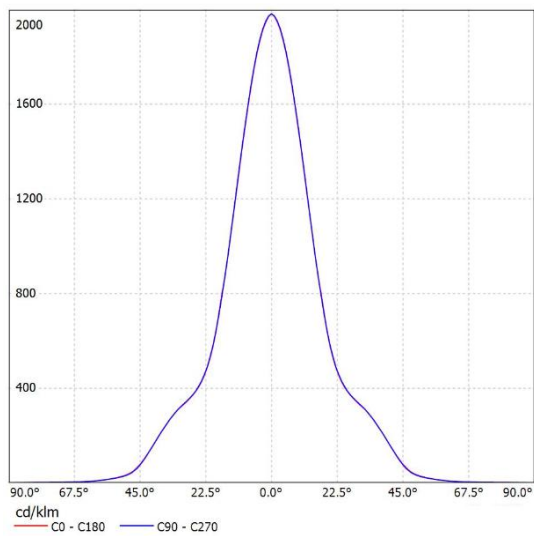
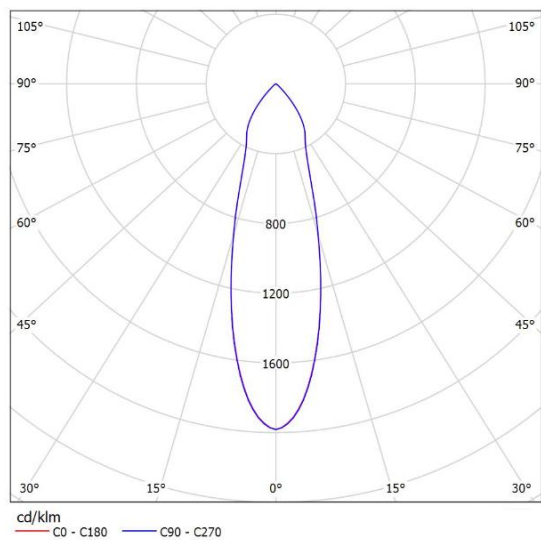


# Distribution Curve Flux

SL-050K&SL-CHM-14-HD-B



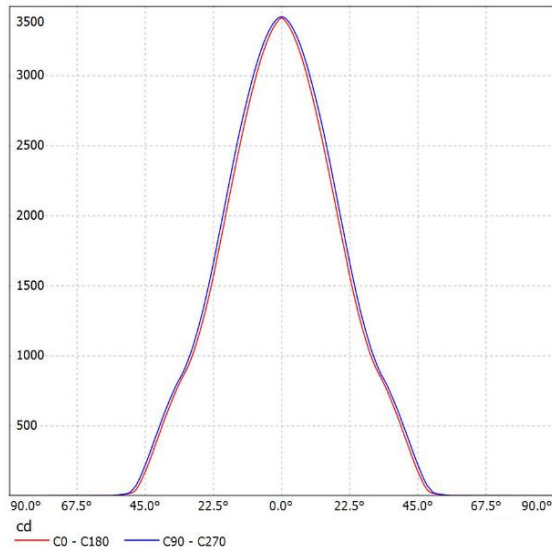
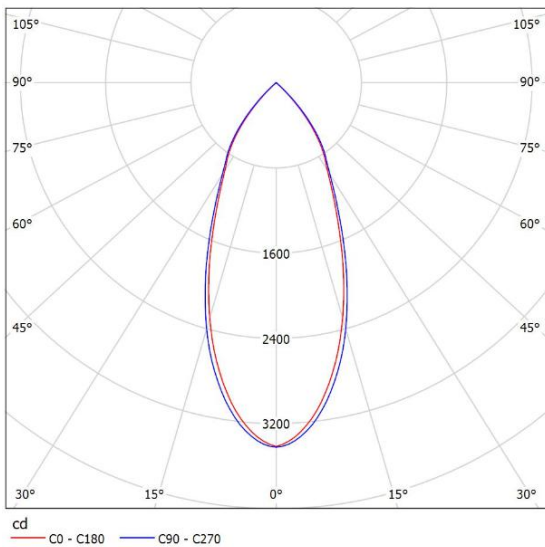
SL-050K-S  
K:2.81cd/lm,LED:V13 Gen7



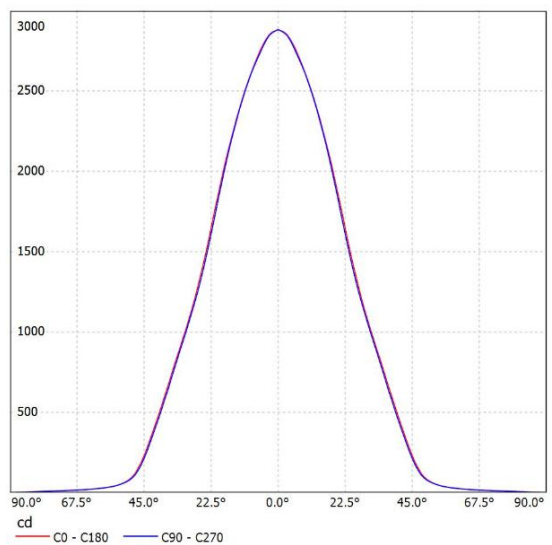
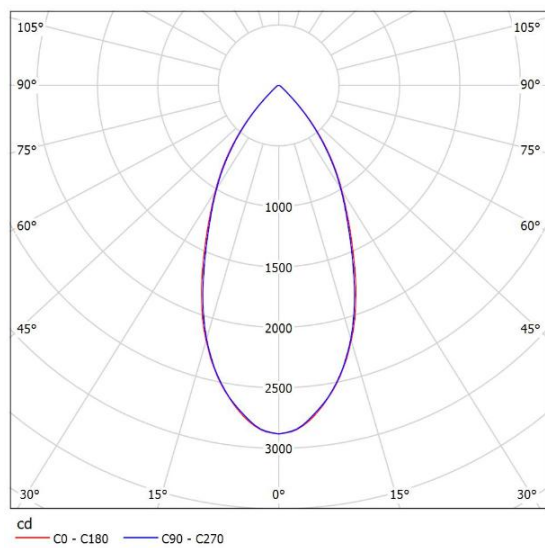
SL-050K-M  
K:2.25cd/lm,LED:V13 Gen7

# Distribution Curve Flux

SL-050K&SL-CHM-14-HD-B



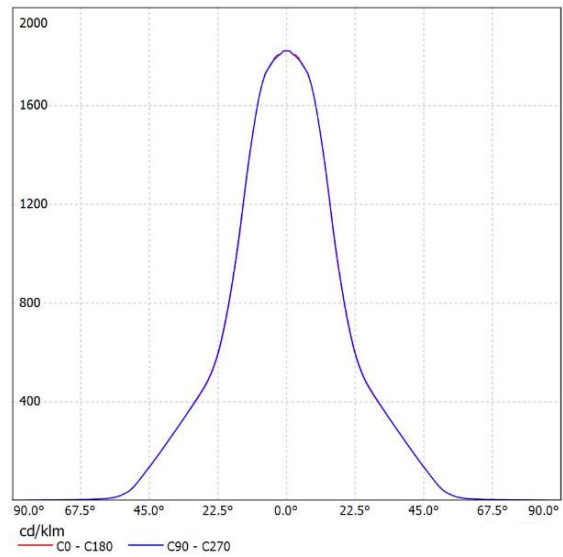
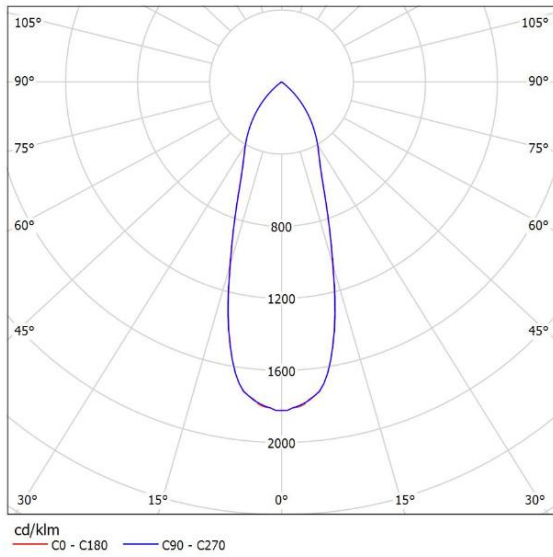
SL-050K-F  
K:1.46cd/lm,LED:V13 Gen7



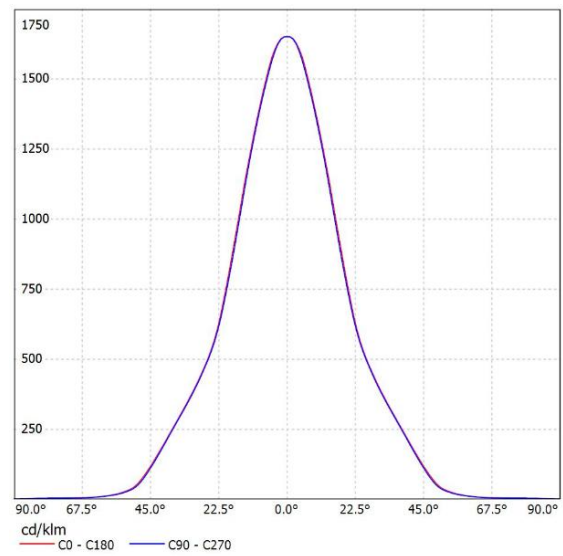
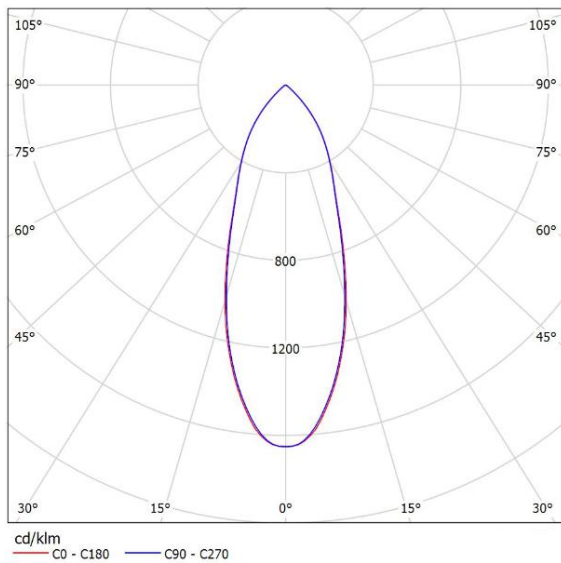
SL-050K-L  
K:1.28cd/lm,LED:V13 Gen7

# Distribution Curve Flux

SL-050K&SL-CXA-25-HD-B



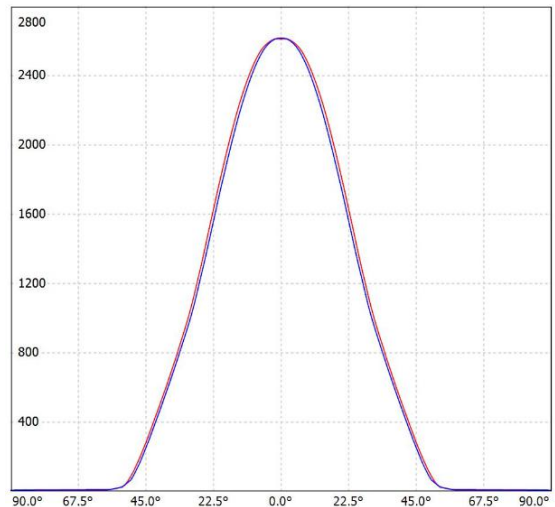
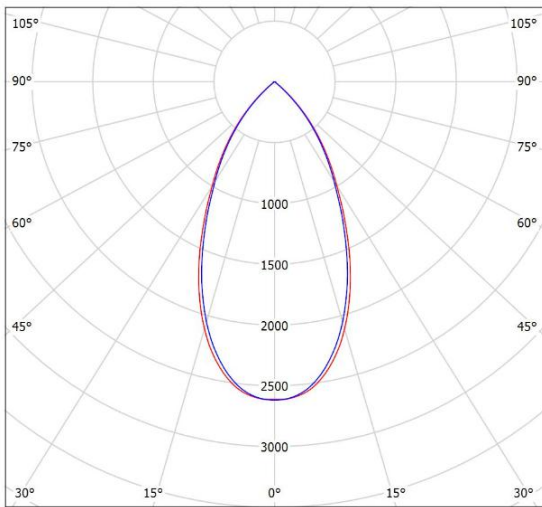
SL-050K-S  
 K:1.83cd/lm,LED:V18 Gen7



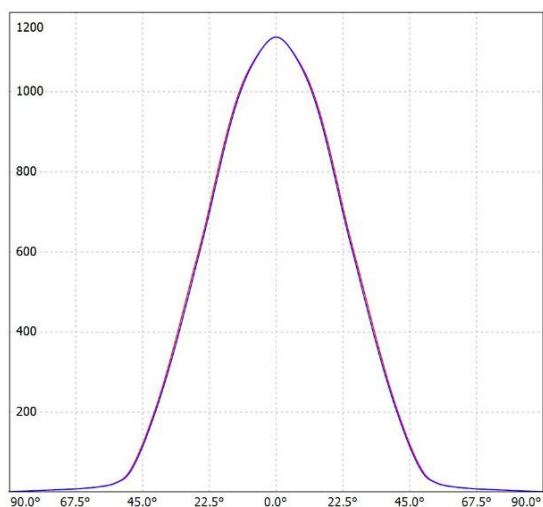
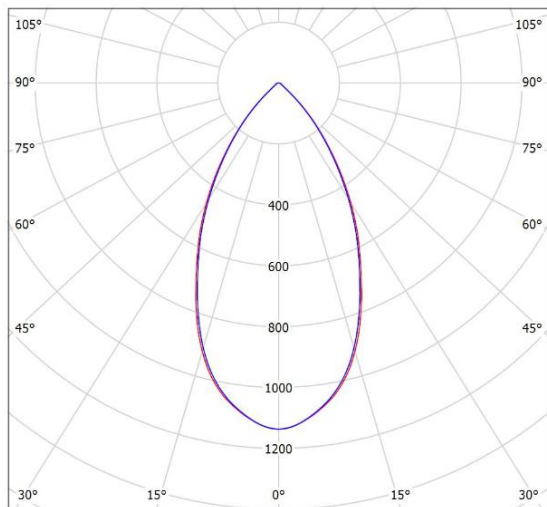
SL-050K-M  
 K:1.65cd/lm,LED:V18 Gen7

# Distribution Curve Flux

SL-050K&SL-CXA25-HD-B



SL-050K-F  
K:1.23cd/Im,LED:V18 Gen7



SL-050K-L  
K:1.13cd/Im,LED:V18 Gen7

## Package Description

SL-050K

Part NO.	Without pc cover		With pc cover		Box Size(cm)
	Number per Box (pcs)	Box Weigh(kg)	Number per Box (pcs)	Box Weigh(kg)	
SL-050K-S	800	6.30	800	8.88	60X 32 X 40
SL-050K-M	800	5.95	800	8.35	60 X 32 X 40
SL-050K-F	800	6.35	800	8.97	60 X 32 X 40
SL-050K-L	800	6.23	800	8.60	60 X 32 X 40

## Notes

- It is not allowed to scrub the reflective surface. If there is dust on the surface, please clean by soft cotton with little water.
  - It is forbidden to clean with industrial solvent such as ethanol.
  - Storage temperature: 0°C-40°C, and humidity:30%-95%.
  - Recommended operating temperature (PC) is <100°C.
  - Keep reflectors in package to void the dust.
  - Prohibit the reflector touch with acid or alkaline solvent
- 

## About Shinland

Shenzhen Shinland Co. Ltd,one of the longest and most professional company in lighting optical field,have 20 years experience.Different from other factory which only have simple process, all aspects included R&D,making mold,injection molding ,vacuum coating and market support are our company own vertically integrated production .

Insisting on 'Quality First, Service First' and pragmatic, enterprising spirit,building the market by quality, casting our brand by credibility and integrity ,Shinland now become the leading supplier of lighting optical solution in China.