



Optics
Shinland

Each Ray is brighter in Shinland

SL-075F

Details

Material:	URC2500
Cover Material:	PC
Process:	Vaccum Aluminum Plating PC
MAX Diameter:	75.0mm
Height:	39.0mm
Matched Holder:	SL-HD-A
Matched Cover:	SL-075-CLEAR-LENS/SL-075-MIXING-LENS
ROSH Compliant:	YES
Status:	Ready

Optical Properties

Code	Typ. FWHM	Typ. Eff
SL-07515F	15°	90%
SL-07530F	30°	90%
SL-07545F	45°	90%

Matched LED Source

CXM-14

CHM-14

CXA18

V13 Gen6

Vero13

1204/1205

LC040C

EDC-47C

EDC-57C-20

NVCxL024Z

NFCxL060B

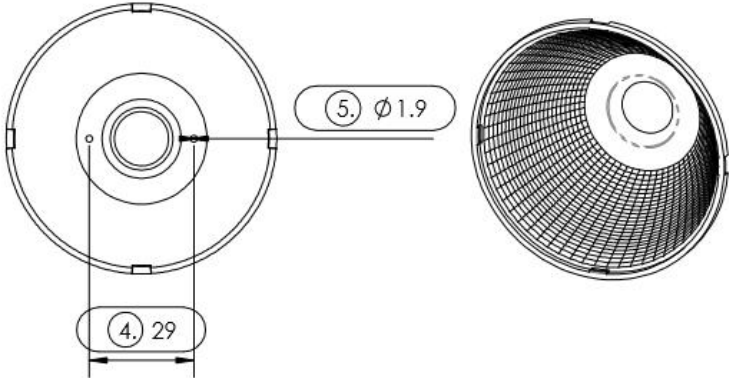
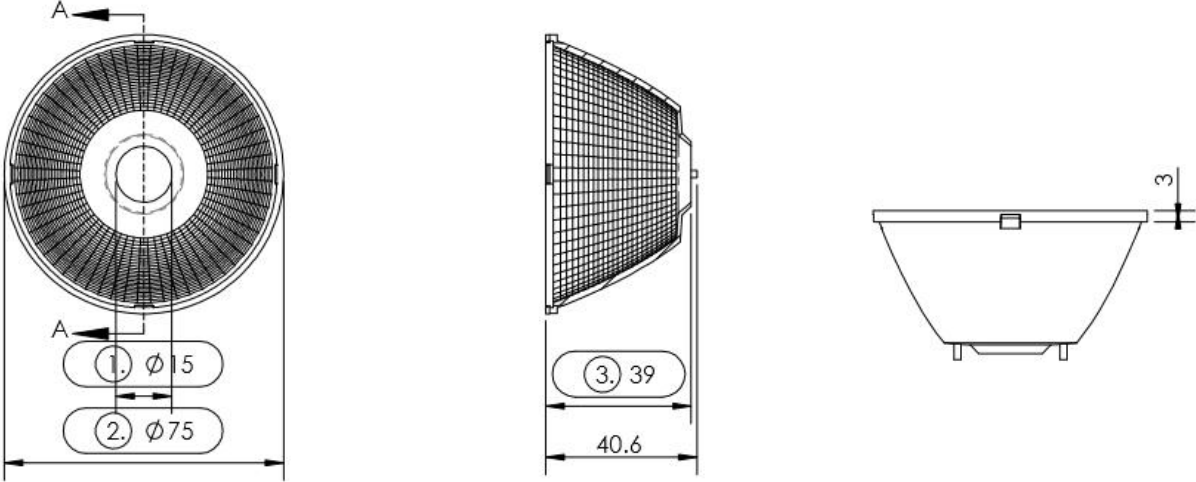
Photo



Dimensional Figure

SL-075F

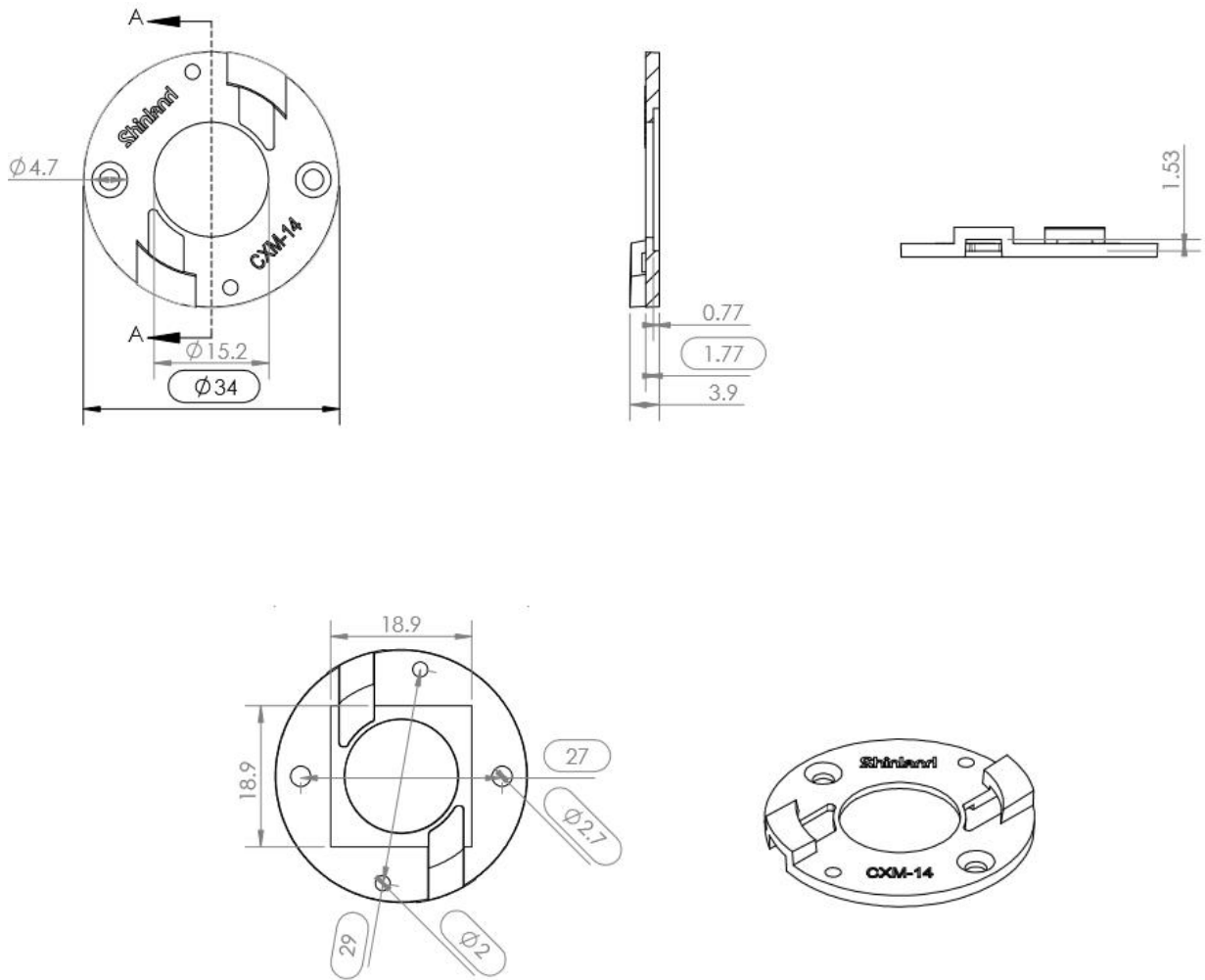
Measure Unit: mm



Dimensional Figure

SL-CXM-14-HD-A

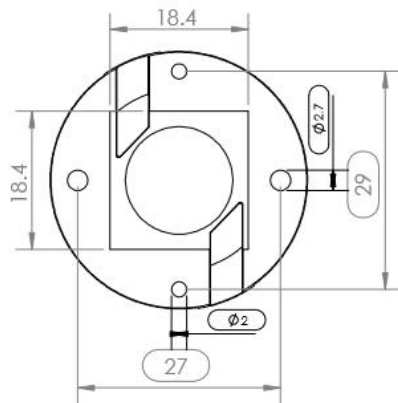
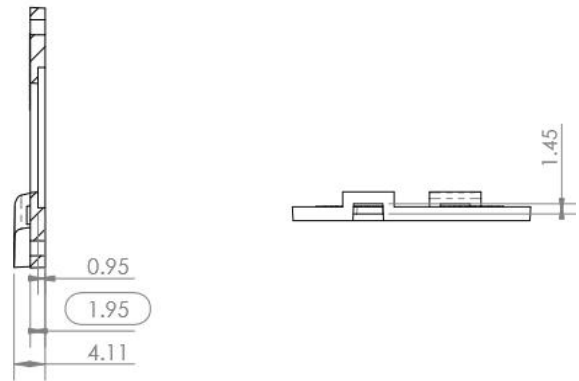
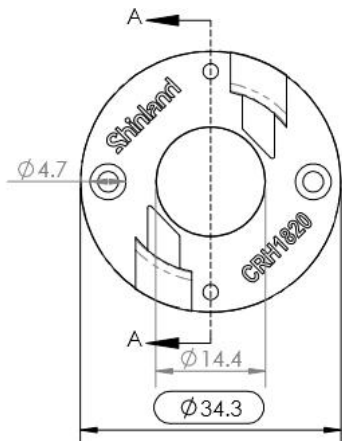
Measure Unit: mm



Dimensional Figure

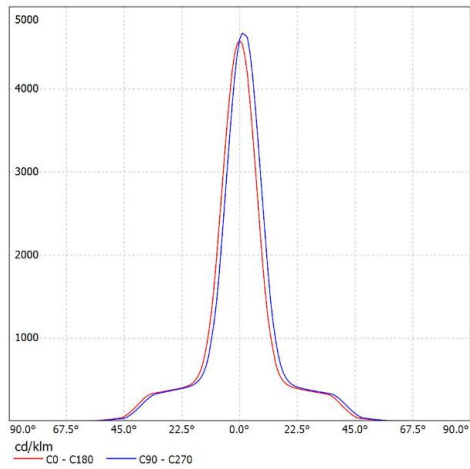
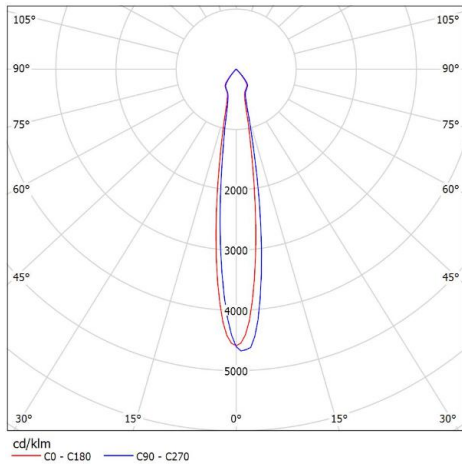
SL-CXA1820-HD-A

Measure Unit: mm

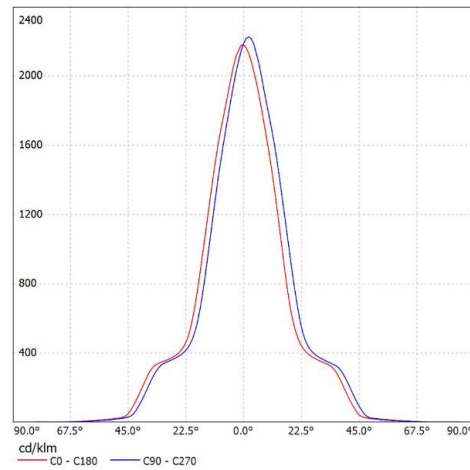
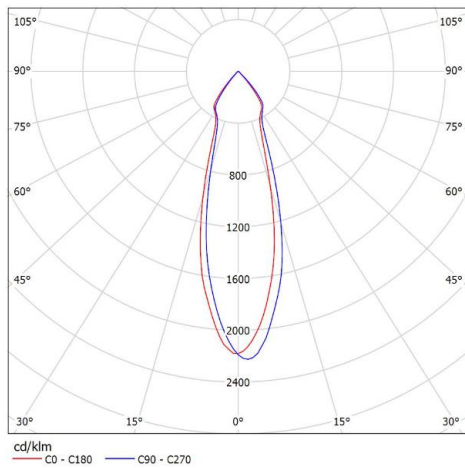


Distribution Curve Flux

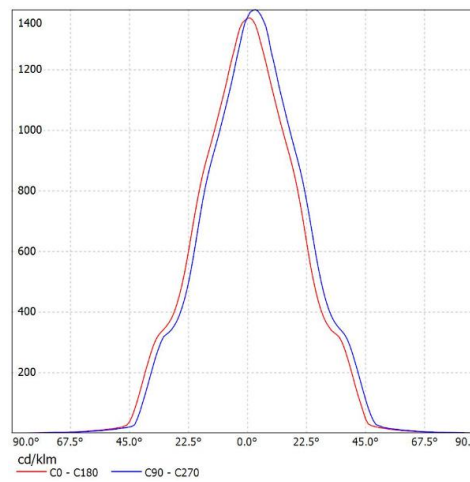
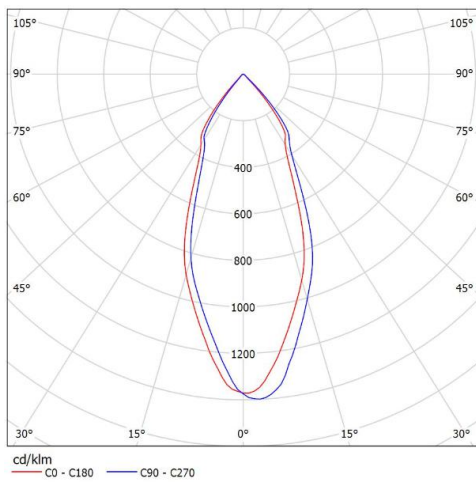
SL-075F&SL-CXM-14-HD-A



SL-07515F
K:5.19cd/lm,LED:CXM-14



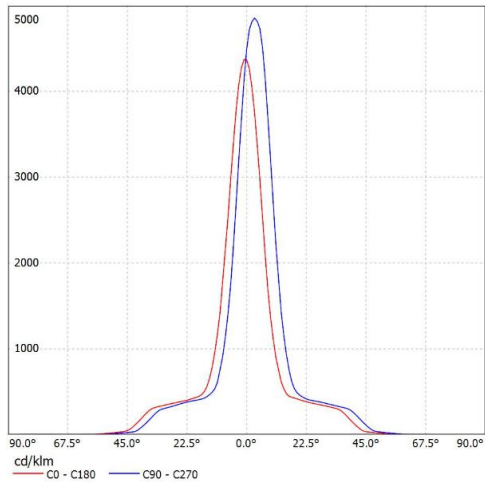
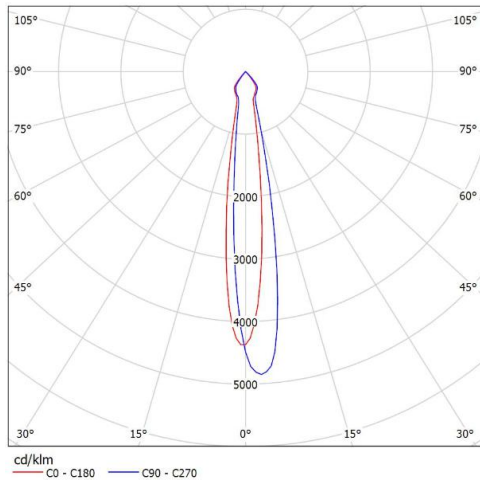
SL-07530F
K:2.44cd/lm,LED:CXM-14



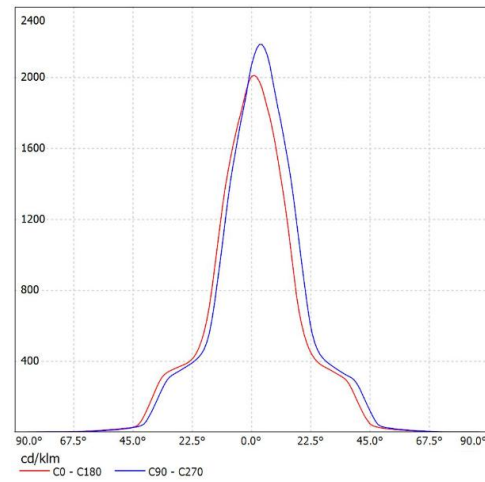
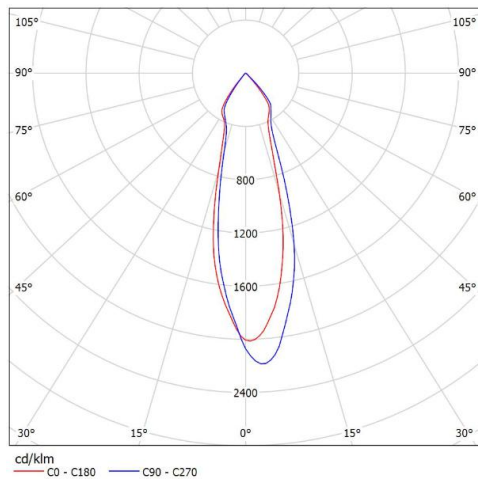
SL-07545F
K:1.60cd/lm,LED:CXM-14

Distribution Curve Flux

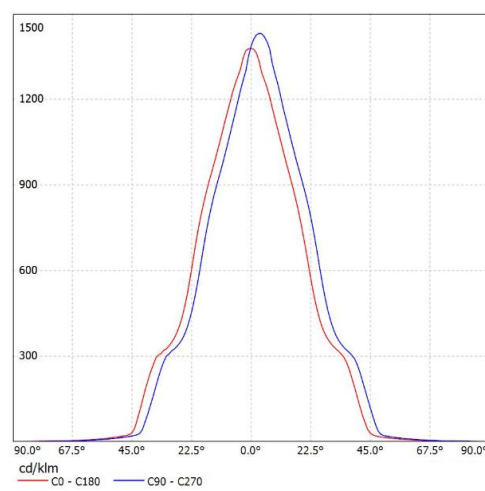
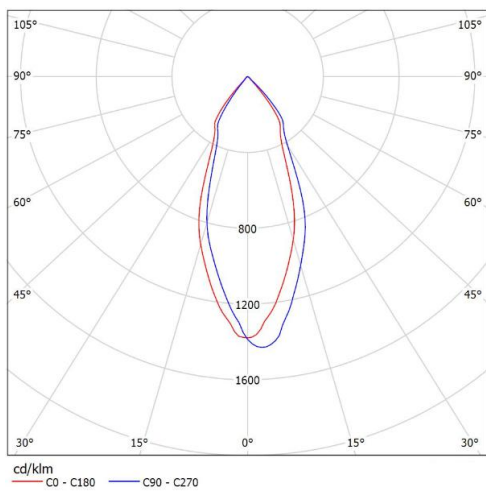
SL-075F&SL-CXA1820-HD-A



SL-07515F
K:5.71cd/lm,LED:CXA1820



SL-07530F
K:2.53cd/lm,LED:CXA1820



SL-07545F
K:1.69cd/lm,LED:CXA1820

Package Description

SL-075F

Part NO.	Without pc cover		With pc cover		Box Size(cm)
	Number per Box (pcs)	Box Weigh(kg)	Number per Box (pcs)	Box Weigh(kg)	
SL-07515F	288	8.50	384	8.55	70 X 37 X38
SL-07530F	288	8.43	384	8.45	70 X 37 X38
SL-07545F	288	8.38	384	8.68	70 X 37 X38

Notes

- It is not allowed to scrub the reflective surface. If there is dust on the surface, please clean by soft cotton with little water.
 - It is forbidden to clean with industrial solvent such as ethanol.
 - Storage temperature: 0°C-40°C, and humidity:30%-95%.
 - Recommended operating temperature (PC) is <100°C.
 - Keep reflectors in package to void the dust.
 - Prohibit the reflector touch with acid or alkaline solvent
-

About Shinland

Shenzhen Shinland Co. Ltd,one of the longest and most professional company in lighting optical field,have 20 years experience.Different from other factory which only have simple process, all aspects included R&D,making mold,injection molding ,vacuum coating and market support are our company own vertically integrated production .

Insisting on 'Quality First, Service First' and pragmatic, enterprising spirit,building the market by quality, casting our brand by credibility and integrity ,Shinland now become the leading supplier of lighting optical solution in China.