



Optics
Shinland

Each Ray is brighter in Shinland

SL-075A

Details

Material:	URC2500
Cover Material:	PC
Process:	Vaccum Aluminum Plating PC
MAX Diameter:	75.0mm
Height:	54.0mm
Matched Holder:	SL-HD-A
Matched Cover:	SL-075-CLEAR-LENS/SL-075-MIXING-LENS
ROSH Compliant:	YES
Status:	Ready

Matched LED Source

CLU038

E13

NVExJ048Z

NFCxJ108B

NFDxJ130B

Optical Properties

Code	Typ. FWHM	Typ. Eff
SL-07515A	15°	91%
SL-07524A	24°	91%
SL-07538A	38°	91%
SL-07555A	55	91%

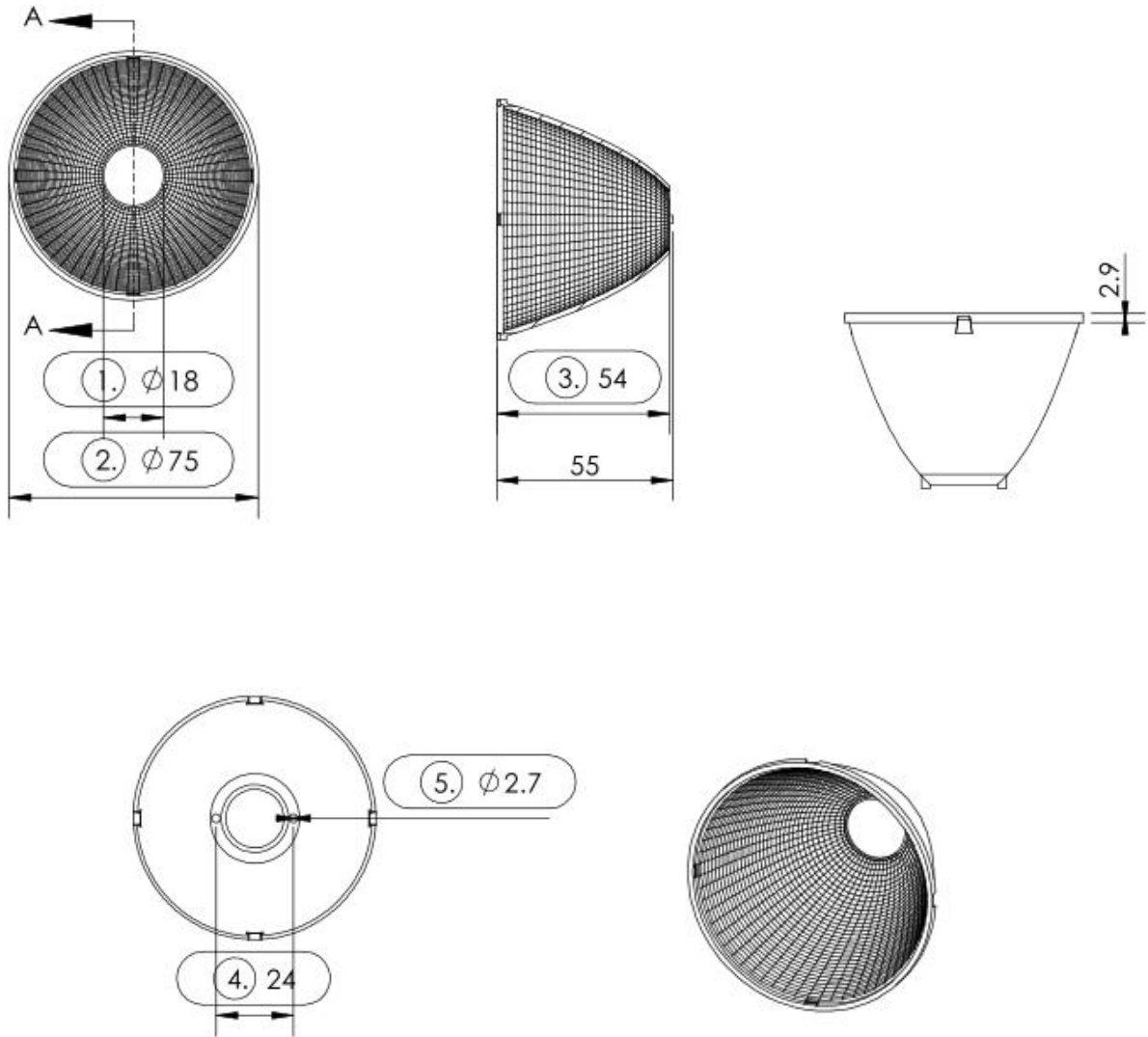
Photo



Dimensional Figure

SL-075A

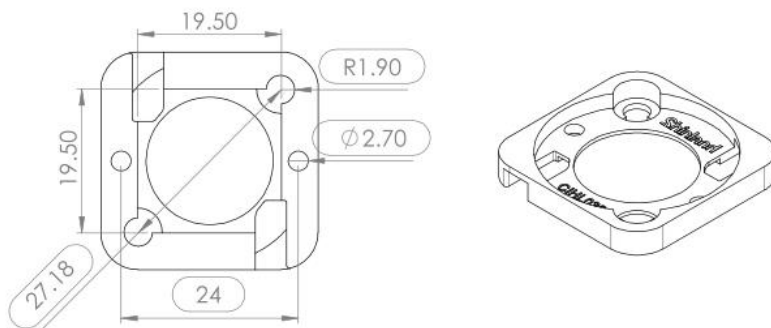
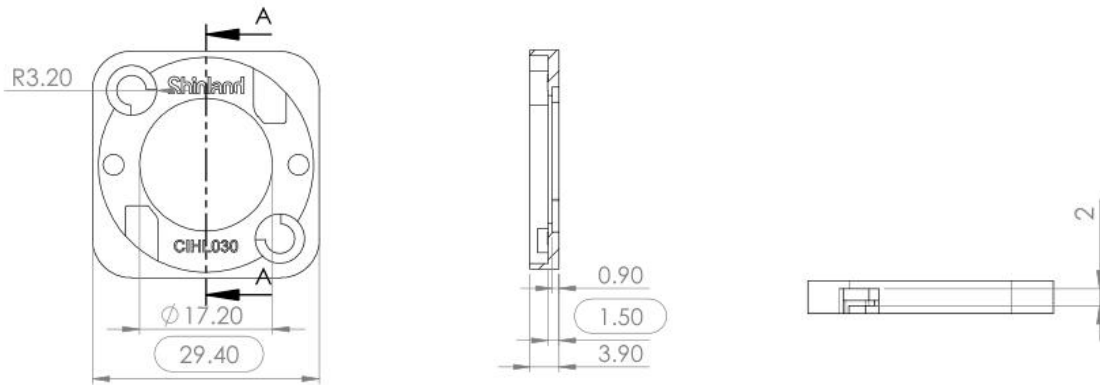
Measure Unit: mm



Dimensional Figure

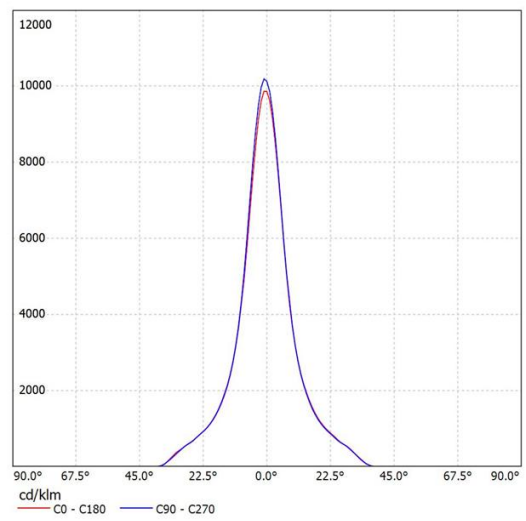
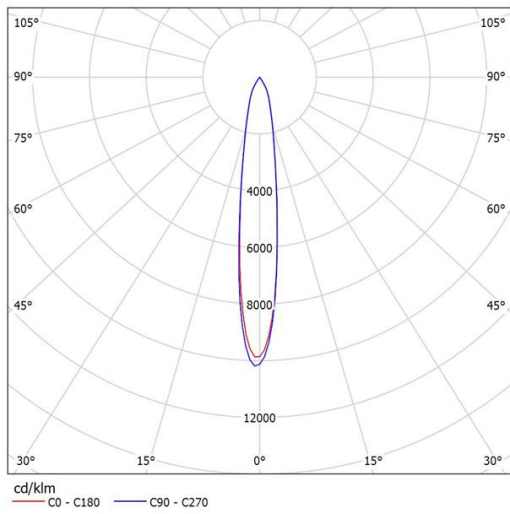
SL-CLL030-HD-A

Measure Unit: mm

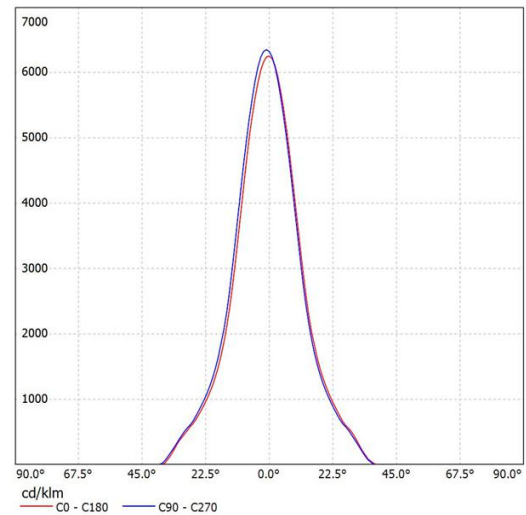
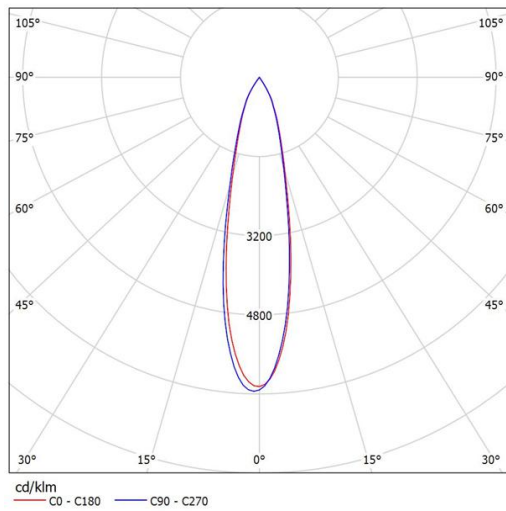


Distribution Curve Flux

SL-075A&SL-CLL030-HD-A



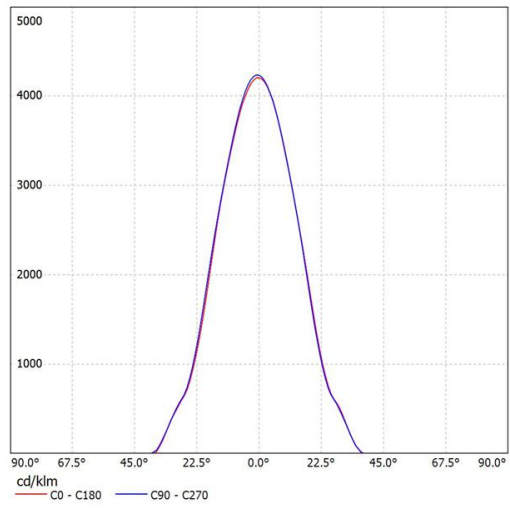
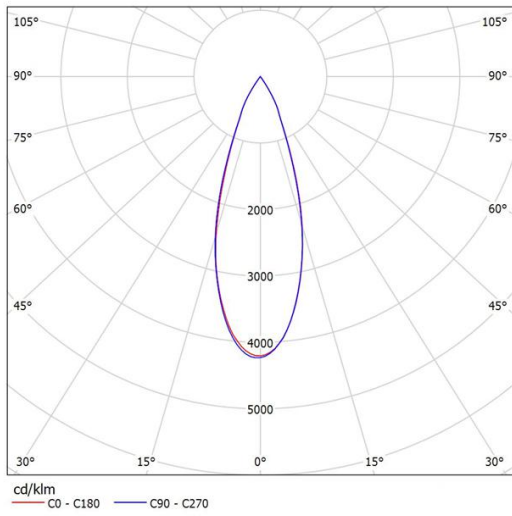
SL-07515A
K:6.76cd/lm,LED:CLL03X



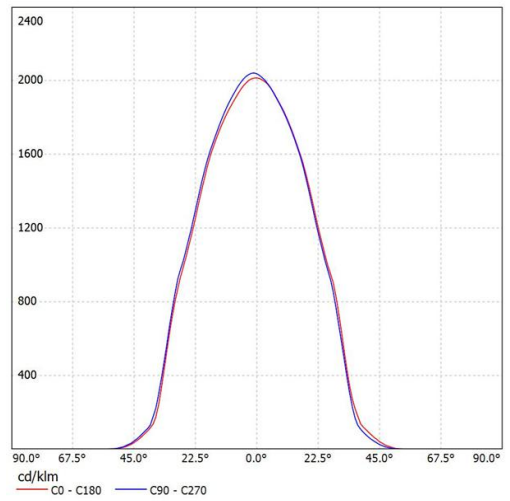
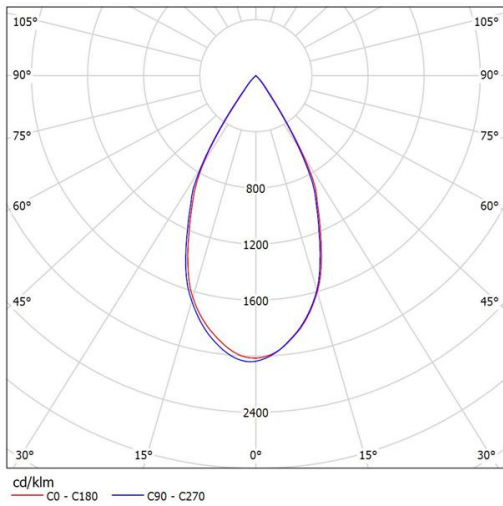
SL-07524A
K:4.18cd/lm,LED:CLL03X

Distribution Curve Flux

SL-075A&SL-CLL030-HD-A



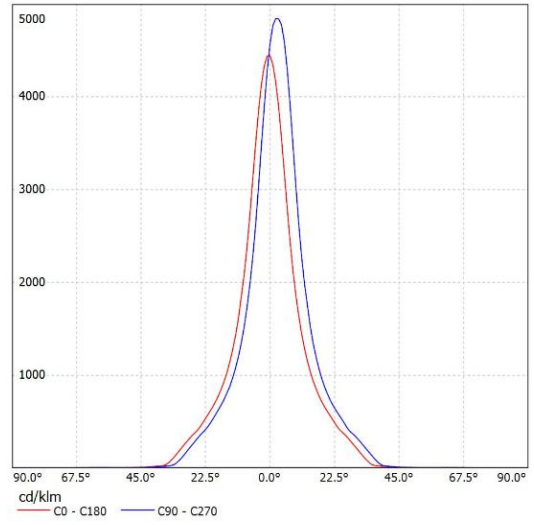
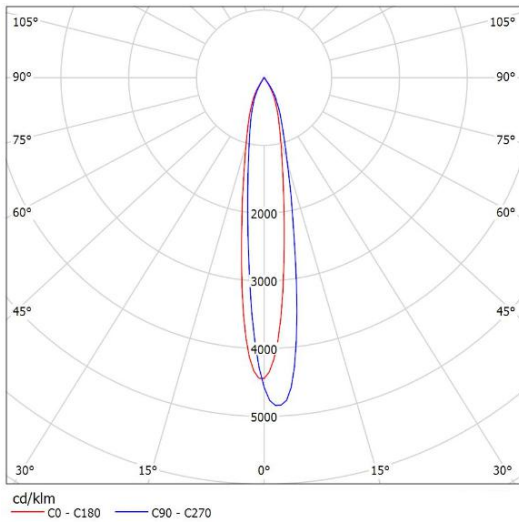
SL-07538A
K:2.79cd/lm,LED:CLL03X



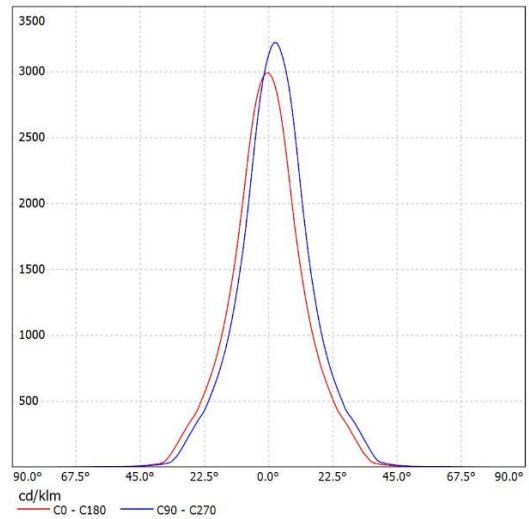
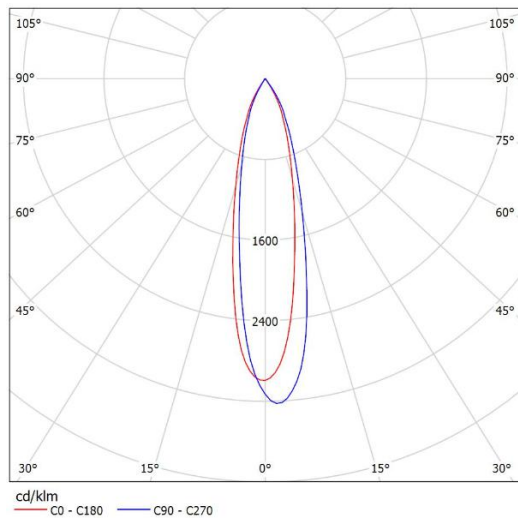
SL-07555A
K:1.48cd/lm,LED:CLL03X

Distribution Curve Flux

SL-075A&SL-CLL030-HD-A



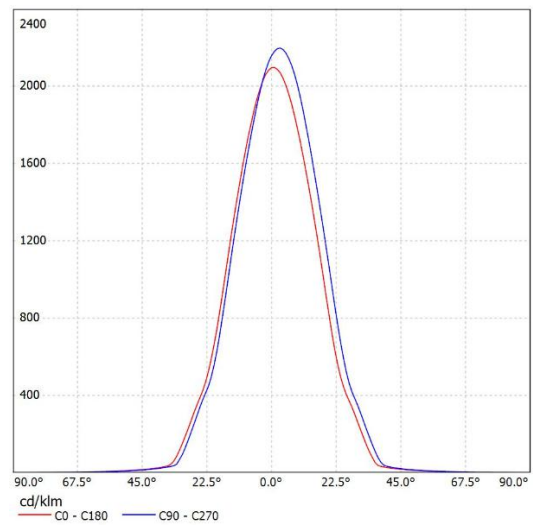
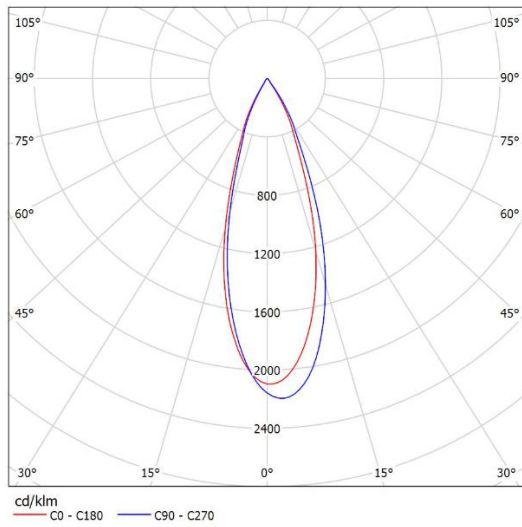
SL-07515A
K:5.82cd/lm,LED:E13



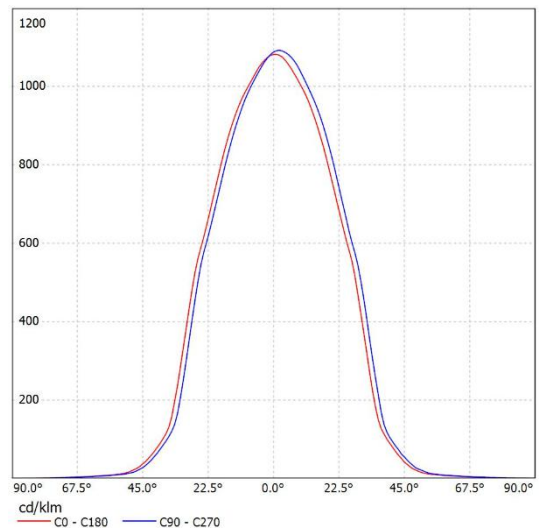
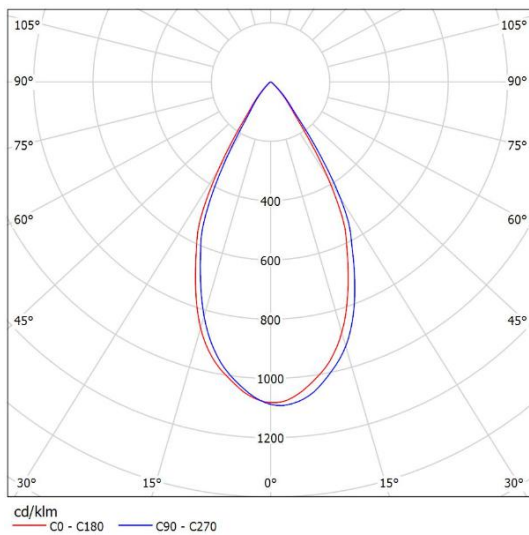
SL-07524A
K:3.91cd/lm,LED:E13

Distribution Curve Flux

SL-075A&SL-CLL030-HD-A



SL-07538A
K:2.72cd/lm,LED:E13



SL-07555A
K:1.38cd/lm,LED:E13

Package Description

SL-075A

Part NO.	Without pc cover		With pc cover		Box Size(cm)
	Number per Box (pcs)	Box Weigh(kg)	Number per Box (pcs)	Box Weigh(kg)	
SL-07515A	252	6.10	224	7.48	60 X 37 X45
SL-07524A	252	6.90	224	7.68	60 X 37 X45
SL-07538A	252	6.85	224	7.73	60 X 37 X45
SL-07555A	252	7.60	224	8.45	60 X 37 X45

Notes

- It is not allowed to scrub the reflective surface. If there is dust on the surface, please clean by soft cotton with little water.
 - It is forbidden to clean with industrial solvent such as ethanol.
 - Storage temperature: 0°C-40°C, and humidity:30%-95%.
 - Recommended operating temperature (PC) is <100°C.
 - Keep reflectors in package to void the dust.
 - Prohibit the reflector touch with acid or alkaline solvent
-

About Shinland

Shenzhen Shinland Co. Ltd,one of the longest and most professional company in lighting optical field,have 20 years experience.Different from other factory which only have simple process, all aspects included R&D,making mold,injection molding ,vacuum coating and market support are our company own vertically integrated production .

Insisting on 'Quality First, Service First' and pragmatic, enterprising spirit,building the market by quality, casting our brand by credibility and integrity ,Shinland now become the leading supplier of lighting optical solution in China.