



Optics  
**Shinland**

Each Ray is brighter in Shinland

# SL-050C

## Details

---

|                 |  |
|-----------------|--|
| Material:       | URC2500                                |
| Cover Material: | PC                                     |
| Process:        | Vaccum Aluminum Plating PC             |
| MAX Diameter:   | 50.0mm                                 |
| Height:         | 35.1mm                                 |
| Matched Holder: | SL-HD-A                                |
| Matched Cover:  | SL-050-CLEAR-LENS/SL-050-MIXING-LENS-A |
| ROSH Compliant: | YES                                    |
| Status:         | Ready                                  |

## Optical Properties

---

| Code      | Typ. Angle | Typ. efficiency |
|-----------|------------|-----------------|
| SL-05020C | 20°        | 90%             |
| SL-05030C | 30°        | 90%             |

---

## Photo



## Matched LED Source

CLU721

CXM-14

CHM-14

CXA18

Vero13

V13 Gen6

1204/1205

LC020C

LC040C

EDC-47C

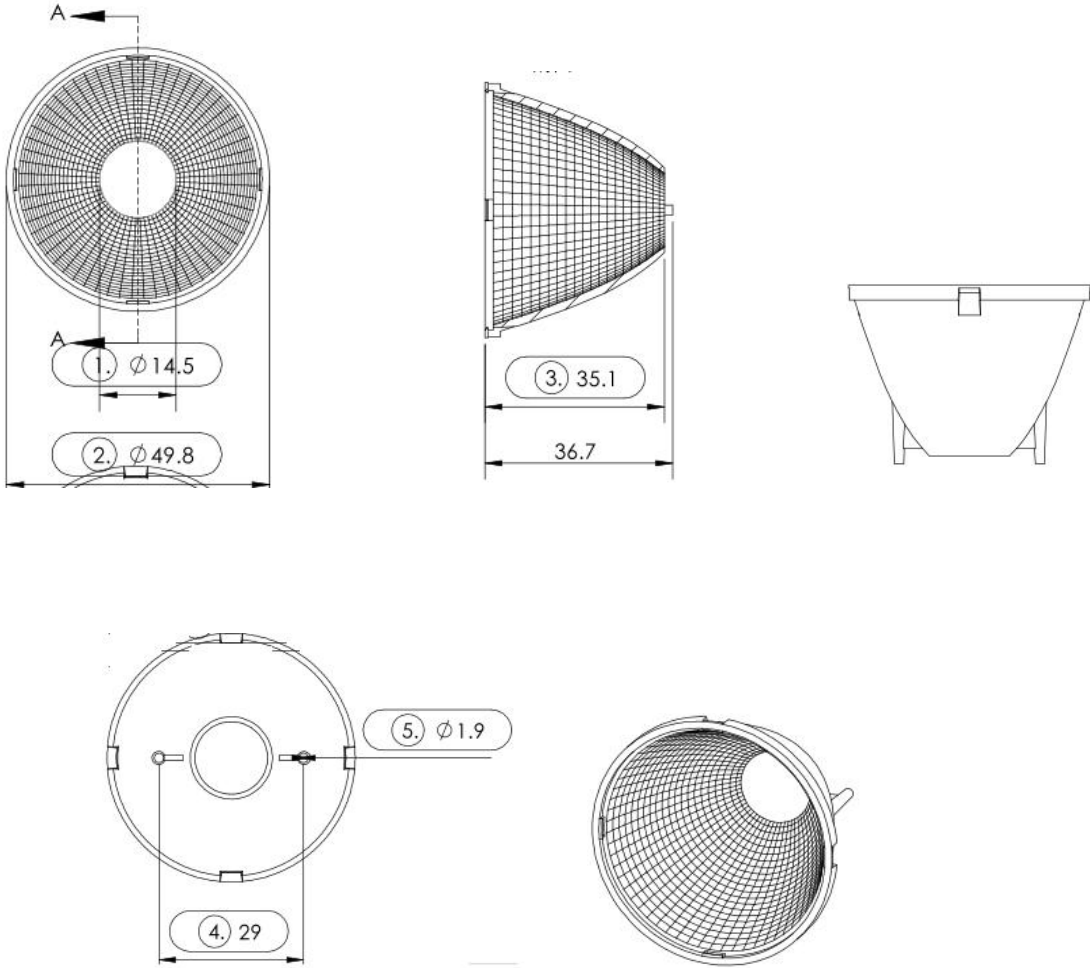
EDC-57C-20

NVCxL024Z

NFCxL060B

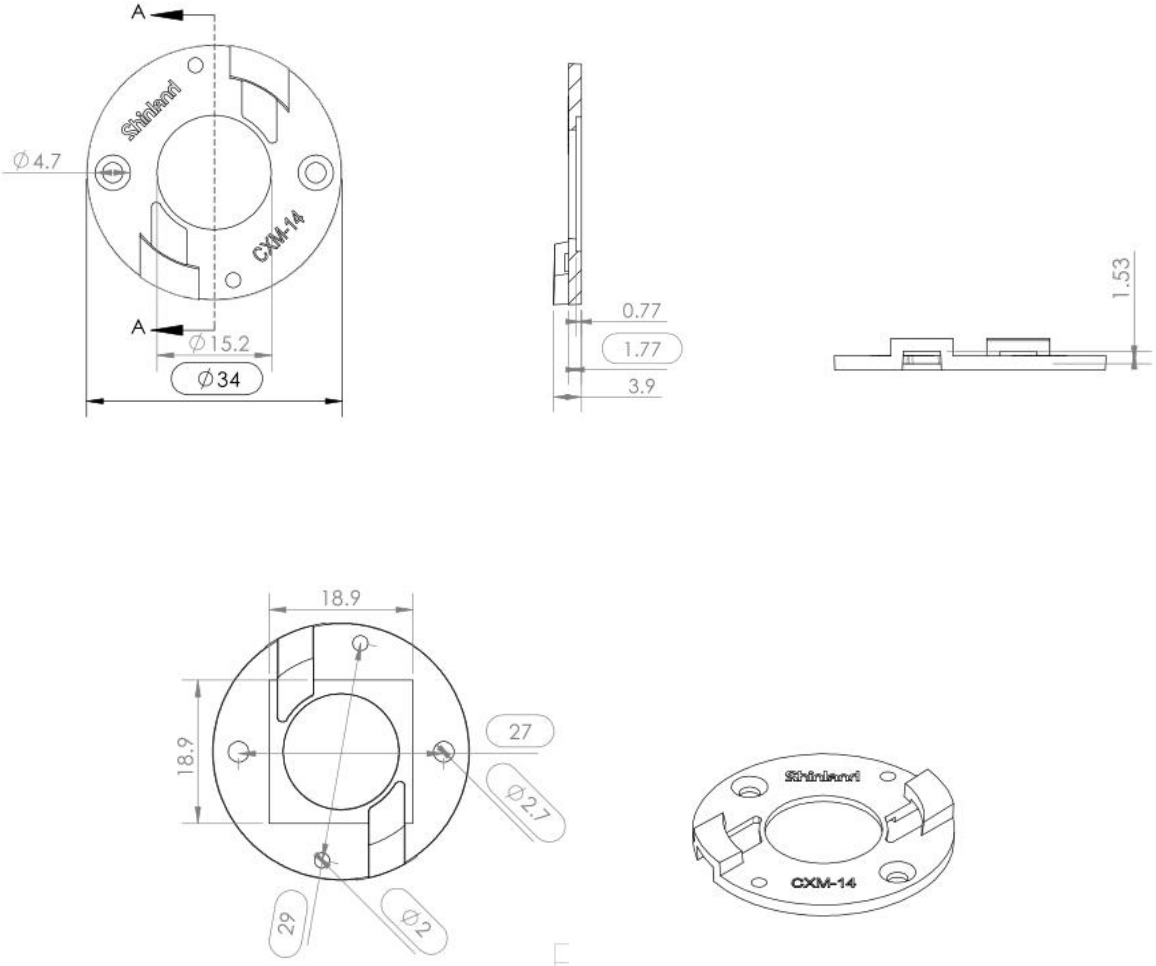
# Dimensional Figure SL-050C

Measure Unit: mm



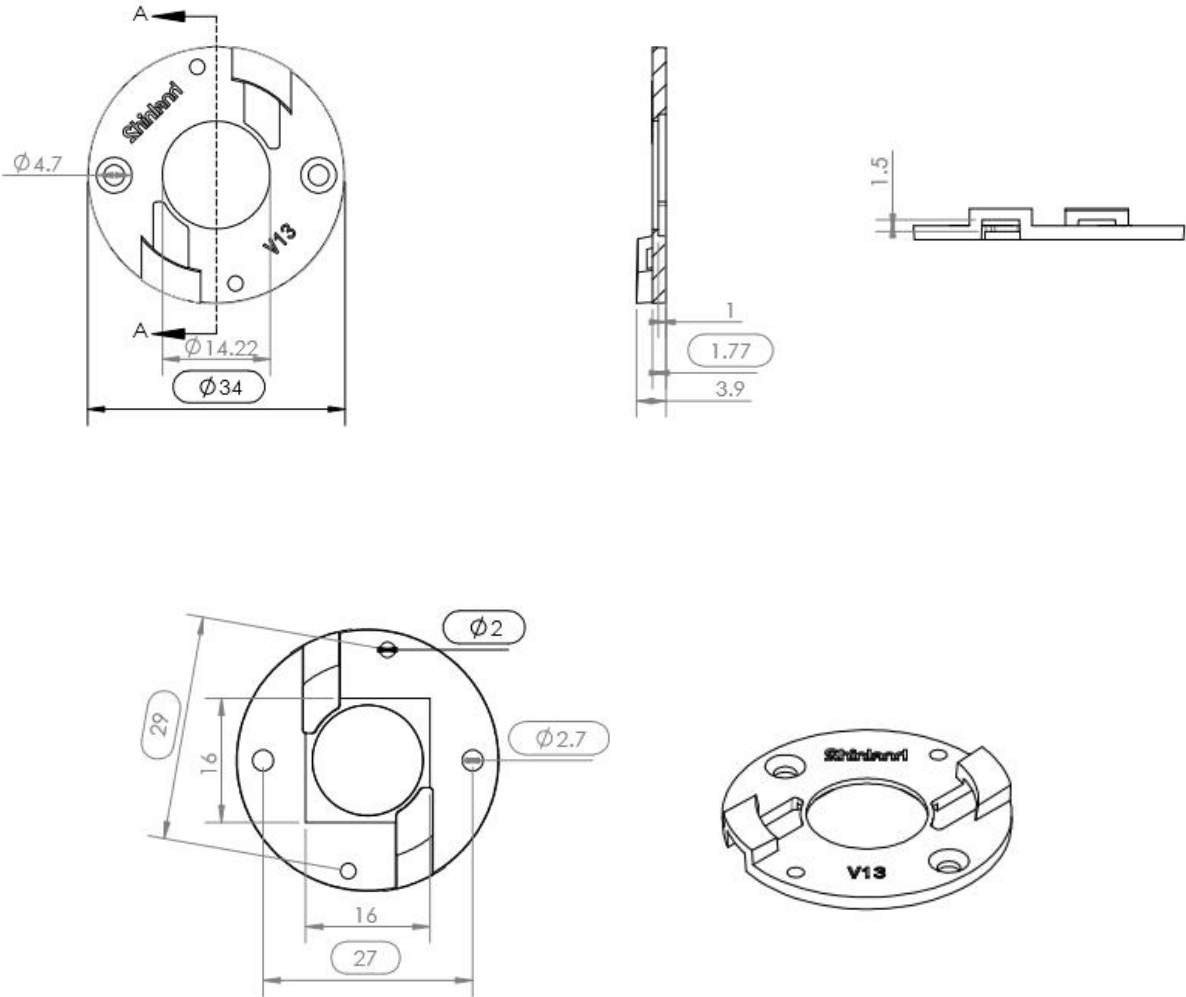
# Dimensional Figure SL-CXM-14-HD-A

Measure Unit: mm



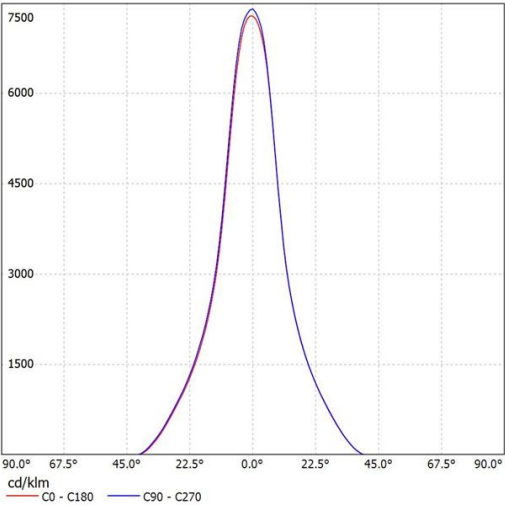
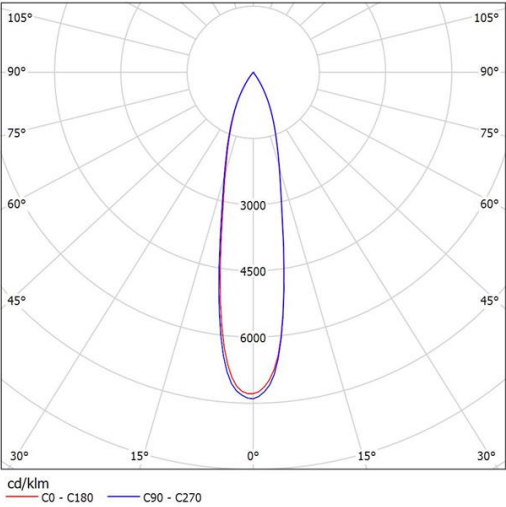
# Dimensional Figure SL-V13-HD-A

Measure Unit: mm

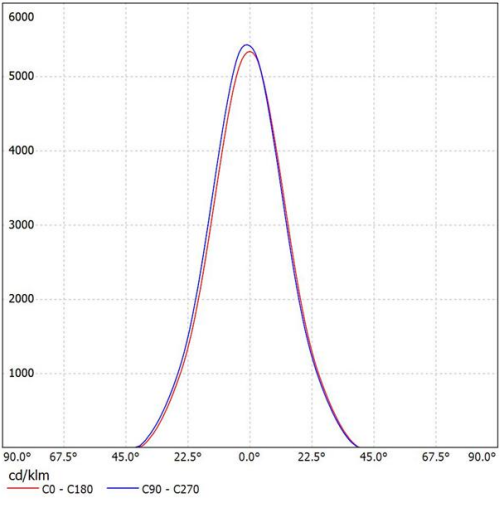
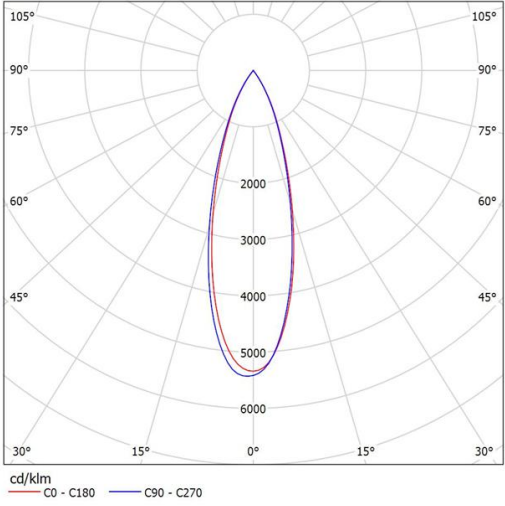


# Distribution Curve Flux

## SL-050C&SL-CXM-14-HD-A



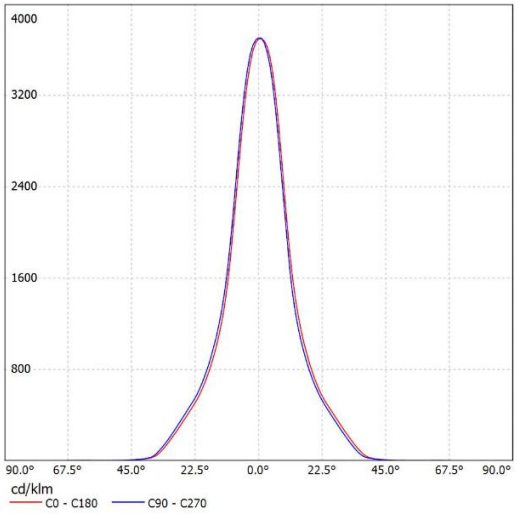
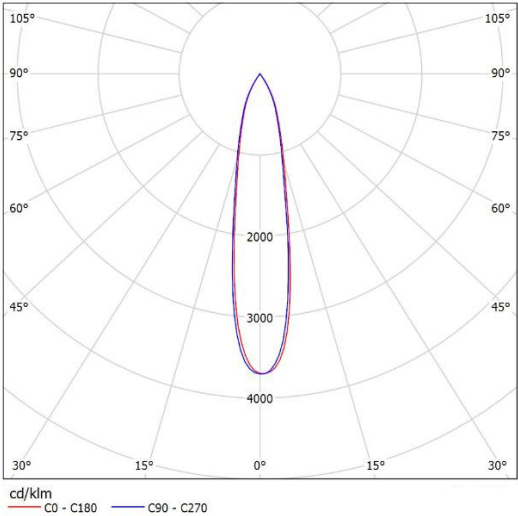
SL-05020C  
K:4.06cd/lm,LED:CXM-14



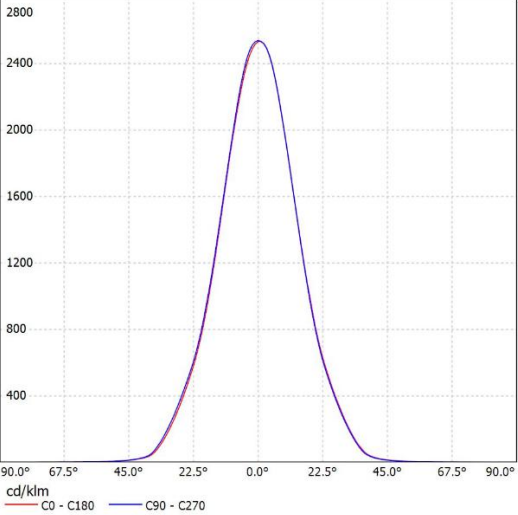
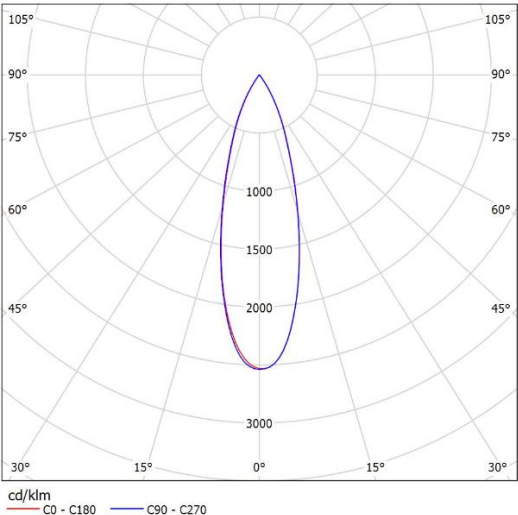
SL-05030C  
K:2.99cd/lm,LED:CXM-14

# Distribution Curve Flux

## SL-050C&SL-V13-HD-A



SL-05020C  
 K:4.37cd/lm,LED:V13 Gen6



SL-05030C  
 K:2.95cd/lm,LED:V13 Gen6

## Package Description

SL-050C

| Part NO.  | Without pc cover     |               | With pc cover        |               | Box Size(cm) |
|-----------|----------------------|---------------|----------------------|---------------|--------------|
|           | Number per Box (pcs) | Box Weigh(kg) | Number per Box (pcs) | Box Weigh(kg) |              |
| SL-05020C | 500                  | 6.13          | 500                  | 7.23          | 60X 32 X 40  |
| SL-05030C | 500                  | 6.25          | 500                  | 7.65          | 60 X 32 X 40 |



## Notes

- It is not allowed to scrub the reflective surface. If there is dust on the surface, please clean by soft cotton with little water.
  - It is forbidden to clean with industrial solvent such as ethanol.
  - Storage temperature: 0°C-40°C, and humidity:30%-95%.
  - Recommended operating temperature (PC) is <100°C.
  - Keep reflectors in package to void the dust.
  - Prohibit the reflector touch with acid or alkaline solvent
- 

## About Shinland

Shenzhen Shinland Co. Ltd,one of the longest and most professional company in lighting optical field,have 20 years experience.Different from other factory which only have simple process, all aspects included R&D,making mold,injection molding ,vacuum coating and market support are our company own vertically integrated production .

Insisting on 'Quality First, Service First' and pragmatic, enterprising spirit,building the market by quality, casting our brand by credibility and integrity ,Shinland now become the leading supplier of lighting optical solution in China.