



Optics
Shinland

Each Ray is brighter in Shinland

SL-050B

Details

Material:	URC2500
Cover Material:	PC
Process:	Vaccum Aluminum Plating PC
MAX Diameter:	50.0mm
Height:	35.1mm
Matched Holder:	SL-HD-A
Matched Cover:	WITHOUT
ROSH Compliant:	YES
Status:	Ready

Matched LED Source

Vero 10

Optical Properties

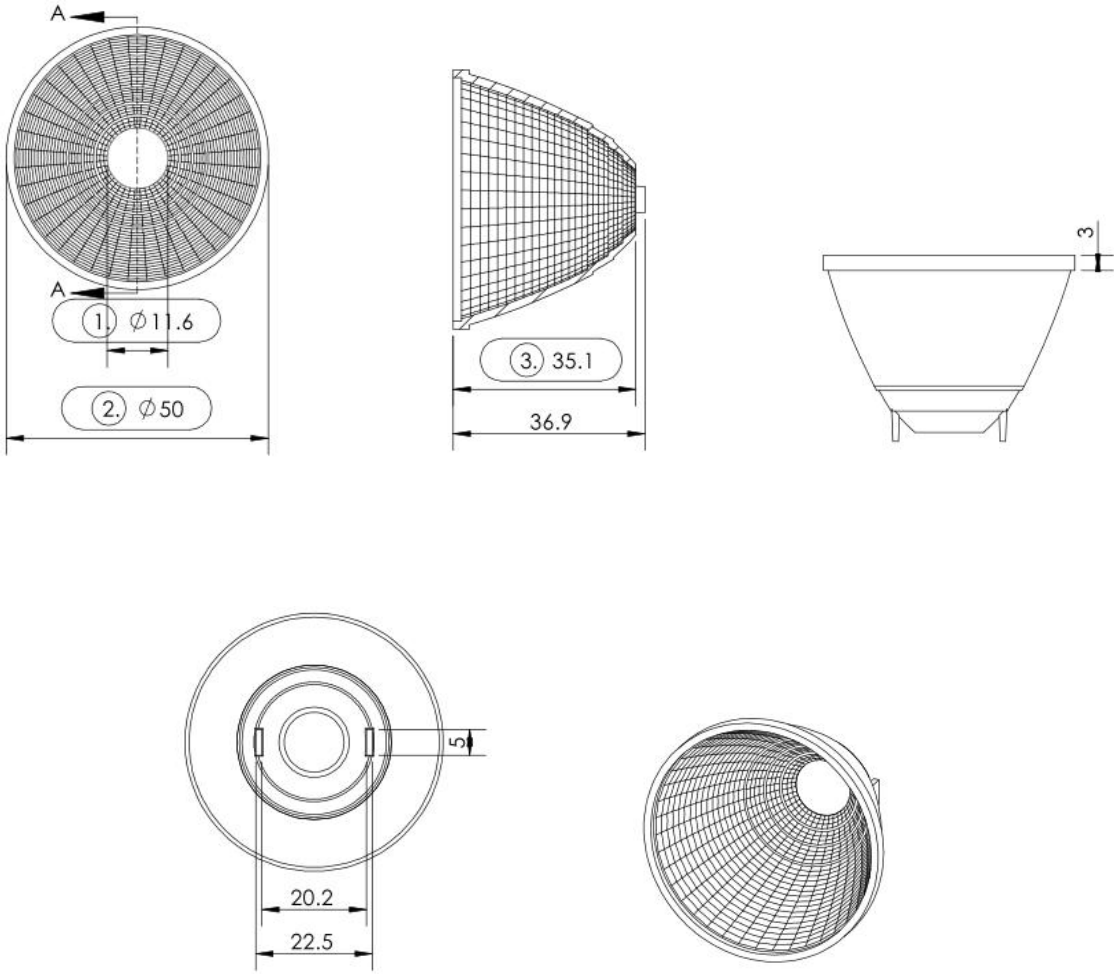
Code	Typ. Angle	Typ. efficiency
SL-05015B	15°	90%
SL-05024B	24°	90%
SL-05038B	38°	90%
SL-05060B	60°	90%

Photo



Dimensional Figure SL-050B

Measure Unit: mm



Package Description

SL-050B

Part NO.	Without pc cover		With pc cover		Box Size(cm)
	Number per Box (pcs)	Box Weigh(kg)	Number per Box (pcs)	Box Weigh(kg)	
SL-05015B	600	6.03	/	/	60X 32 X 40
SL-05024B	600	6.00	/	/	60 X 32 X 40
SL-05038B	600	6.70	/	/	60 X 32 X 40
SL-05060B	600	9.20	/	/	60 X 32 X 40

Notes

- It is not allowed to scrub the reflective surface. If there is dust on the surface, please clean by soft cotton with little water.
 - It is forbidden to clean with industrial solvent such as ethanol.
 - Storage temperature: 0°C-40°C, and humidity:30%-95%.
 - Recommended operating temperature (PC) is <100°C.
 - Keep reflectors in package to void the dust.
 - Prohibit the reflector touch with acid or alkaline solvent
-

About Shinland

Shenzhen Shinland Co. Ltd,one of the longest and most professional company in lighting optical field,have 20 years experience.Different from other factory which only have simple process, all aspects included R&D,making mold,injection molding ,vacuum coating and market support are our company own vertically integrated production .

Insisting on 'Quality First, Service First' and pragmatic, enterprising spirit,building the market by quality, casting our brand by credibility and integrity ,Shinland now become the leading supplier of lighting optical solution in China.