



Optics
Shinland

Each Ray is brighter in Shinland

SL-045A

Details

Material:	URC2500
Cover Material:	PC
Process:	Vaccum Aluminum Plating PC
MAX Diameter:	45.0mm
Height:	34.1mm
Matched Holder:	SL-HD-A
Matched Cover:	SL-045-CLEAR-LENS/SL-045-MIXING-LENS
ROSH Compliant:	YES
Status:	Ready

Optical Properties

Code	Typ. FWHM	Typ. Eff
SL-04515A	15°	90%
SL-04524A	24°	90%
SL-04536A	38°	90%

Photo



Matched LED Source

CLU028

CXM-9

CHM-9

CXA15

V10 Gen6

V10 Gen7

blx C8

E8

Solერიq S9

105

1202/1203

G4-10

LC020C

LC006B

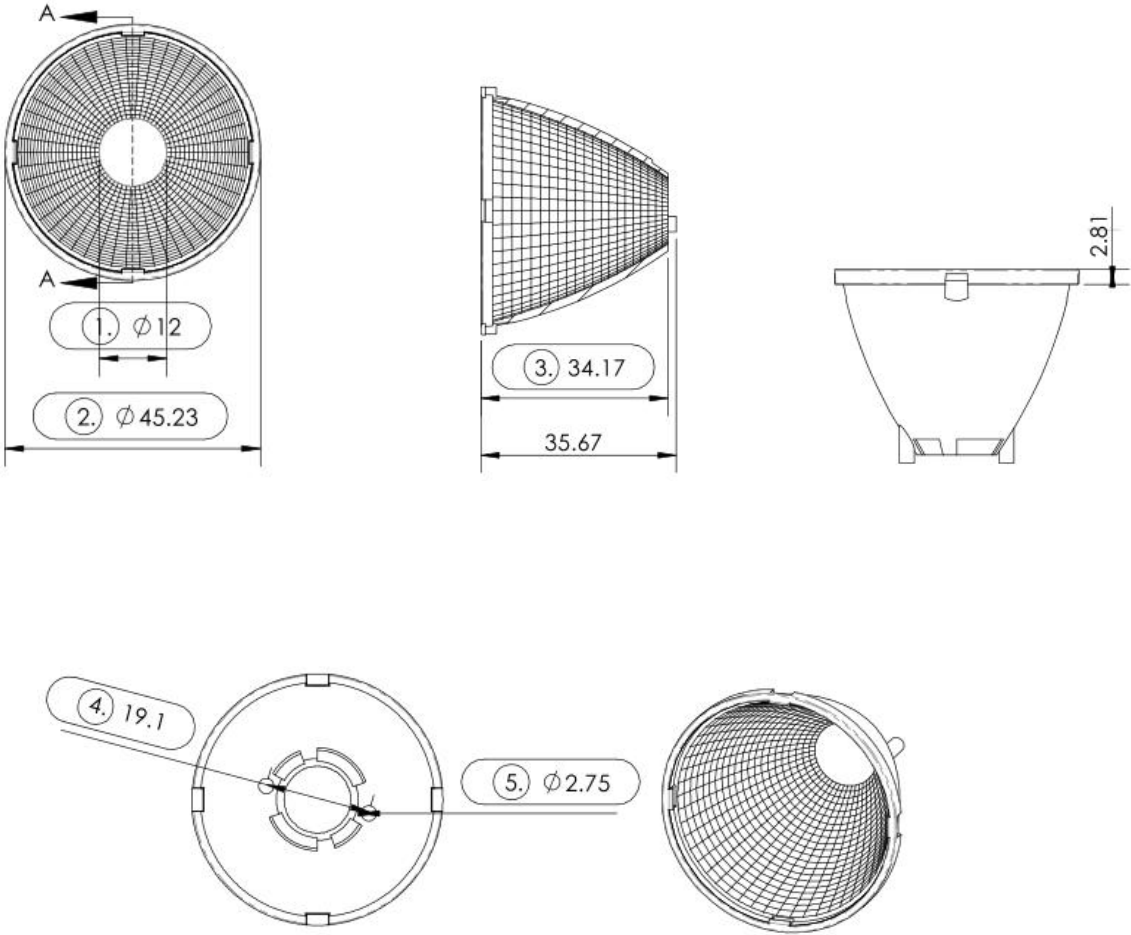
EDC-38C

NFCxL036B

Dimensional Figure

SL-045A

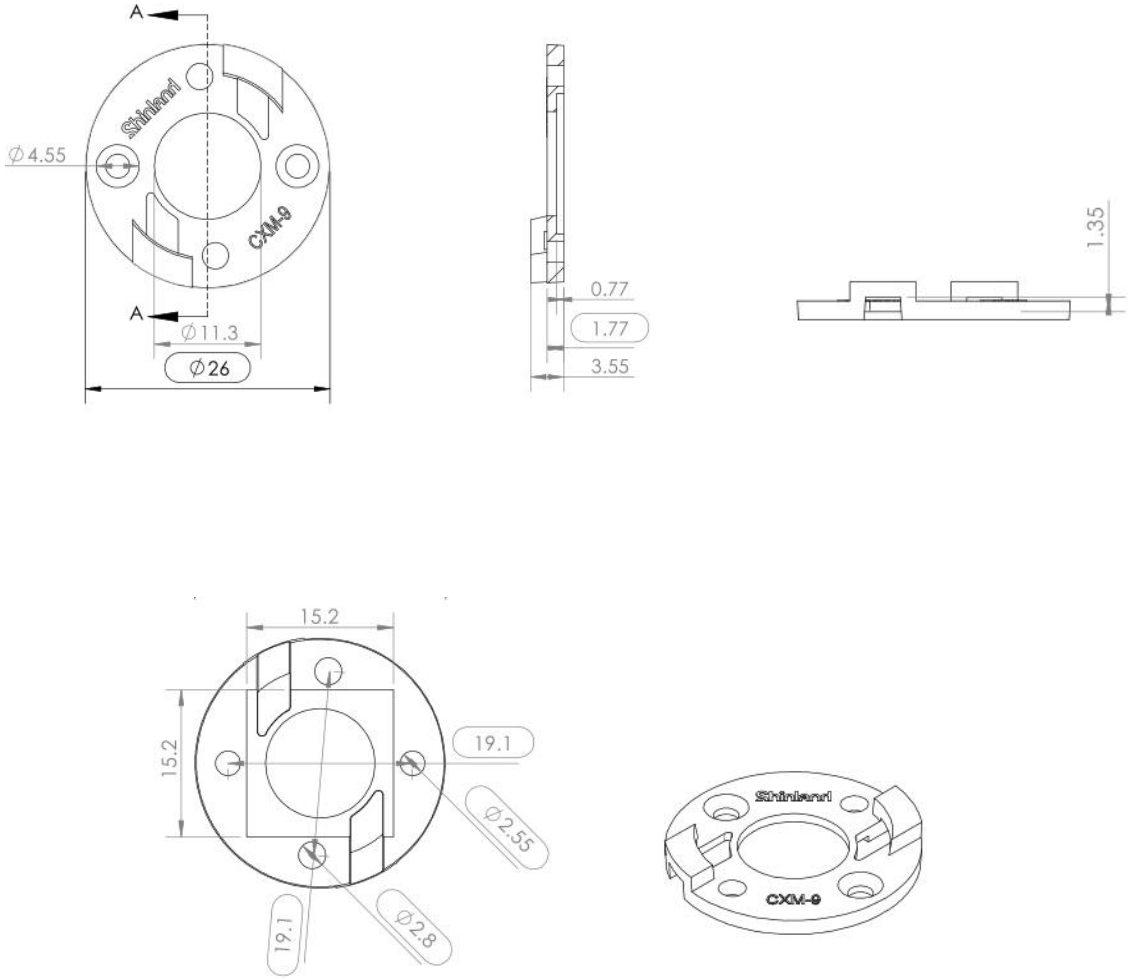
Measure Unit: mm



Dimensional Figure

SL-CXM-9-HD-A

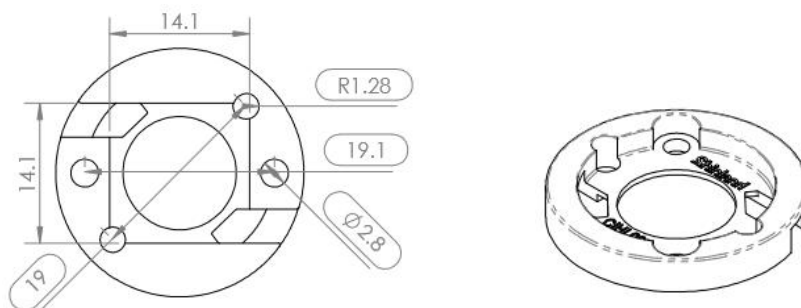
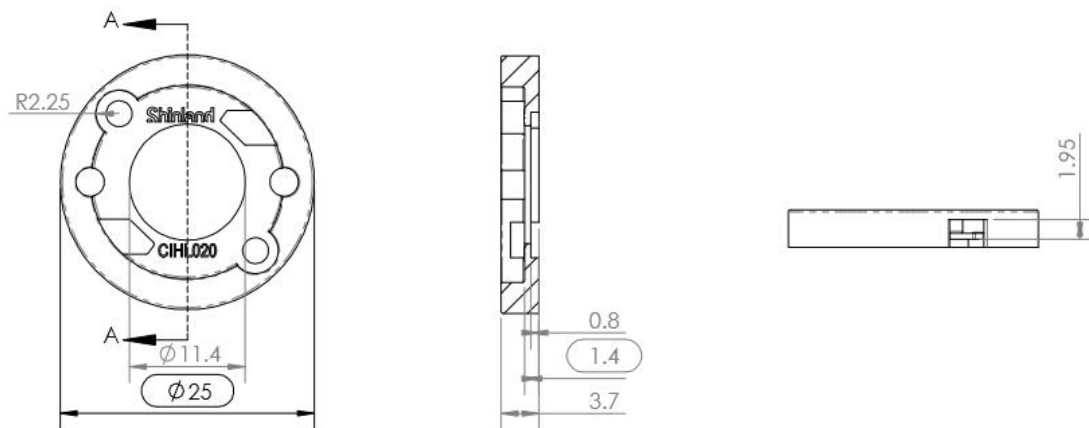
Measure Unit: mm



Dimensional Figure

SL-CLL020-HD-A

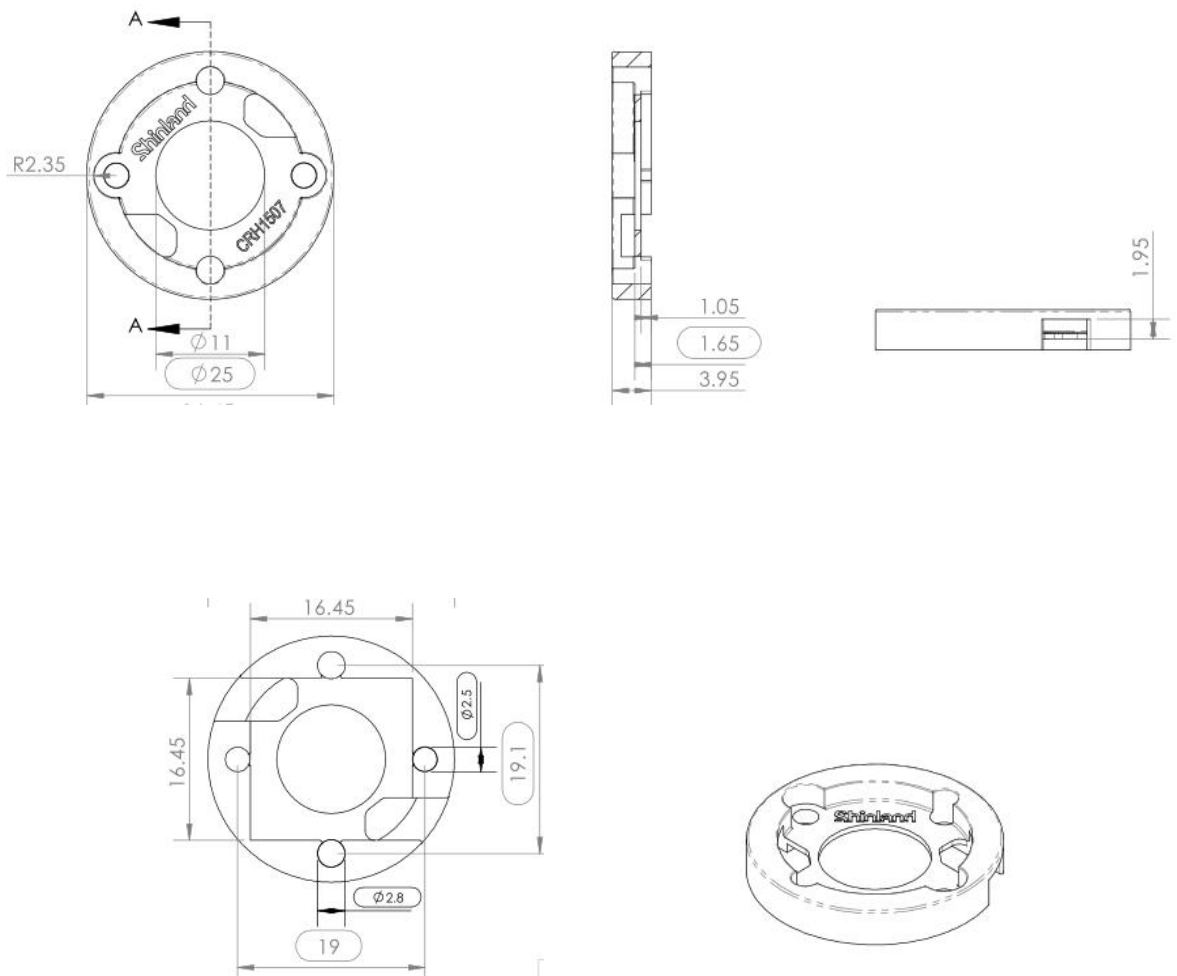
Measure Unit: mm



Dimensional Figure

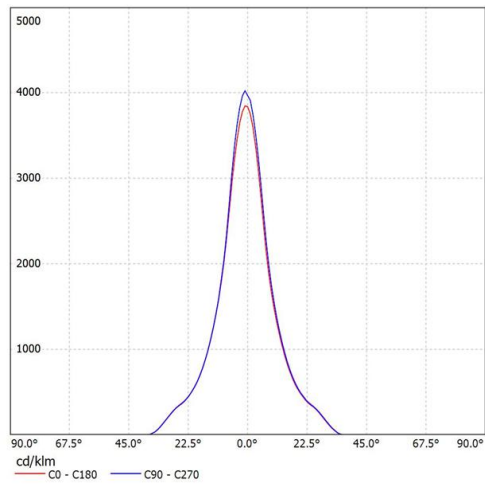
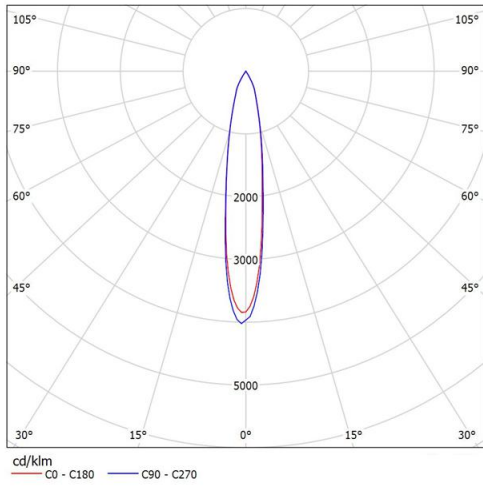
SL-CXA15-HD-A

Measure Unit: mm

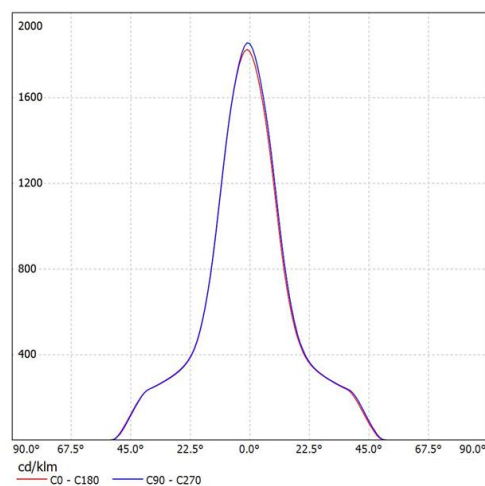
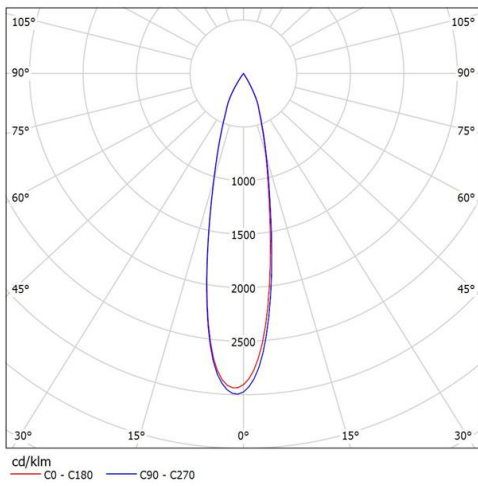


Distribution Curve Flux

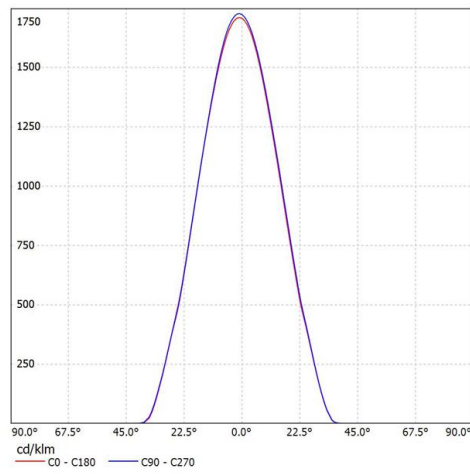
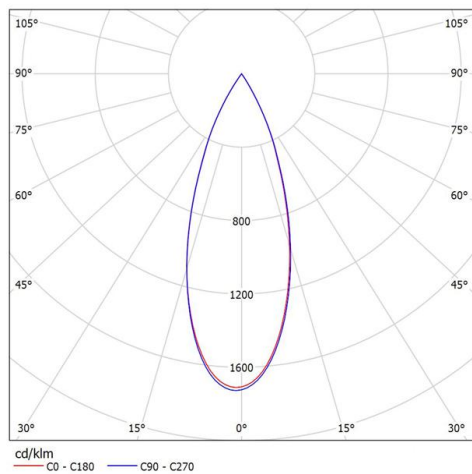
SL-045A&SL-CXM-9-HD-A



SL-04515A
K:3.06cd/lm,LED:CXM-9



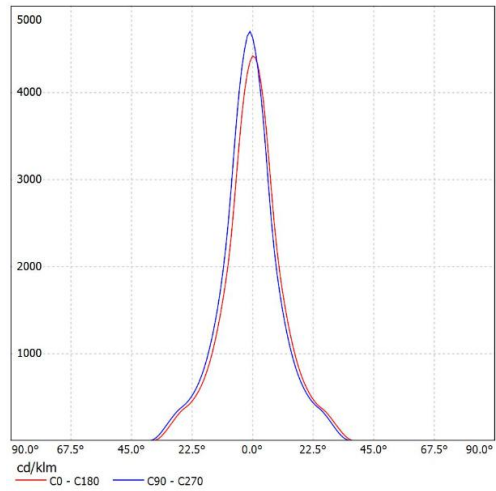
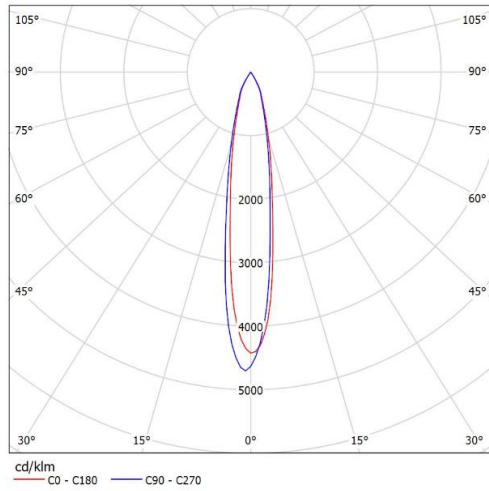
SL-04524A
K:3.06cd/lm,LED:CXM-9



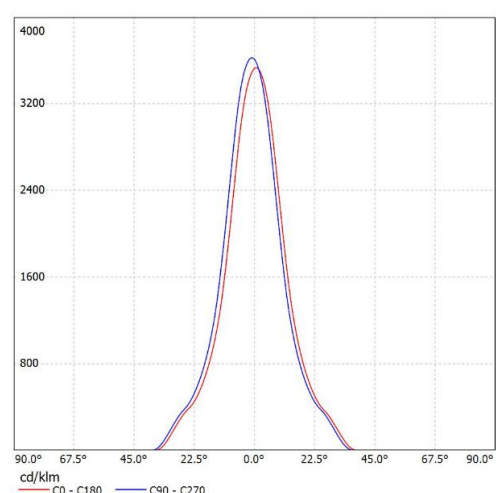
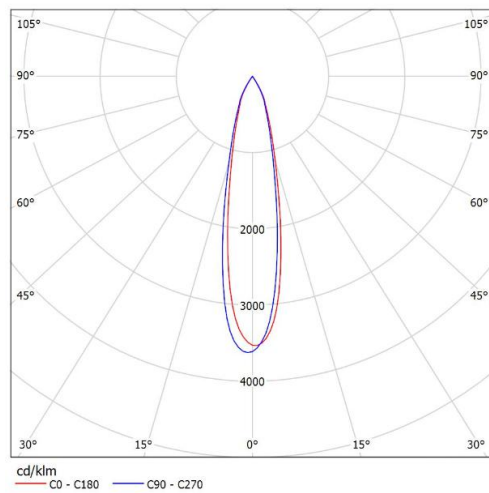
SL-04538A
K:3.06cd/lm,LED:CXM-9

Distribution Curve Flux

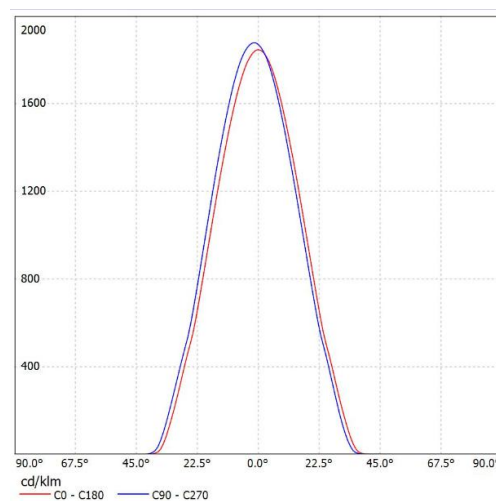
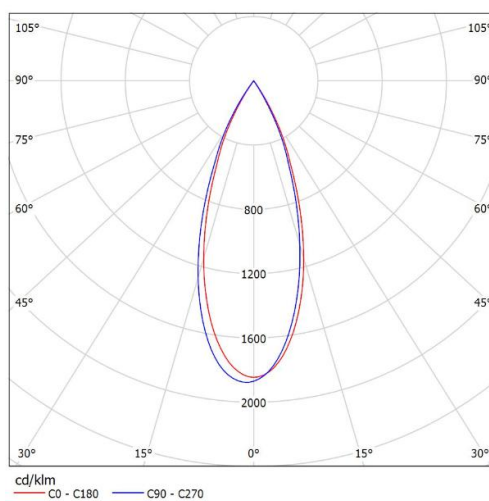
SL-045A&SL-CXA15-HD-A



SL-04515A
K:5.93cd/lm,LED:CXA1507



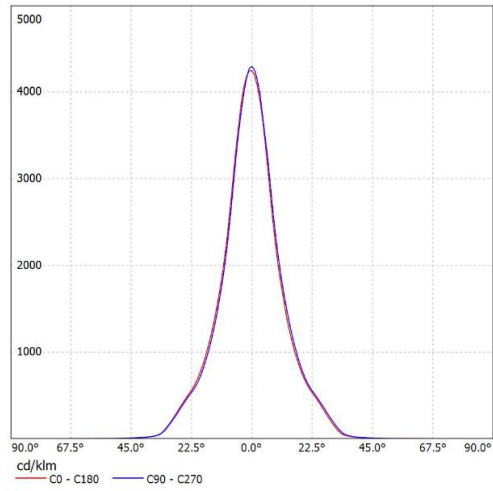
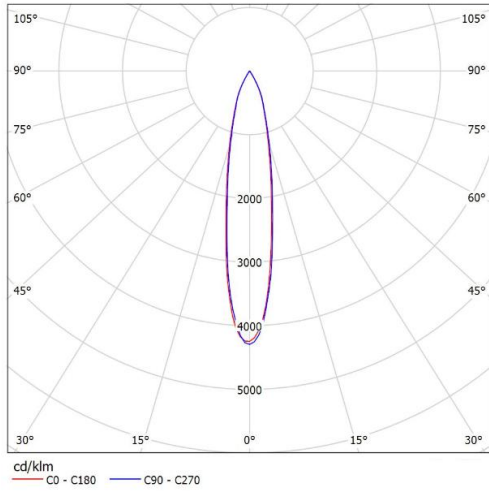
SL-04524A
K:4.61cd/lm,LED:CXA1507



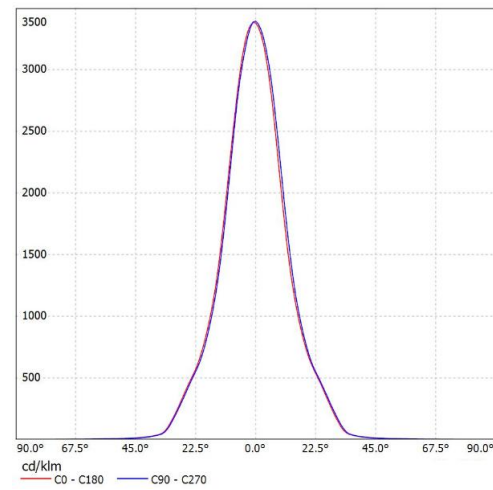
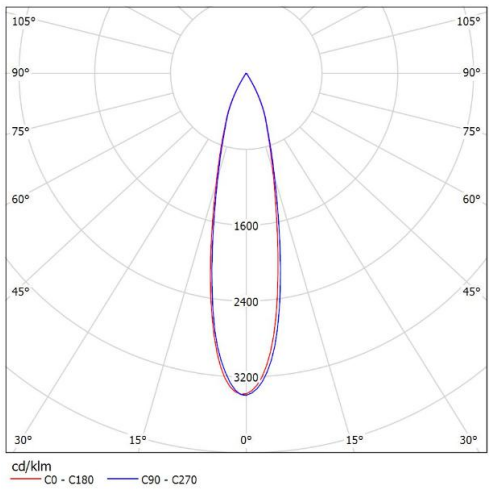
SL-04538A
K:2.42cd/lm,LED:CXA1507

Distribution Curve Flux

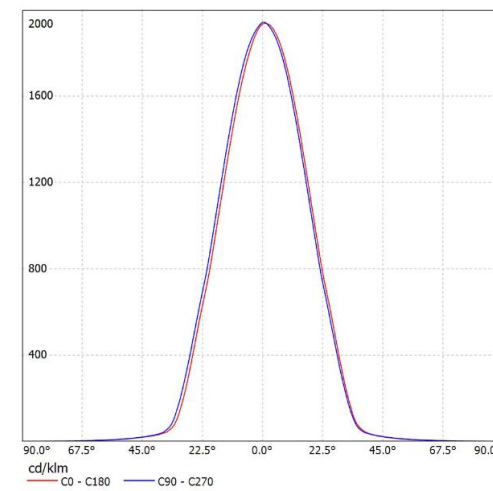
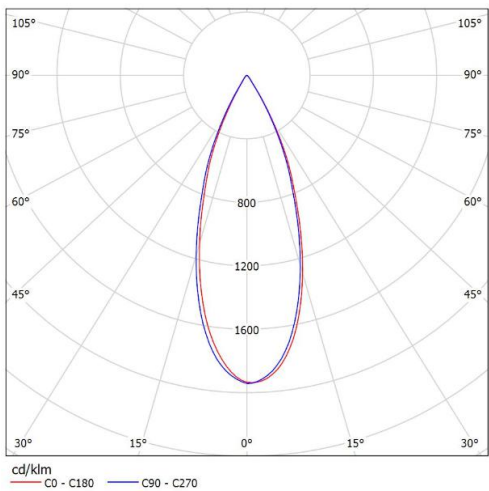
SL-045A&SL-CLL020-HD-A



SL-04515A
K:4.96cd/lm,LED:02X



SL-04524A
K:4.00cd/lm,LED:02X



SL-04538A
K:2.28cd/lm,LED:02X

Package Description

SL-045A

PART NO.	WITHOUT PC COVER		WITH PC COVER		BOX SIZE (cm)
	Number Per Box (pcs)	Box Weigh (kg)	Number Per Box (pcs)	Box Weigh (kg)	
SL-04515A	650	6.20	550	6.80	60 X 32 X 40
SL-04524A	650	6.13	550	6.75	60 X 32 X 40
SL-04538A	650	6.20	550	6.80	60 X 32 X 40

Notes

- It is not allowed to scrub the reflective surface. If there is dust on the surface, please clean by soft cotton with little water.
 - It is forbidden to clean with industrial solvent such as ethanol.
 - Storage temperature: 0°C-40°C, and humidity:30%-95%.
 - Recommended operating temperature (PC) is <100°C.
 - Keep reflectors in package to void the dust.
 - Prohibit the reflector touch with acid or alkaline solvent
-

About Shinland

Shenzhen Shinland Co. Ltd,one of the longest and most professional company in lighting optical field,have 20 years experience.Different from other factory which only have simple process, all aspects included R&D,making mold,injection molding ,vacuum coating and market support are our company own vertically integrated production .

Insisting on 'Quality First, Service First' and pragmatic, enterprising spirit,building the market by quality, casting our brand by credibility and integrity ,Shinland now become the leading supplier of lighting optical solution in China.