



Optics
Shinland

Each Ray is brighter in Shinland

SL-045C

Details

Material:	URC2500
Cover Material:	PC
Process:	Vaccum Aluminum Plating PC
MAX Diameter:	45.0mm
Height:	20.1mm
Matched Holder:	SL-HD-A/SL-HD-B
Matched Cover:	WITHOUT
ROSH Compliant:	YES
Status:	Ready

Optical Properties

Code	Typ. FWHM	Typ. Eff
SL-04524C	24°	91%
SL-04550C	50°	91%

Photo



Matched LED Source

CLU038

CLU721

CXM-18

CXA25

V18 Gen6

V18 Gen7

Vero18

Soleriq S19

1208

XTM-19

LC026B

LC033B

EDC-57C-20

EDC-57C-30

NVCxL024Z

NVExH048Z

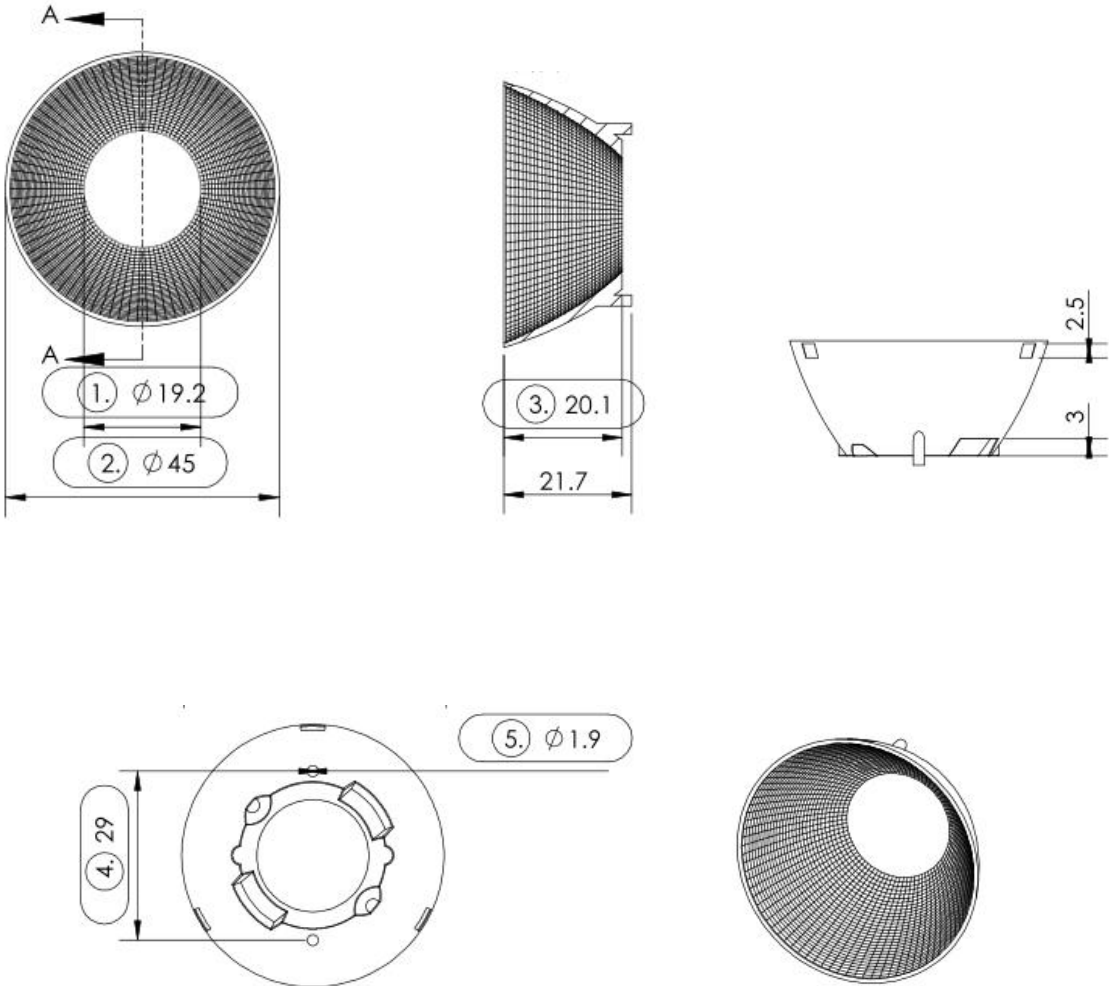
NFCxL060B

NFCxJ108B

NFDxJ130B

Dimensional Figure SL-045C

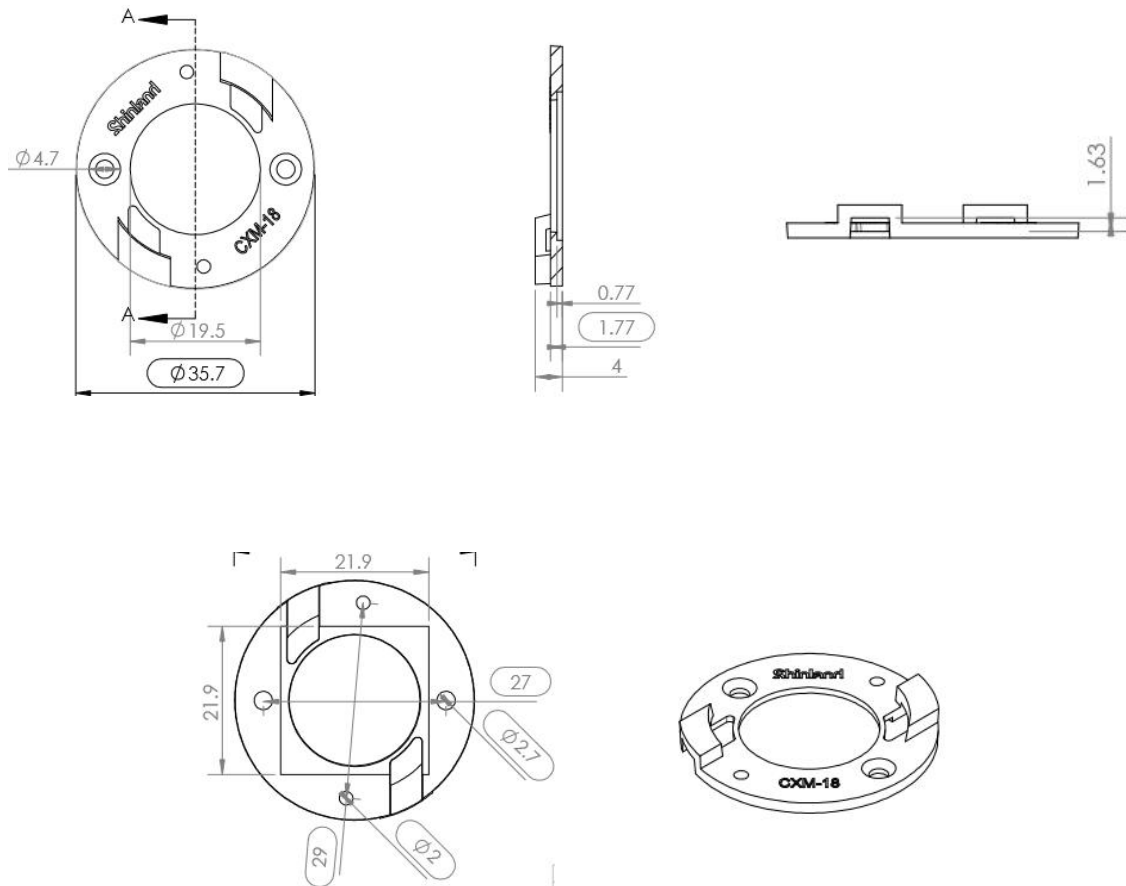
Measure Unit: mm



Dimensional Figure

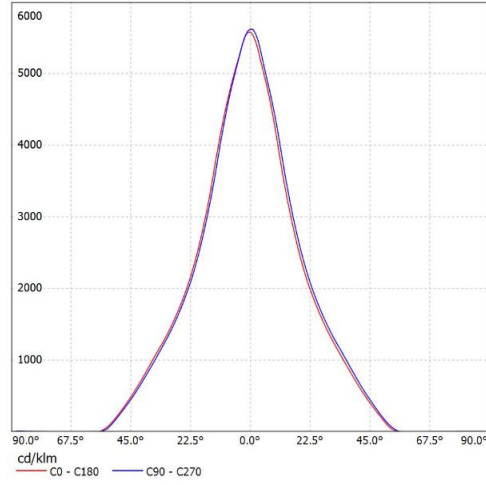
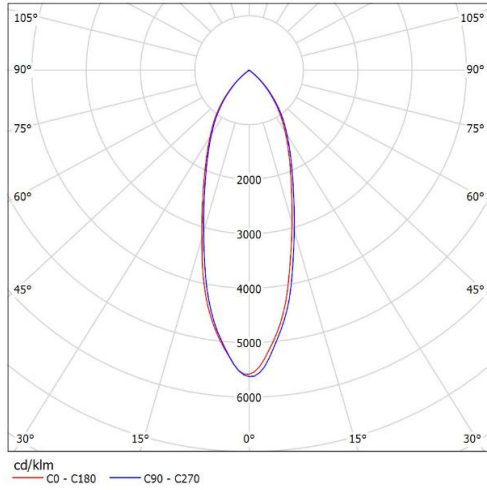
SL-CXM-18-HD-A

Measure Unit: mm

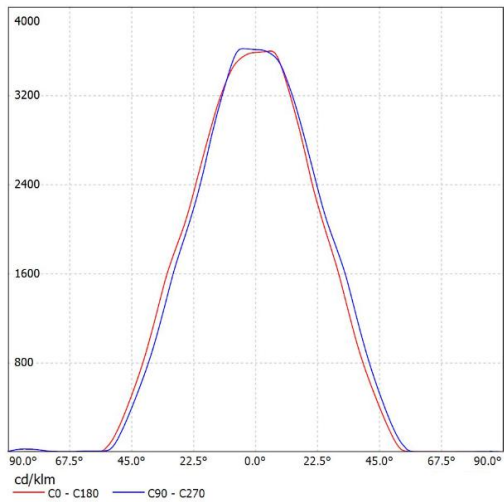
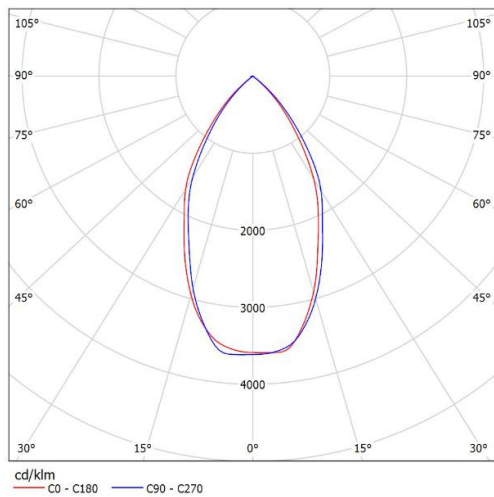


Distribution Curve Flux

SL-045C&SL-CXM-18-HD-A



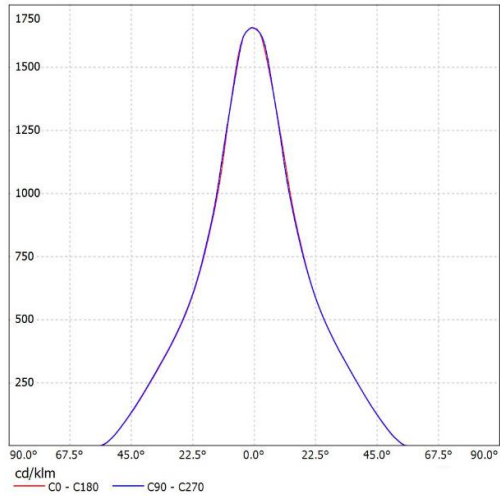
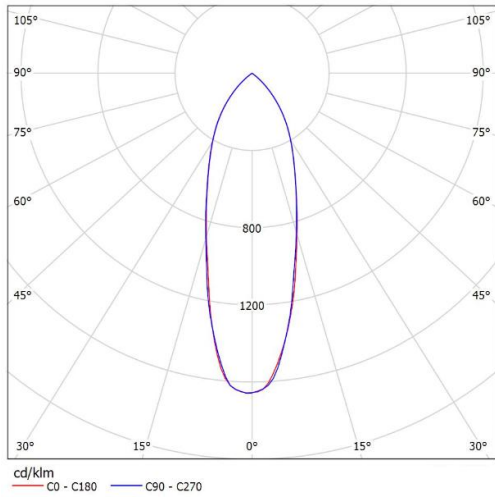
SL-04524C
K:1.73cd/lm,LED:CXM-18



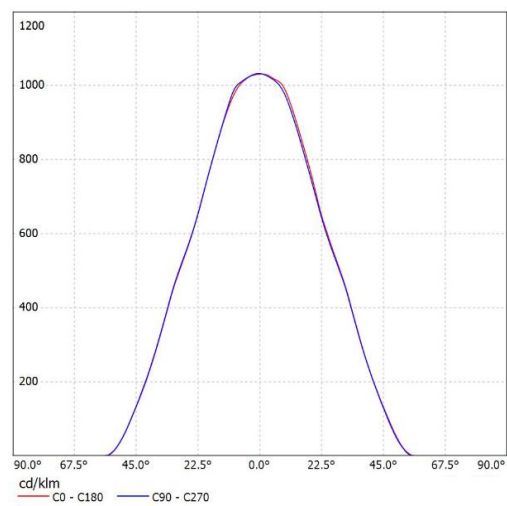
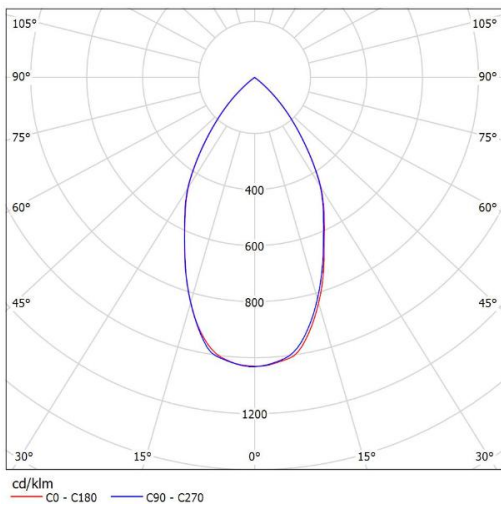
SL-04550C
K:1.10cd/lm,LED:CXM-18

Distribution Curve Flux

SL-045C&SL-CXM-18-HD-A



SL-04524C
 K:1.78cd/lm,LED:V18 Gen6



SL-04550C
 K:1.10cd/lm,LED:V18 Gen6

Package Description

SL-045C

PART NO.	WITHOUT PC COVER		WITH PC COVER		BOX SIZE (cm)
	Number Per Box (pcs)	Box Weigh (kg)	Number Per Box (pcs)	Box Weigh (kg)	
SL-04524C	750	6.0	*	*	55X 32 X 32
SL-04550C	750	5.6	*	*	55X 32 X 32

Notes

- It is not allowed to scrub the reflective surface. If there is dust on the surface, please clean by soft cotton with little water.
 - It is forbidden to clean with industrial solvent such as ethanol.
 - Storage temperature: 0°C-40°C, and humidity:30%-95%.
 - Recommended operating temperature (PC) is <100°C.
 - Keep reflectors in package to void the dust.
 - Prohibit the reflector touch with acid or alkaline solvent
-

About Shinland

Shenzhen Shinland Co. Ltd,one of the longest and most professional company in lighting optical field,have 20 years experience.Different from other factory which only have simple process, all aspects included R&D,making mold,injection molding ,vacuum coating and market support are our company own vertically integrated production .

Insisting on 'Quality First, Service First' and pragmatic, enterprising spirit,building the market by quality, casting our brand by credibility and integrity ,Shinland now become the leading supplier of lighting optical solution in China.