



Optics
Shinland

Each Ray is brighter in Shinland

SL-035A

Details

Material:	URC2500
Cover Material:	PC
Process:	Vaccum Aluminum Plating PC
MAX Diameter:	35.0mm
Height:	21.5mm
Matched Holder:	SL-HD-A
Matched Cover:	SL-035-CLEAR-LENS/SL-035-MIXING-LENS
ROSH Compliant:	YES
Status:	Ready

Optical Properties

Code	Typ. FWHM	Typ. Eff
SL-03515A	15°	90%
SL-03524A	24°	90%
SL-03536A	36°	90%

Matched LED Source

CLU701

CXM-6

CHM-6

CXA13

V6

blx C6

VestaTW6

LC010C

NJCxS024Z

NTCxS024B

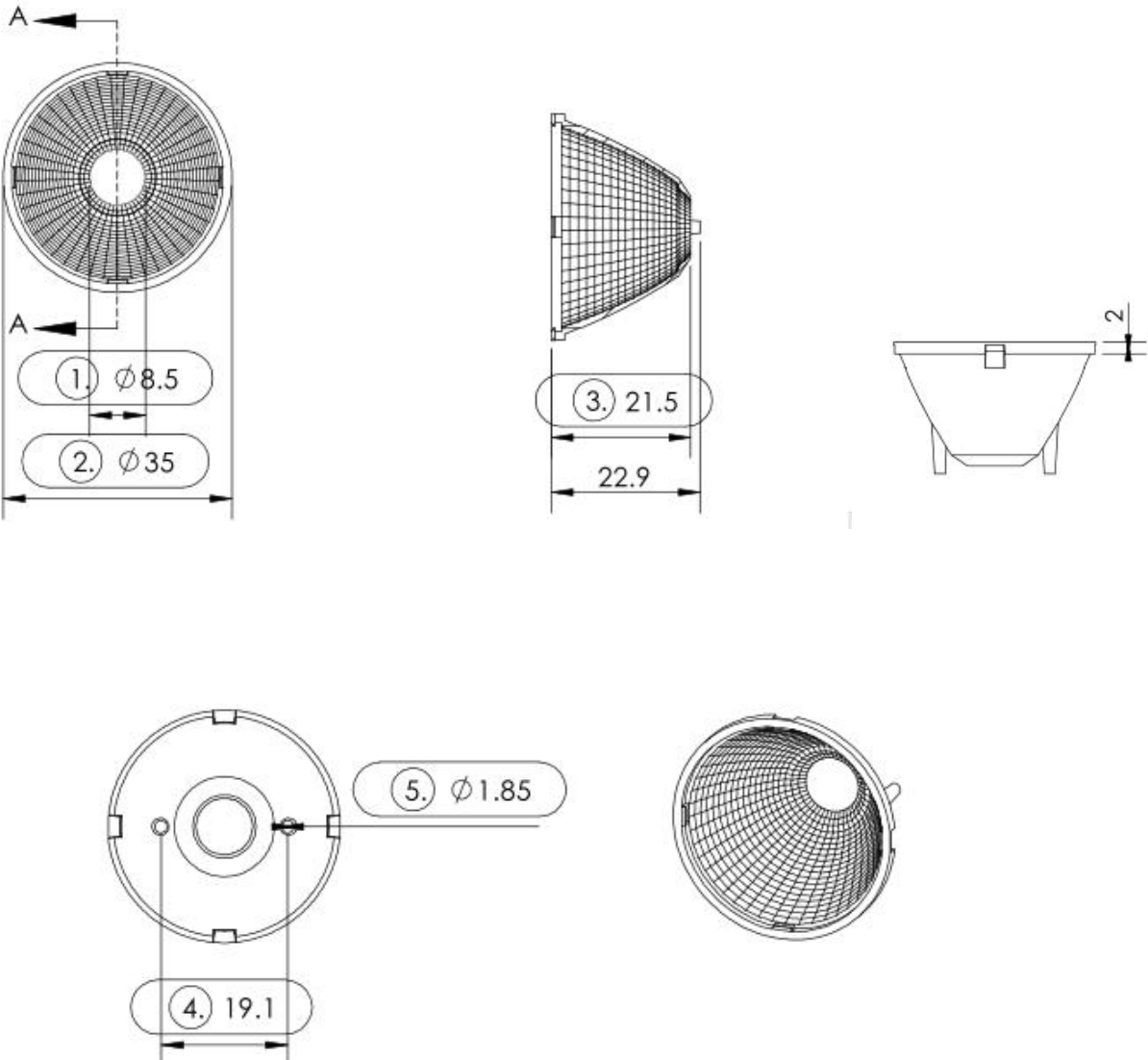
Photo



Dimensional Figure

SL-035A

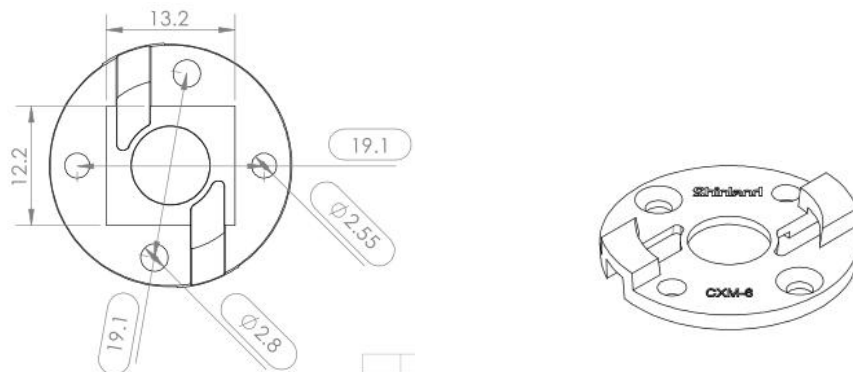
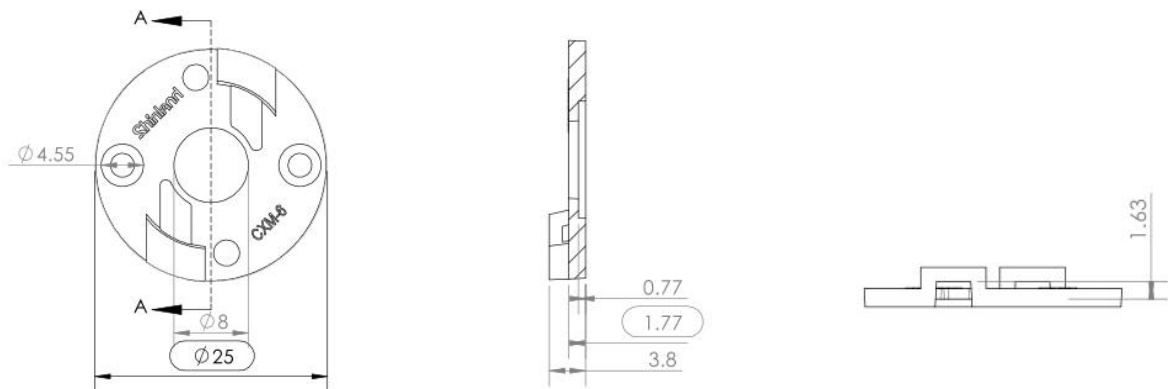
Measure Unit: mm



Dimensional Figure

SL-CXM-6-HD-A

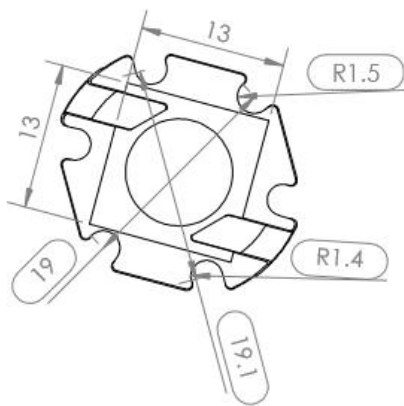
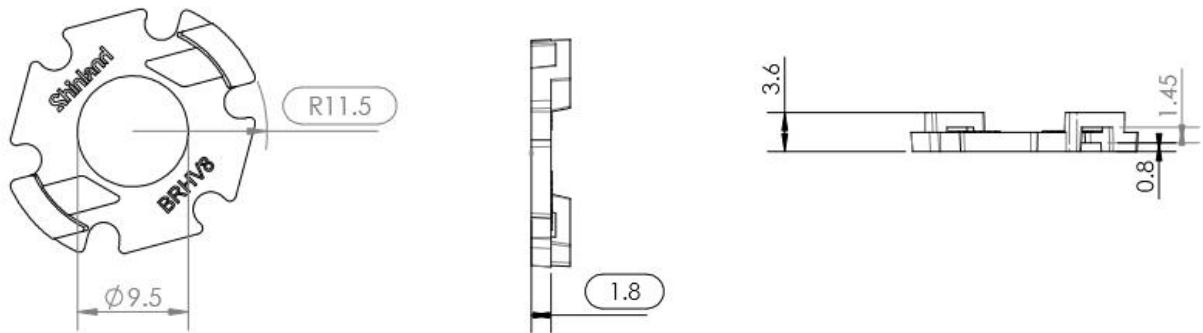
Measure Unit: mm



Dimensional Figure

SL-BRH-V8-HD-A

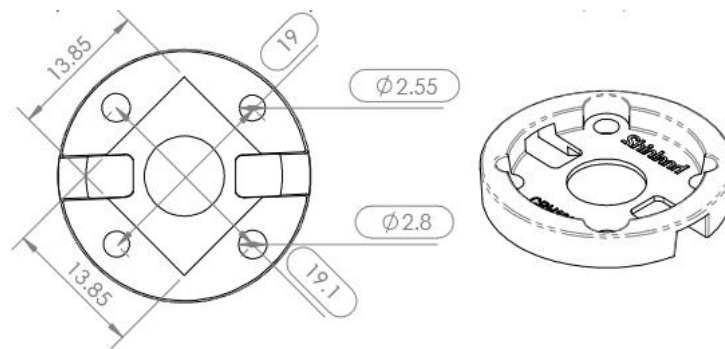
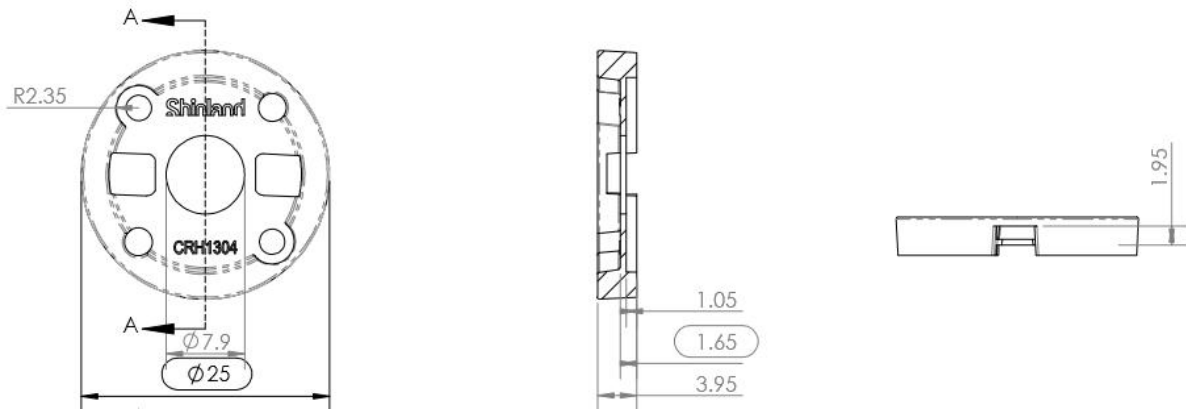
Measure Unit: mm



Dimensional Figure

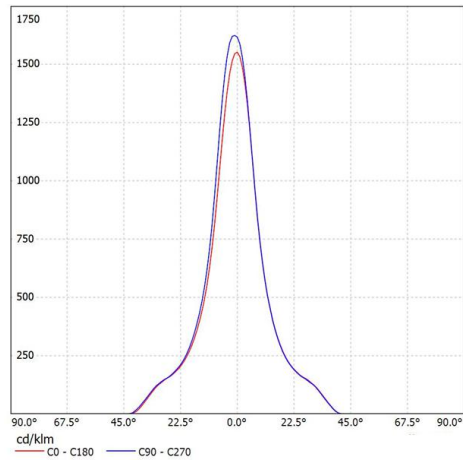
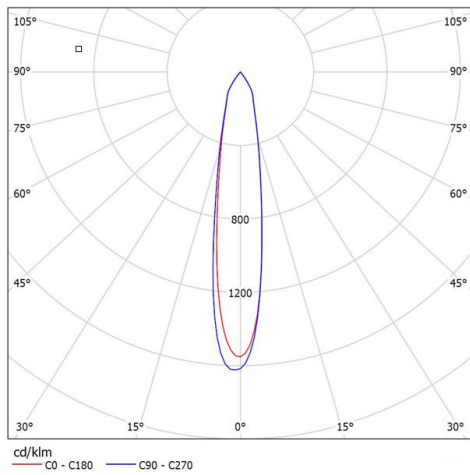
SL-CXA1304-HD-A

Measure Unit: mm

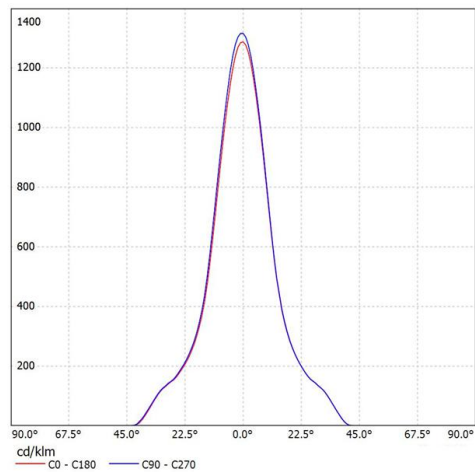
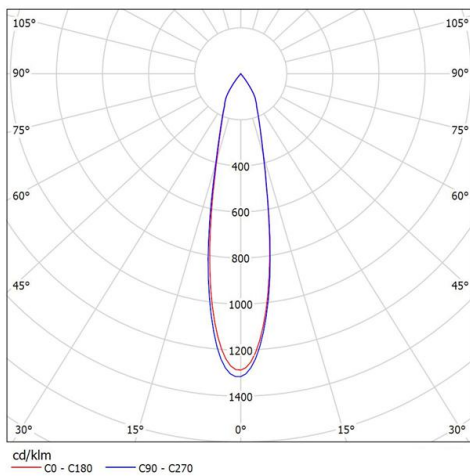


Distribution Curve Flux

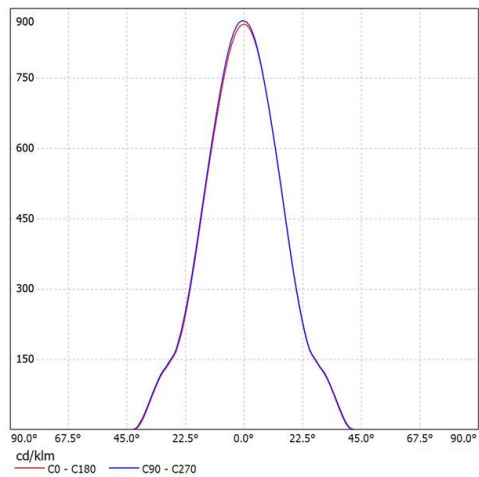
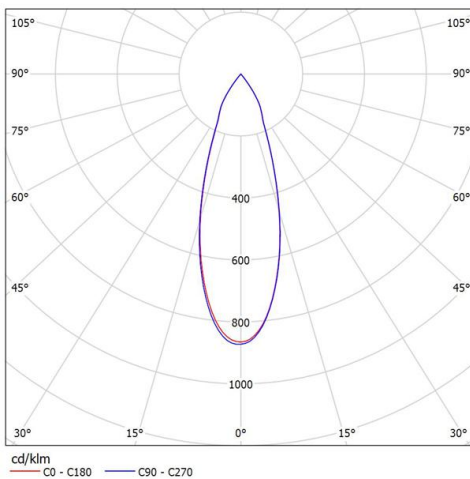
SL-035A&SL-CXM-6-HD-A



SL-03515A
K:4.79cd/lm,LED:CXM-6



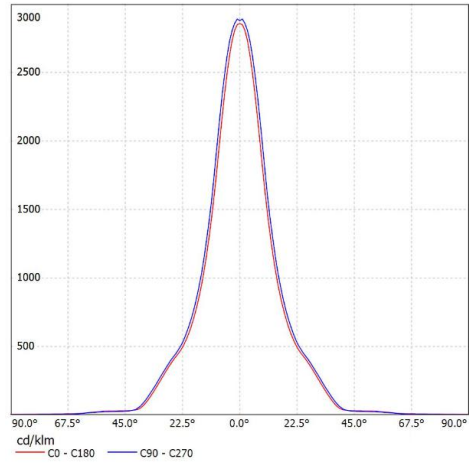
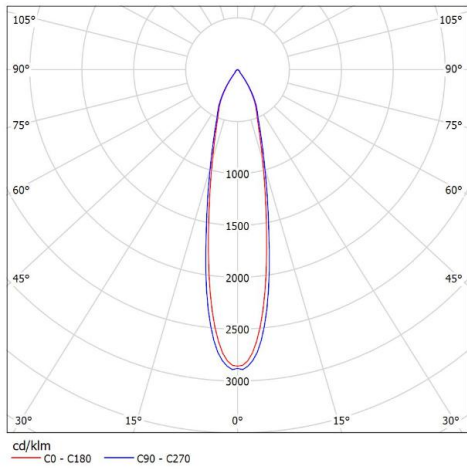
SL-03524A
K:3.88cd/lm,LED:CXM-6



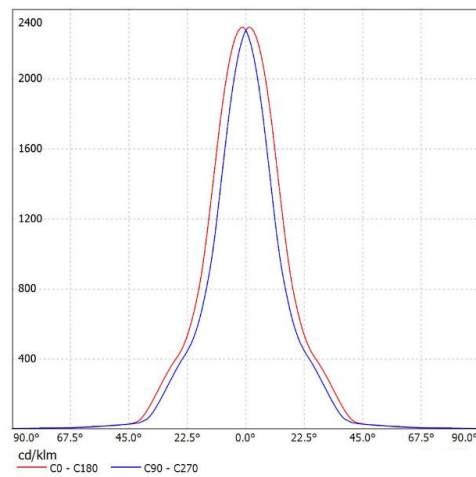
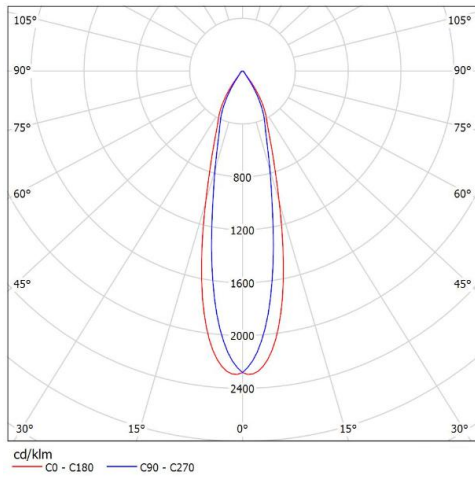
SL-03536A
K:2.55cd/lm,LED:CXM-6

Distribution Curve Flux

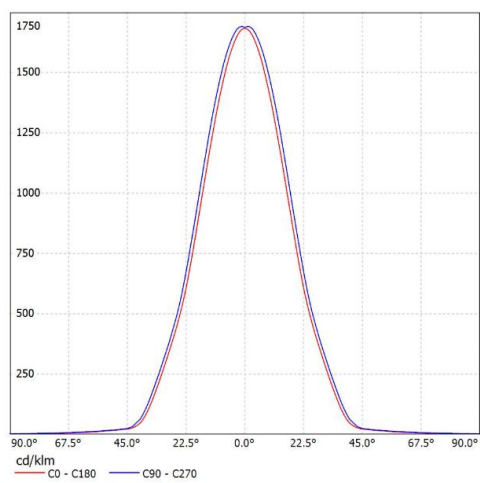
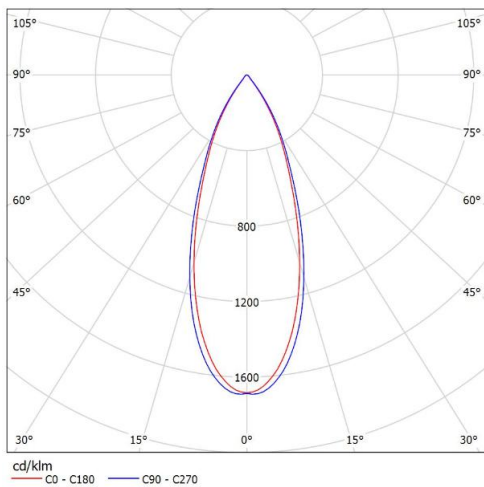
SL-035A&SL-BRH-V8-HD-A



SL-03515A
K:3.50cd/lm,LED:V8



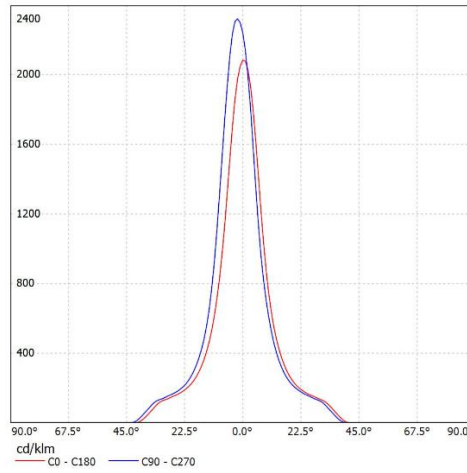
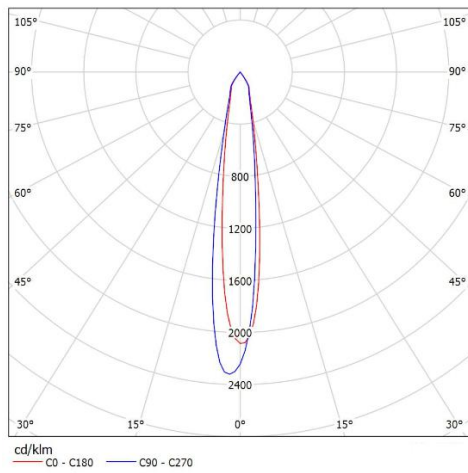
SL-03524A
K:2.87cd/lm,LED:V8



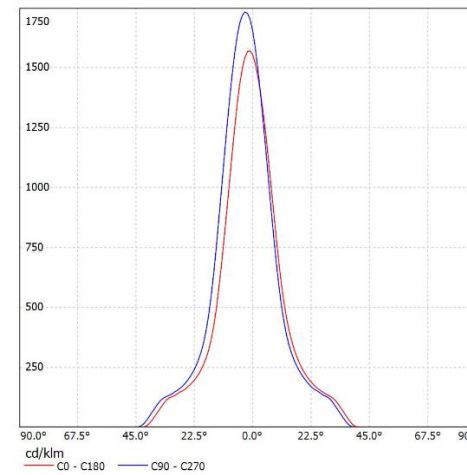
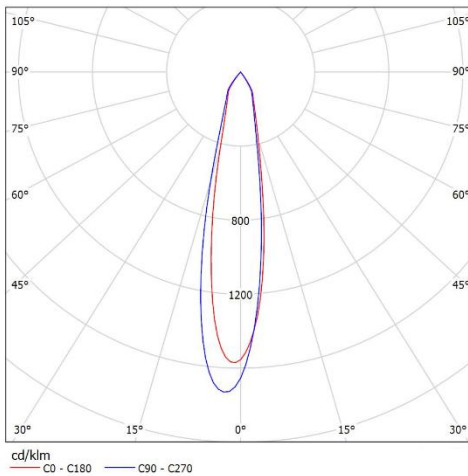
SL-03536A
K:2.06cd/lm,LED:V8

Distribution Curve Flux

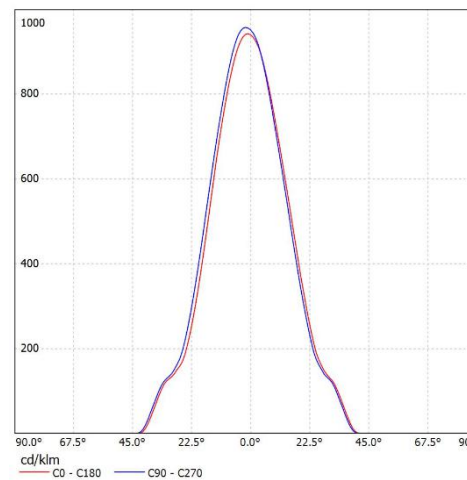
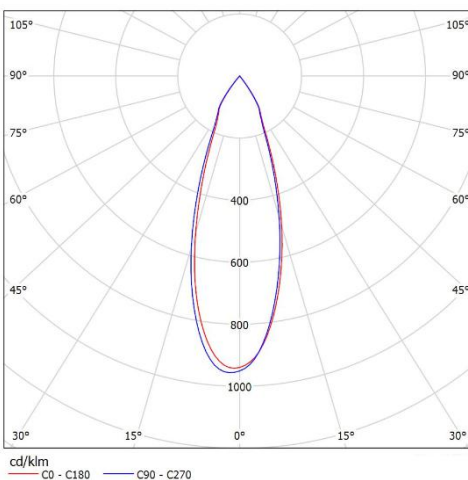
SL-035A&SL-CXA1304-HD-A



SL-03515A
K:6.30cd/lm,LED:CXA1304



SL-03524A
K:4.70cd/lm,LED:CXA1304



SL-03536A
K:2.57cd/lm,LED:CXA1304

Package Description

SL-035A

PART NO.	WITHOUT PC COVER		WITH PC COVER		BOX SIZE (cm)
	Number Per Box (pcs)	Box Weigh (kg)	Number Per Box (pcs)	Box Weigh (kg)	
SL-03515A	1008	4.03	936	5.08	55 X 32 X 32
SL-03524A	1008	3.93	936	4.93	55 X 32 X 32
SL-03536A	1008	4.00	936	5.05	55 X 32 X 32

Notes

- It is not allowed to scrub the reflective surface. If there is dust on the surface, please clean by soft cotton with little water.
 - It is forbidden to clean with industrial solvent such as ethanol.
 - Storage temperature: 0°C-40°C, and humidity:30%-95%.
 - Recommended operating temperature (PC) is <100°C.
 - Keep reflectors in package to void the dust.
 - Prohibit the reflector touch with acid or alkaline solvent
-

About Shinland

Shenzhen Shinland Co. Ltd,one of the longest and most professional company in lighting optical field,have 20 years experience.Different from other factory which only have simple process, all aspects included R&D,making mold,injection molding ,vacuum coating and market support are our company own vertically integrated production .

Insisting on 'Quality First, Service First' and pragmatic, enterprising spirit,building the market by quality, casting our brand by credibility and integrity ,Shinland now become the leading supplier of lighting optical solution in China.